

18" Stainless Steel Panel for External Dispenser -Flat
TFL18ID800



Product Features

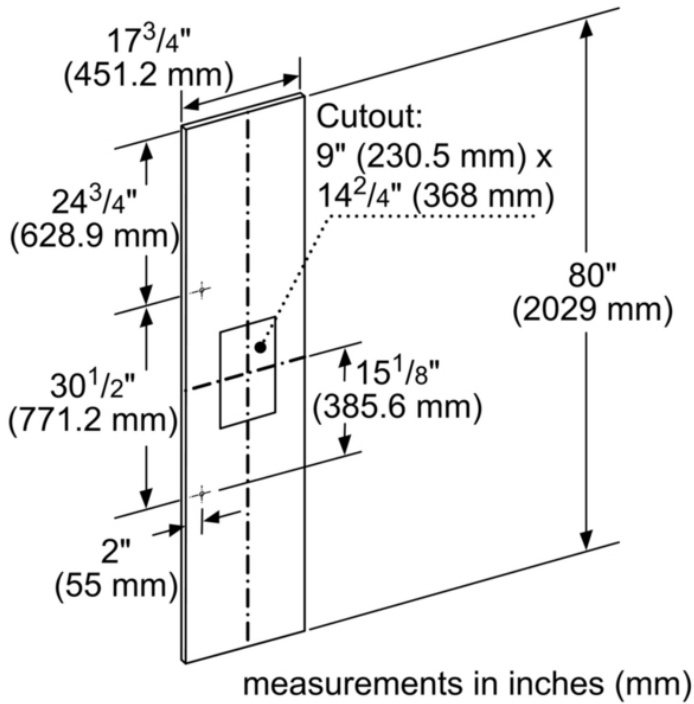


Notes: Please refer to installation instructions. Installation instructions are available at www.thermador.com. Specifications are correct at the time of printing. Thermador reserves the right to change product specifications and design at any time, without notice.

1 800 735 4328 | WWW.THERMADOR.COM | 1901 Main Street, Suite 600 Irvine, CA 92614

©2023 BSH HOME APPLIANCES CORPORATION, ALL RIGHTS RESERVED LITHO DATE: 06/2023

18" Stainless Steel Panel for External Dispenser -Flat
TFL18ID800



Product Features

Product group	Accessory
Brand	Thermador
SKU	TFL18ID800
Internal article number	00000000000710971
EAN code	825225801177
Product packaging dimensions (HxWxD)	4.09 x 85.43 x 27.24
Net weight	21.000
Gross weight	40.000
Standard number of units per pallet	12
UPC code	825225801177
Product image	MCSA01996610_H4144_TFL18ID800_1393173_cmyl

Technical Specification

Notes: Please refer to installation instructions. Installation instructions are available at www.thermador.com. Specifications are correct at the time of printing. Thermador reserves the right to change product specifications and design at any time, without notice.

1 800 735 4328 | WWW.THERMADOR.COM | 1901 Main Street, Suite 600 Irvine, CA 92614

©2023 BSH HOME APPLIANCES CORPORATION, ALL RIGHTS RESERVED LITHO DATE: 06/2023