

# MD24WS

## 24-INCH MICRODRAWER® MICROWAVE

MASTERPIECE® & PROFESSIONAL SERIES



### FEATURES & BENEFITS

- Spacious 1.2 cu. ft. interior fits a 20 oz. cup or a 13" x 9" pan
- Achieve a perfectly flush installation in any standard depth cabinetry
- Our MicroDrawer® includes a special sensor mode that controls humidity and automatically adjusts cooking level and time
- 10 cooking modes that include melt, warm and soften
- Touch "open" and "close" eliminates the need for a handle

### GENERAL PROPERTIES

Cavity Color	White
Microwave Power (W)	950 W

### CAPACITY

Cavity Capacity (cu. ft.)	1.2 cu. ft.
Turntable Diameter (in.)	N/A

### TECHNICAL DETAILS

Watts (W)	1,500 W
Circuit Breaker (A)	15 A
Volts (V)	120 V
Frequency (Hz)	60 Hz
Plug Type	120V-3 Prong
Power Cord Length (in.)	48"

### DIMENSIONS & WEIGHT

Overall Appliance Dimensions (HxWxD) (in.)	16 5/16" x 23 7/8" x 23 3/8"
Required Cutout Size (HxWxD) (in) – Standard Install	14 13/16" x 22 1/8" x 23 1/2"
Required Cutout Size (HxWxD) (in) – Flush Install	16 5/8" x 24 3/16" x 23 1/2"
Net Weight (lbs)	81 lbs.

### ACCESSORIES (INCLUDED)

N/A

### WARRANTY

Limited Warranty, Entire Appliance, Parts and Labor	2 Year
---	--------

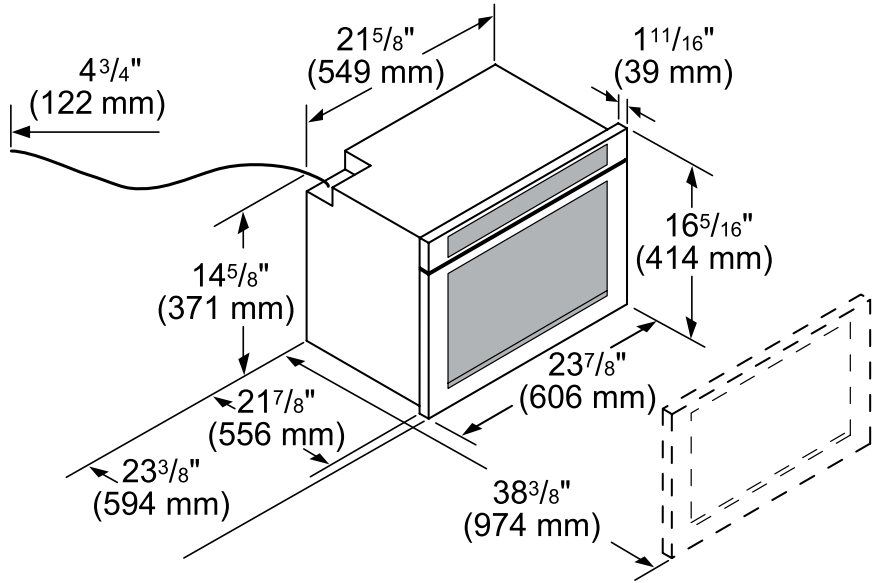
# MD24WS

## 24-INCH MICRODRAWER® MICROWAVE

MASTERPIECE® & PROFESSIONAL SERIES



### PRODUCT DIMENSIONS



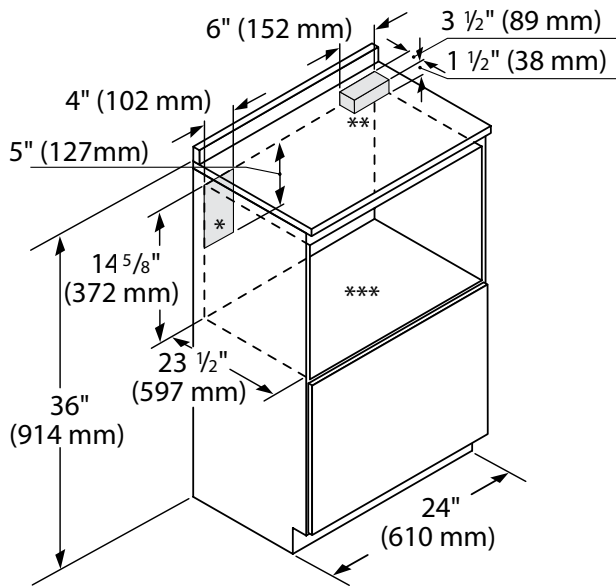
# MD24WS

## 24-INCH MICRODRAWER® MICROWAVE

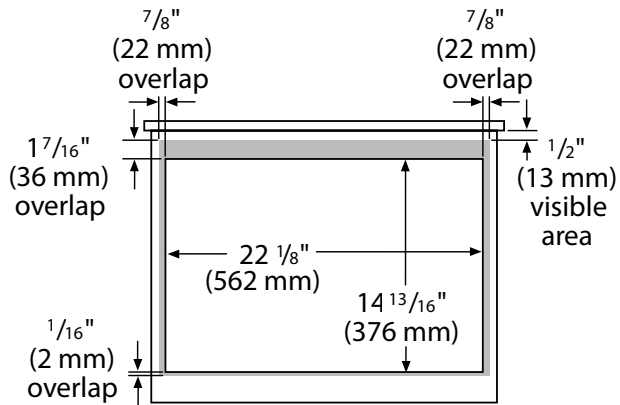
MASTERPIECE® & PROFESSIONAL SERIES



### STANDARD INSTALLATION

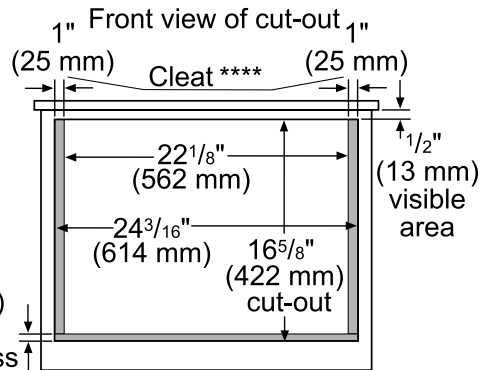
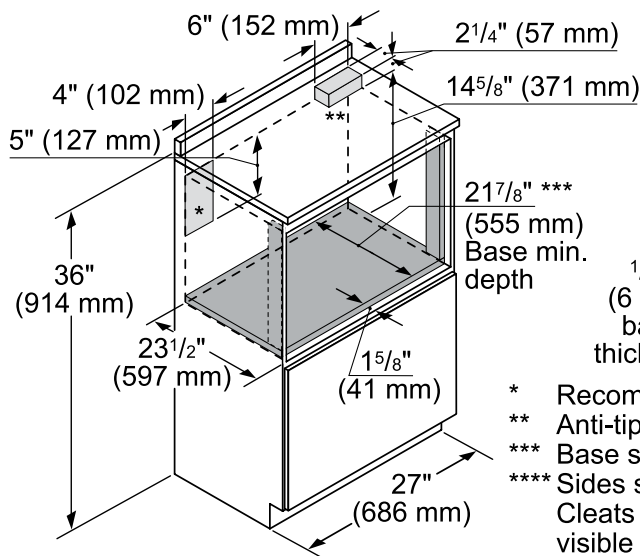


Frontview cut out



- \* Suggested location of electrical outlet
- \*\* Anti-Tip Block
- \*\*\* Base should support up to 100 lbs

### FLUSH INSTALLATION



- \* Recommended location of electrical outlet
- \*\* Anti-tip block
- \*\*\* Base should support up to 100 lbs
- \*\*\*\* Sides should be finished and extend back to cleat. Cleats should also be finished, as they may be visible after installation.

These warranties give you specific legal rights and you may have other rights that vary from state to state. Limited warranty from date of delivery. For complete warranty details, refer to your Use & Care manual, or ask your dealer.

Specifications are for planning purposes only. Refer to installation instructions and consult your countertop supplier prior to making counter opening. Consult with a heating and ventilation engineer for your specific ventilation requirements. For the most detailed information, refer to installation instructions accompanying product or write to Thermador indicating the model number. Specifications are correct at time of printing. Thermador reserves the right to change product specifications or design without notice. Some models are certified for use in Canada. Thermador is not responsible for products that are transported from the U.S. for use in Canada.