

Installation
GUIDE

CIT30XWBB CIT36XWB CT36XWBB

Freedom[®] Induction Cooktop



Table of CONTENTS

Safety Definitions	3
IMPORTANT SAFETY INSTRUCTIONS	4
Safety Codes and Standards	4
Electric Safety	4
Related Equipment Safety	4
State of California Proposition 65 Warnings	4
Before you begin	5
Tools and parts needed	5
Parts included	5
Cabinet Requirements	5
Countertop Requirements	5
Prepare Installation Space	6
Cutout dimensions for 30" cooktops	6
Cutout dimensions for 36" cooktops	6
Ventilation	7
Installation Procedure	8
Installing the heat shield	8
Secure the cooktop to countertop	8
Electrical Installation	9
Electrical requirements	9
Connect Electrical Supply	9
Check the Installation	9
Customer Service	10
THERMADOR® Support	10
Service	10
Parts and Accessories	10

This THERMADOR Appliance is made by
 BSH Home Appliances Corporation
 1901 Main Street, Suite 600
 Irvine, CA 92614

Questions?
 1-800-735-4328
 www.thermador.com

We look forward to hearing from you!

Safety Definitions

▲ WARNING

This indicates that death or serious injuries may occur as a result of non-observance of this warning.

▲ CAUTION

This indicates that minor or moderate injuries may occur as a result of non-observance of this warning.

NOTICE: This indicates that damage to the appliance or property may occur as a result of non-compliance with this advisory.

Note: This alerts you to important information and/or tips.

IMPORTANT SAFETY INSTRUCTIONS

READ AND SAVE THESE INSTRUCTIONS

IMPORTANT: The appliance must be installed by a qualified installer.

INSTALLER: please leave these instructions with this unit for the owner. Show the owner the location of the circuit breaker or fuse. Mark it for easy reference.

OWNER: Please retain these instructions for future reference.

WARNING

If the information in this manual is not followed exactly, fire or shock may result causing property damage or personal injury.

WARNING

Do not repair, replace or remove any part of the appliance unless specifically recommended in the manuals. Improper installation, service or maintenance can cause injury or property damage. Refer to this manual for guidance. All other servicing should be done by an authorized servicer.

Remove all tape and packaging before using the appliance. Destroy the packaging after unpacking the appliance. Never allow children to play with packaging material.

Hidden surfaces may have sharp edges. Use caution when reaching behind or under appliance.

This appliance is intended for use up to a maximum height of 13,100 feet (4,000 meters) above sea level. Improper installation is not covered by the warranty.

Safety Codes and Standards

This appliance complies with one or more of the following Standards:

- **UL 858, The Standard for the Safety of Household Electric Ranges**
- **UL 507, The Standard for the Safety of Electric Fans**
- **CAN/CSA-C22.2 No. 113-M1984 Fans and Ventilators**
- **CAN/CSA-C22.2 No. 61-M89 Household Cooking Ranges**

It is the responsibility of the owner and the installer to determine if additional requirements and/or standards apply to specific installations.

Electric Safety

WARNING

Before you plug in an electrical cord or turn on power supply, make sure all controls are in the OFF position.

If required by the National Electrical Code (or Canadian Electrical Code), this appliance must be installed on a separate branch circuit.

The circuit breaker should have a contact separation of at least 3 mm on all poles.

Be sure your appliance is properly installed and grounded by a qualified technician. Installation, electrical connections and grounding must comply with all applicable codes.

Before installing, turn power OFF at the service panel. Lock service panel to prevent power from being turned ON accidentally.

WARNING

IMPROPER GROUNDING CAN RESULT IN A RISK OF ELECTRIC SHOCK



Consult a qualified electrician if the grounding instructions are not completely understood, or if doubt exists as to whether the appliance is properly grounded. **DO NOT USE AN EXTENSION CORD.**

Related Equipment Safety

The appliance should only be used if installed by a qualified technician in accordance with these installation instructions. The manufacturer is not responsible for any damage resulting from incorrect installation.

Never modify or alter the construction of the appliance. For example, do not remove leveling legs, panels, wire covers or anti-tip brackets/screws.

To eliminate the risk of burns or fire by reaching over heated surface units, cabinet storage space located above the surface units should be avoided. If cabinet storage is to be provided, the risk can be reduced by installing a hood that projects horizontally a minimum of 5 inches (127 mm) beyond the bottom of the cabinet.

Verify that cabinets above the cooktop are a maximum of 13" (330 mm) deep.

DO NOT install refrigerators, dishwashers, ovens (without ventilation), or washing machines below the Cooktop.

Note: We strongly recommend the installation of a ventilation system with this appliance.

State of California Proposition 65 Warnings:

WARNING

This product can expose you to chemicals including vinyl chloride, which is known to the State of California to cause cancer and birth defects or other reproductive harm. For more information go to www.P65Warnings.ca.gov.

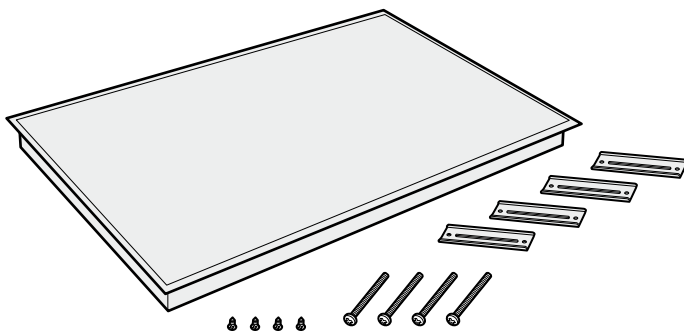
Before you begin

Tools and parts needed

- Phillips Head Screwdriver
- Pencil
- Drill with 1/4" (6 mm) bit
- Jigsaw
- Tape Measure

Note: Additional materials may be necessary for installation in solid surface countertops. Contact the countertop manufacturer.

Parts included

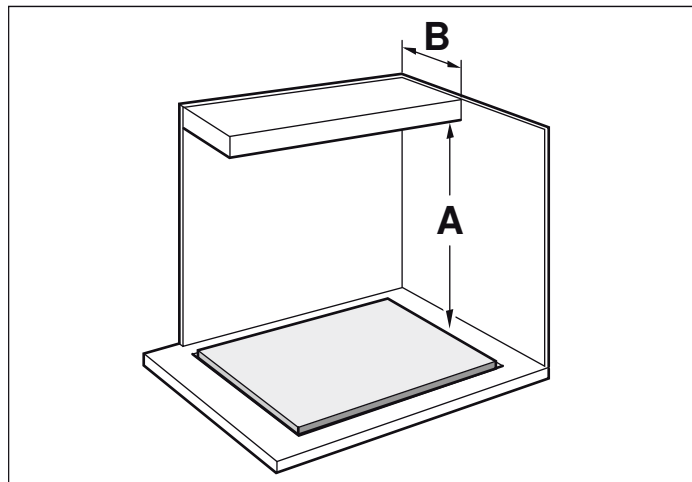


- Hold down brackets (4)
- Clamping screws #10-32 x 2 1/2" (63.8 mm) (4)
- Sheet metal screws #8 x 3/8" (9.5 mm) (4)

Cabinet Requirements

The distance from the top of the cooktop to the bottom of cabinets above must be a minimum of A=30" (762 mm) min. This distance can be reduced to A=24" (610 mm) when the bottom of the wood or metal cabinet is protected by not less than 1/4" (6.35 mm) flame-retardant millboard covered with not less than no. 28 gauge sheet metal, 0.015" (0.4 mm) stainless steel, 0.024" (0.6 mm) aluminum or 0.020" (0.5 mm) copper.

Verify that the cabinets above the cooktop are a maximum of B=13" (330 mm) deep.



Countertop Requirements

▲ WARNING

To reduce the risk of ignition of surrounding combustible materials, install at least 2" (51 mm) from both sidewalls and the rear wall.

The countertop must be level and horizontal. The stability of the countertop must be maintained after the cut-out has been made.

Solid surface countertops often require special installations. For example, heat-reflective tape and rounded corners may be necessary. Contact the countertop manufacturer for instructions specific to your countertop.

Prepare Installation Space

Create the cut-out in the countertop according to the installation diagram. The angle of the cut surface to the countertop must be 90°.

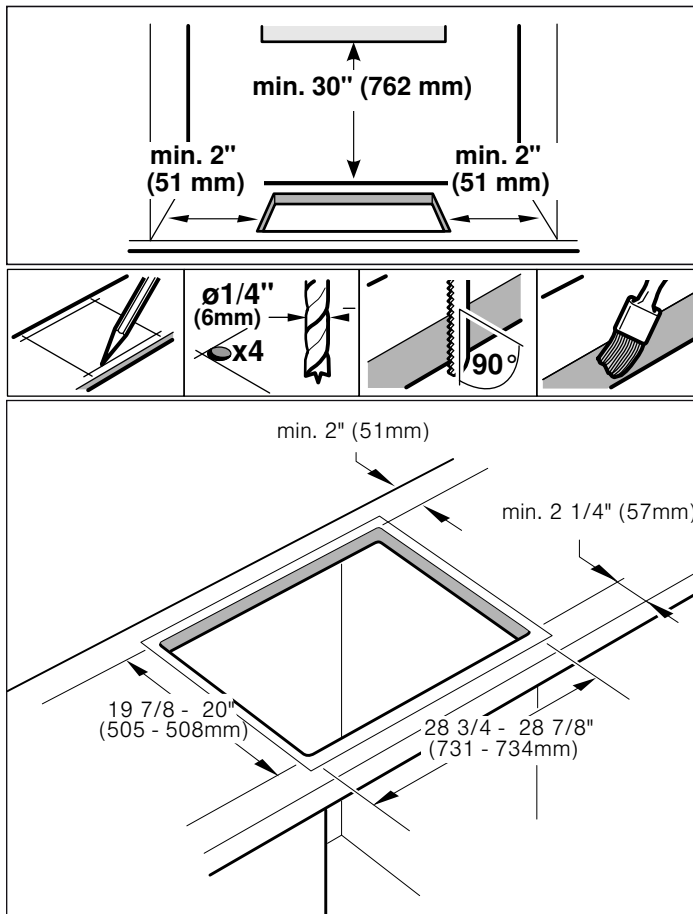
The lateral cut-out edges must be flat in order to ensure that the retaining springs are positioned properly on the appliance. With multi-layered countertops, secure strips laterally in the cut-out if necessary.

After creating cut-out, remove shavings. Seal cut surfaces in a heat- and water-resistant manner.

Observe minimum distance between device underside and cabinet surfaces of $\frac{3}{8}$ " (10 mm).

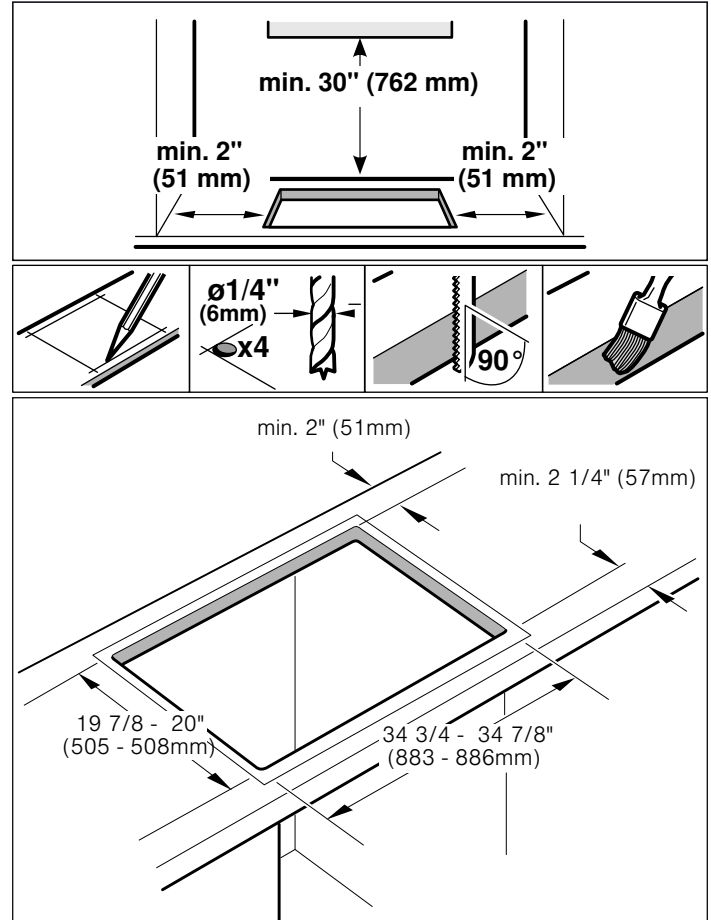
Cutout dimensions for 30" cooktops

Model: CIT30XWBB



Cutout dimensions for 36" cooktops

Model: CIT36XWB, CIT36XWBB

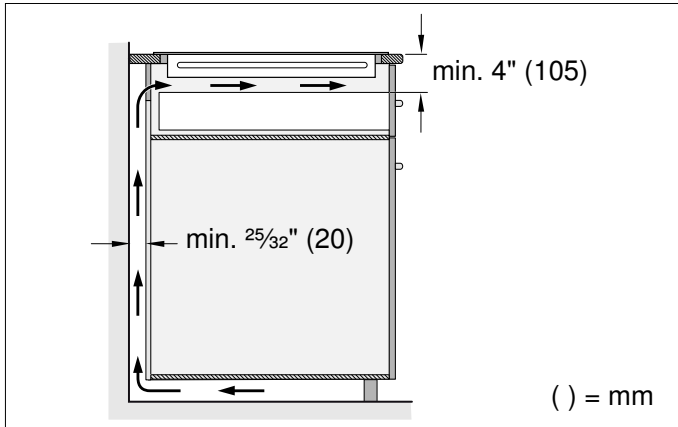


Ventilation

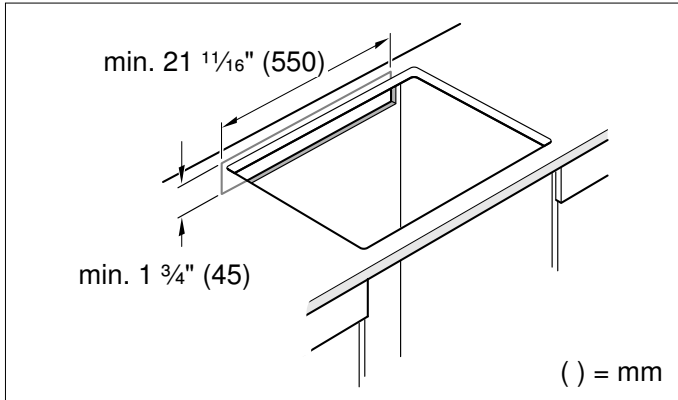
To assure that the appliance works correctly, the cooktop **MUST** be sufficiently ventilated.

Since the ventilation in the lower section of the appliance requires a sufficient supply of fresh air, the cabinet must be designed accordingly. The following is required for this:

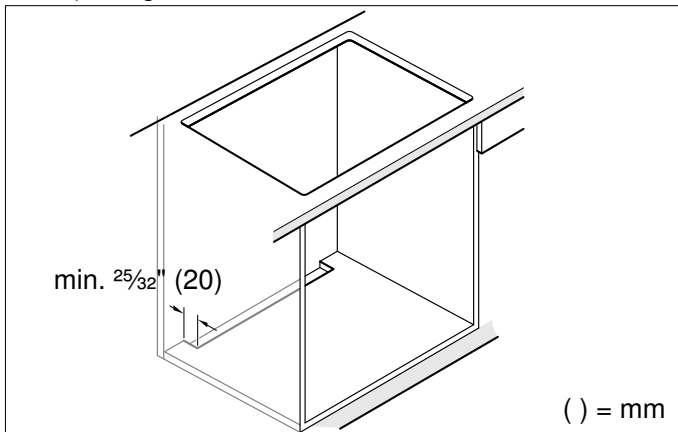
- A minimum clearance between the rear of the cupboard and the kitchen wall, and between the surface of the worktop and the upper area of the drawer.



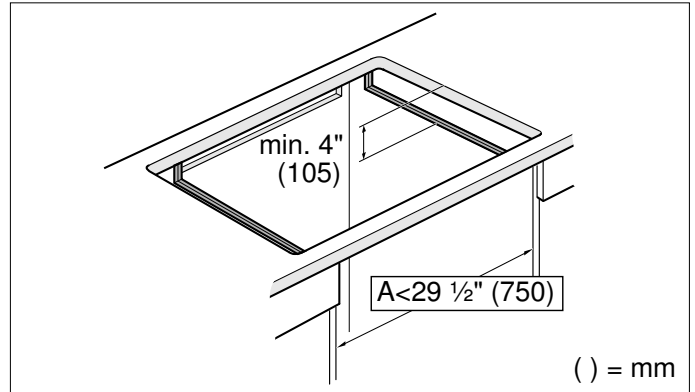
- An opening at the top to the rear of the cupboard.



- If the minimum clearance of 25/32 inch (20 mm) is not provided at the rear of the cupboard, you must create an opening on the underside.



- If the inside of the cupboard is no wider than 29 1/2 inch (750 mm), make cutouts in the side panels.



Note: If the appliance is installed in an island unit or another installation that is not described here, you must ensure that the cooktop is sufficiently ventilated.

Installation Procedure

⚠ CAUTION

Sharp edges. Use protective gloves when installing the cooktop.

Note: The appliance is heavy. It is advisable to install it with a second person.

Installing the heat shield

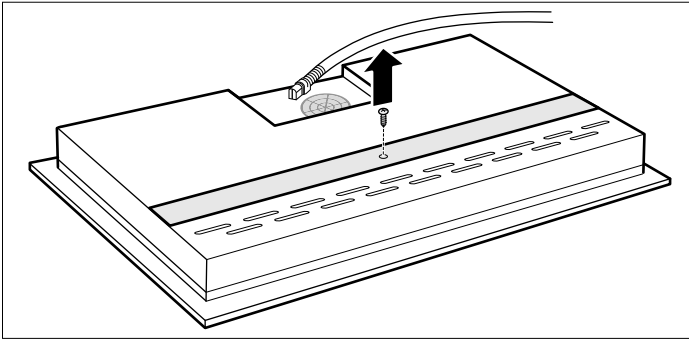
⚠ CAUTION

Sharp edges. Use protective gloves when installing the plate.

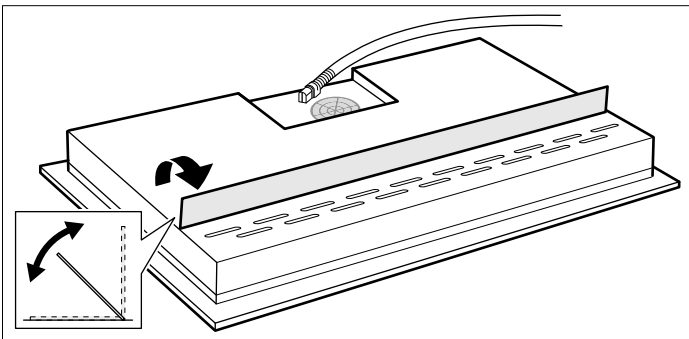
For safety reasons, the heat shield must be properly installed when closed cabinets are used. This prevents components from overheating as a result of the recirculation of hot air from the cooktop.

The heat shield is the same width as the cooktop. For shipping, it is screwed to the burner box.

After unpacking the cooktop, unscrew the heat shield.



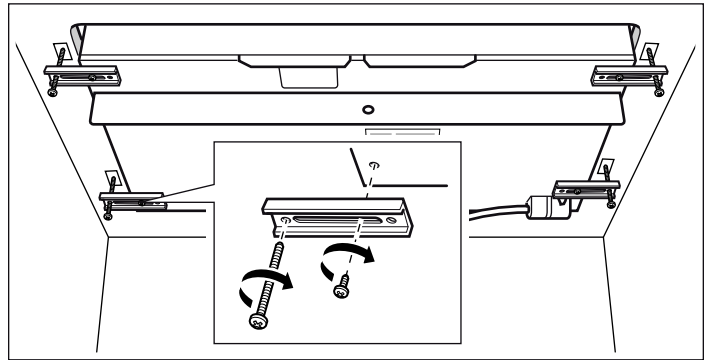
The heat shield will be able to rotate freely, as shown in the illustration.



Secure the cooktop to countertop

⚠ CAUTION

Do not let the glass drop into place. Make sure that it is supported along a broad area of the edges when carefully placing the cooktop into the cutout.



The appliance must be secured from below using the hold down brackets provided so it does not slip.

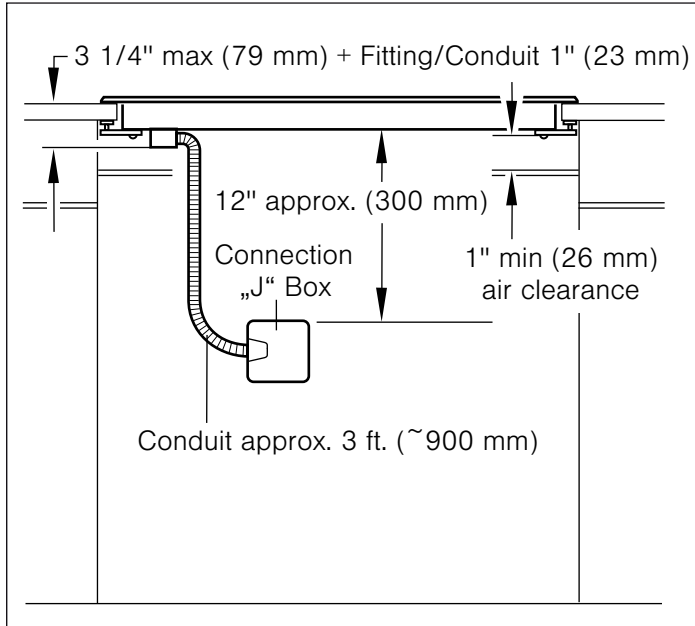
1. Rotate the appliance and fit it so that the screws provided are seated loosely in the holes. Move the hold down brackets so that the appliance can be placed in the cutout.
2. Place the appliance carefully into the cutout.
3. Insert the clamping screws into the hold down brackets and fix the appliance to the countertop. Tighten screws.

Note: Protect delicate countertops by placing a wooden disk underneath.

Electrical Installation

Electrical requirements

You can find the identification plate with the electrical specifications on the underside of the appliance. The junction box must be located within 3 feet of the cooktop connection. It should be easily accessible for service purposes.



Power supply

CIT30XWBB models ...

30 Amp circuit breaker
240 Volts, 3 Wire, 60 Hz
208 Volts, 3 Wire, 60 Hz

All with 39" (1m) flexible conduit (included)

CIT36XWB, CIT36XWBB models ...

30 Amp circuit breaker
240 Volts, 3 Wire, 60 Hz
208 Volts, 3 Wire, 60 Hz

All with 39" (1m) flexible conduit (included)

Connect Electrical Supply

⚠ CAUTION

Before installing, turn off at the service panel. Lock service panel to prevent power from being turned on accidentally.

⚠ CAUTION

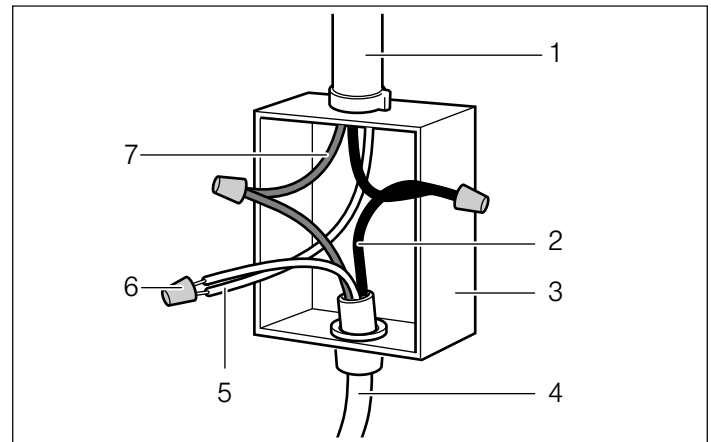
To reduce the risk of electric shock and fire, do not use a flexible power supply cord.

Refer to data plate for more information. See "Service" for data plate location.

The branch-circuit breakers ampacity, the wire sizes and the connections must conform to the requirements of the National Electrical Code or Canadian Electrical Code and all local codes and ordinances.

Attach flexible conduit to the junction box. Connect the lead wires to the junction box supply wires in proper phase:

- black (L1) to black
- red (L2) to red
- green or bare to ground



- | | |
|---|------------------------------|
| 1 | House power supply cord |
| 2 | Black wire |
| 3 | Junction box |
| 4 | Cooktop power supply cord |
| 5 | Grounded green or bare cable |
| 6 | Certified UL connector |
| 7 | Red wire |

If the cooktop is installed and connected as specified above, it will be completely grounded in compliance with the National Electrical Code.

Check the Installation

⚠ CAUTION

Before you plug in an electrical cord or turn on power supply, make sure all controls are in the OFF position.

Remove everything from the cooktop surface including stickers. Clean cooktop surface with cooktop cleaning cream.

Switch on the circuit breaker.

Verify that elements function properly.

Customer Service

Contact our Customer Service Department if your appliance needs repair. Our Customer Service Department (see below) will be happy to supply you with details on an authorized servicer near you.

E number and FD number

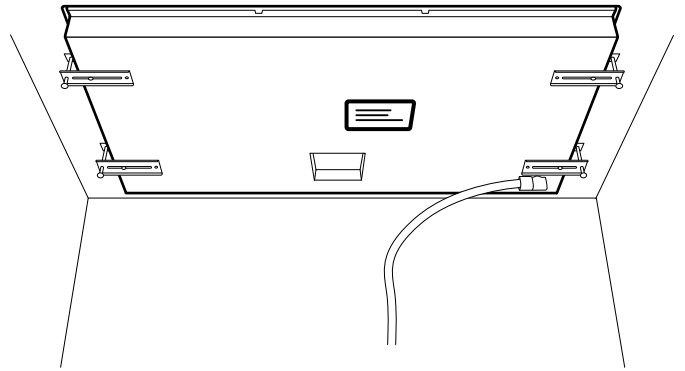
When you contact Customer Service, please have the Model (E) number and the FD number for your appliance available.

You can find the identification plate with these numbers:

- in the appliance pass
- on the underside of the appliance

You can also find the E number on the glass ceramic of your cooktop. You can check the Customer Service Index (TK) and the FD number in the basic settings. Please refer to the section on “Basis Settings” in your Use and Care manual.

Please find the contact data of all countries in the enclosed customer service list.



1-800-735-4328

www.thermador.com

1901 Main Street, Suite 600
Irvine, CA 92614

THERMADOR® Support

Service

We realize that you have made a considerable investment in your kitchen. We are dedicated to supporting you and your appliance so that you have many years of creative cooking.

Please do not hesitate to contact our STAR® Customer Support Department if you have any questions or in the unlikely event that your THERMADOR® appliance needs service. Our service team is ready to assist you.

USA

800-735-4328

www.thermador.com/support

Canada

800-735-4328

www.thermador.ca

Parts and Accessories

Parts, filters, descalers, stainless steel cleaners and more can be purchased in the THERMADOR® eShop or by phone.

USA

<http://store.thermador.com/us>

Canada

- If you live in any of the Atlantic provinces, Ontario, or Québec contact:

Marcone

1.800.287.1627

- If you live in any of the Territories, Manitoba, Saskatchewan, Alberta, or British Columbia contact:

Reliable Parts

1.800.663.6060

Table de MATIÈRES

Définitions de sécurité	11	Vérification de l'installation	19
CONSIGNES DE SÉCURITÉ IMPORTANTES	12	Service après-vente	19
Codes et normes de sécurité	12	Soutien THERMADOR®	20
Sécurité électrique	12	Dépannage	20
Équipement de sécurité	13	Pièces et accessoires	20
Avertissement issue de la proposition 65 de l'État de la Californie	13		
Avant de commencer	14		
Outils et pièces nécessaires	14		
Pièces comprises	14		
Exigences pour les placards	14		
Exigences pour le plan de travail	14		
Préparation des meubles	15		
Dimensions de la découpe pour tables de cuisson de 30 po	15		
Dimensions de la découpe pour tables de cuisson de 36 po	15		
Ventilation	16		
Procédure d'installation	17		
Installation de l'écran pare-chaueur	17		
Fixer la plaque au plan de travail	17		
Installation électrique	18		
Critères électriques	18		
Brancher l'alimentation électrique	18		

*Cet appareil électroménager
de THERMADOR*
est fait par BSH Home Appliances Ltd.
6696 Financial Drive, Unit 3
Mississauga, ON L5N 7J6

Question ?

1-800-735-4328

www.thermador.ca

Nous attendons de vos nouvelles.

Définitions de sécurité

▲ AVERTISSEMENT

Ceci indique que le non-respect de cet avertissement peut entraîner des blessures graves, voire la mort.

▲ ATTENTION

Ceci indique que le non-respect de cet avertissement peut entraîner des blessures légères ou de gravité moyenne.

AVIS : Ceci indique que la non-conformité à cet avis de sécurité peut entraîner des dégâts matériels ou endommager l'appareil.

Remarque : Ceci vous signale des informations et/ou indications importantes.

CONSIGNES DE SÉCURITÉ IMPORTANTES

LIRE ET CONSERVER CES INSTRUCTIONS

IMPORTANT : L'électroménager doit être installé par un installateur qualifié.

INSTALLATEUR : Laissez ces instructions d'installation avec cet appareil à l'intention du propriétaire. Montrez au propriétaire l'emplacement du disjoncteur ou du fusible. Identifiez sa position pour pouvoir le retrouver facilement.

PROPRIÉTAIRE : Prière de conserver ces instructions pour référence ultérieure.

AVERTISSEMENT

Si l'information de ce guide n'est pas suivie exactement, il peut en résulter un incendie ou un choc électrique causant des dommages à la propriété, des blessures ou la mort.

AVERTISSEMENT

Ne réparez, remplacez, ni ne retirez aucune partie de l'appareil, excepté si les manuels recommandent de le faire. Une installation, un entretien ou une inspection incorrects peuvent occasionner des blessures ou des dommages matériels. Reportez-vous au présent manuel pour obtenir des indications. Toute autre intervention doit être effectuée par un technicien agréé.

Enlever le ruban adhésif et l'emballage avant d'utiliser l'appareil. Détruire l'emballage après avoir déballé l'appareil. Ne jamais laisser les enfants jouer avec les matériaux de conditionnement.

Certaines surfaces peuvent avoir des bords tranchants. Faire attention en étendant le bras derrière l'appareil ou en dessous.

Cet appareil est conçu pour une utilisation jusqu'à une altitude maximale de 13 100 pieds (4 000 m).

La garantie ne couvre pas une mauvaise installation.

Codes et normes de sécurité

Cet appareil est conforme à une ou plusieurs des normes suivantes :

- **UL 858, norme pour la sécurité des cuisinières électriques domestiques**
- **UL 507, norme pour la sécurité des ventilateurs électriques**
- **CAN/CSA-C22.2 No. 113-M1984, Ventilateurs et soufflantes**
- **CAN/CSA-C22.2 No. 61-M89, Cuisinières pour usage ménager**

Il incombe au propriétaire et à l'installateur de déterminer si des exigences additionnelles et/ou normes s'appliquent pour des installations spécifiques.

Sécurité électrique

AVERTISSEMENT

Avant tout raccordement de cordon électrique ou toute mise sous tension, assurez-vous que toutes les commandes sont en position OFF (d'arrêt).

S'il y a lieu, conformément au Code national de l'électricité (ou au Code canadien de l'électricité), cet appareil doit être installé sur un circuit de dérivation séparé.

Le disjoncteur doit avoir une séparation de contact de 3 mm. minimum pour tous les pôles.

S'assurer que l'appareil est installé et mis à la terre par un technicien qualifié. L'installation, les connexions électriques et la mise à la terre doivent être conformes à tous les codes applicables.

Avant l'installation, mettre l'appareil hors service au panneau de service. Verrouiller le panneau d'entrée d'électricité pour éviter que le courant ne soit accidentellement rétabli.

AVERTISSEMENT

UNE MISE À LA TERRE INADÉQUATE PEUT ENTRAÎNER UN RISQUE D'ÉLECTROCUTION



Consultez un électricien qualifié si vous ne comprenez pas parfaitement les instructions de mise à la terre ou si vous avez des doutes concernant une mise à la terre appropriée. **NE PAS UTILISER DE RALLONGE.**

CONSIGNES DE SÉCURITÉ IMPORTANTES

LIRE ET CONSERVER CES INSTRUCTIONS

Équipement de sécurité

Utilisez uniquement l'appareil électroménager s'il a été installé par un technicien qualifié conformément aux présentes instructions d'installation. Le fabricant ne peut pas être tenu responsable de tous dommages causés par une installation inadéquate.

Ne jamais modifier ni altérer la configuration de l'appareil. Par exemple, ne pas retirer les pieds de nivellement, les panneaux, les couvercles de câblage ou les fixations/vis antibasculement.

Pour éliminer le risque de brûlures ou d'incendie lorsque l'on allonge le bras au-dessus des éléments de surface chauds, éviter d'installer des placards au-dessus des éléments de surface. Si l'installation de placards est prévue, le risque peut être réduit en installant une hotte aspirante qui dépasse horizontalement d'au moins 5 po (127 mm) la base du placard.

Vérifiez que la profondeur des armoires situées au-dessus de la table de cuisson ne dépasse pas 13 po (330 mm).

La pose d'un appareil de réfrigération, d'un lave-vaisselle, d'un four non ventilé ou d'un lave-linge sous la table de cuisson n'est pas autorisée.

Remarque : Nous recommandons vivement l'installation d'un système de ventilation avec cet appareil ménager.

Avertissement issue de la proposition 65 de l'État de la Californie :

AVERTISSEMENT

Ce produit peut vous exposer à des produits chimiques, comme du chlorure de vinyle, reconnus par l'État de la Californie comme causant le cancer, des malformations congénitales ou d'autres effets nocifs sur la reproduction. Pour de plus amples renseignements, consultez www.P65Warnings.ca.gov.

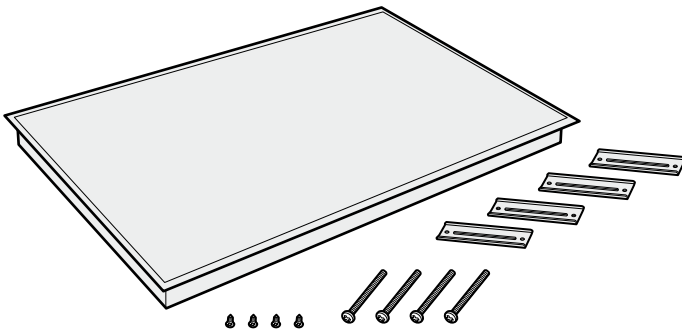
Avant de commencer

Outils et pièces nécessaires

- Tournevis à tête Philips
- Crayon
- Perceuse avec broche de 6 mm
- Scie sauteuse
- Mètre ruban

Remarque : Il faudra éventuellement avoir recours à d'autres matériaux pour l'installation sur des surfaces de travail solides. Prendre contact avec le fabricant de la surface de travail.

Pièces comprises

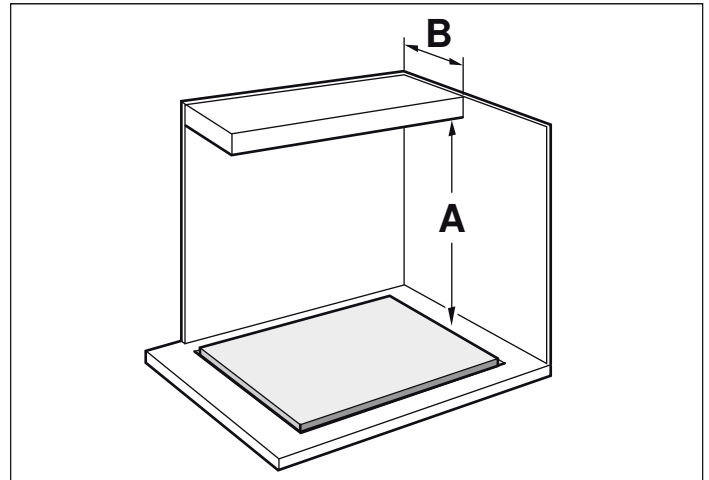


- Hold down brackets (4)
- Clamping screws #10-32 x 2 1/2" (63.8 mm) (4)
- Sheet metal screws #8 x 3/8" (9.5 mm) (4)

Exigences pour les placards

La distance du haut de la table de cuisson au bas des armoires au-dessus doit être au minimum de A=30 po (762 mm). Cette distance peut être réduite à A=24 po (610 mm) quand le bas de l'armoire en bois ou en métal est protégé par du carton enroulé ignifuge d'un minimum de 1/4 po (6,35 mm), lequel est recouvert au minimum de tôle de calibre 28, d'acier inoxydable de 0,015 po (0,4 mm), d'aluminium de 0,024 po (0,6 mm) ou de cuivre de 0,020 po (0,5 mm).

Vérifiez que la profondeur des armoires au-dessus de la table de cuisson est au maximum de B=13 po (330 mm).



Exigences pour le plan de travail

▲ AVERTISSEMENT

Pour réduire le risque d'inflammation des matériaux combustibles adjacents, l'installation doit laisser un dégagement d'au moins 2 po (51 mm) entre la table de cuisson et les murs latéraux et arrière.

Le plan de travail doit être horizontal et plan. Veiller à la stabilité du plan de travail, même après avoir creusé le trou.

Certains plans de travail à haute résistance requièrent souvent des aménagements spéciaux. Par exemple, une bande thermoréfléchissante et des coins arrondis peuvent être nécessaires. Contacter le fabricant du plan de travail pour obtenir des précisions.

Préparation des meubles

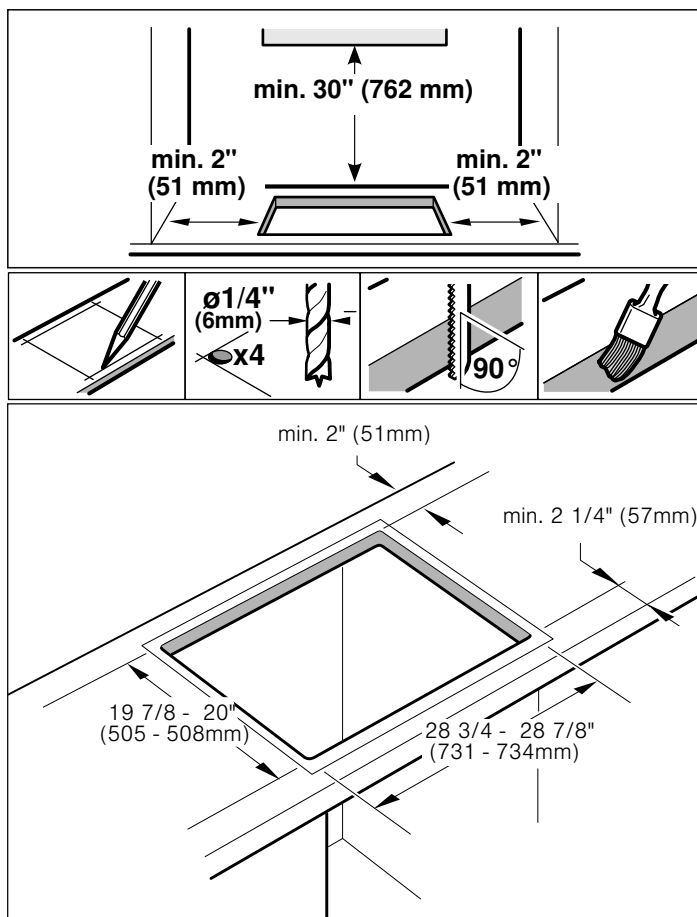
Réaliser la découpe pour l'appareil dans le plan de travail, selon le schéma de pose. L'angle du chant de coupe doit être de 90° par rapport au plan de travail. Les bords de coupe latéraux doivent être plans afin de garantir le positionnement correct des ressorts de serrage sur l'appareil. Si le plan de travail est constitué d'un matériau multicouche, fixer le cas échéant des baguettes sur les côtés de la découpe.

Après les opérations de découpe, éliminer les copeaux. Sceller les chants de coupe avec un produit assurant leur résistance à la chaleur et l'humidité.

Respecter entre le dessous de l'appareil et les meubles voisins une distance minimale de $\frac{3}{8}$ " (10 mm).

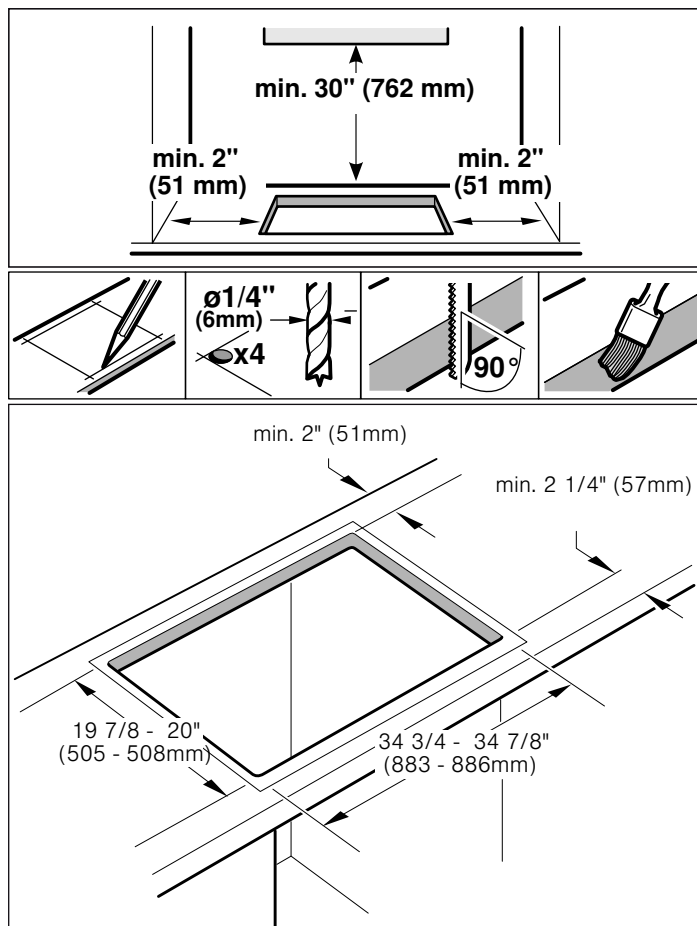
Dimensions de la découpe pour tables de cuisson de 30 po

Modèle : CIT30XWBB



Dimensions de la découpe pour tables de cuisson de 36 po

Modèles : CIT36XWB, CIT36XWBB

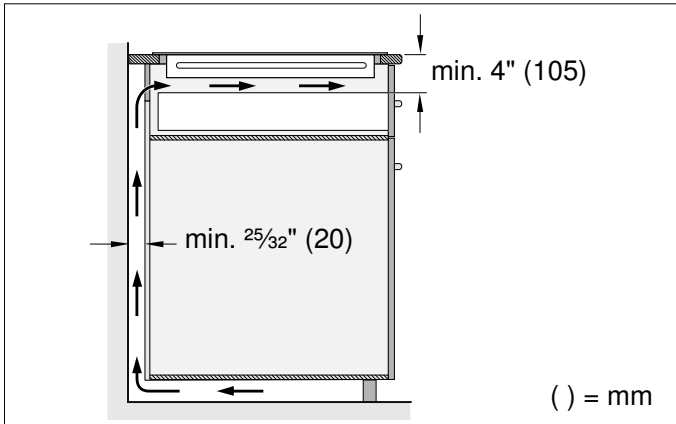


Ventilation

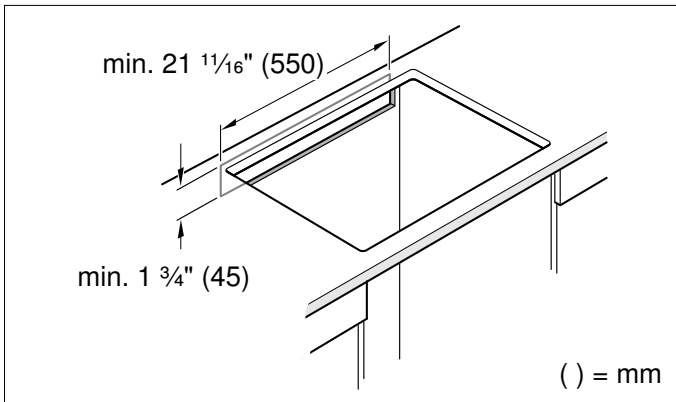
Pour assurer un fonctionnement adéquat de l'appareil électroménager, la table de cuisson **DOIT** être suffisamment ventilée.

Puisque la ventilation dans la section inférieure de l'appareil électroménager nécessite un débit d'air frais suffisant, l'armoire doit être conçue de façon appropriée. Pour y parvenir, veuillez respecter les exigences suivantes :

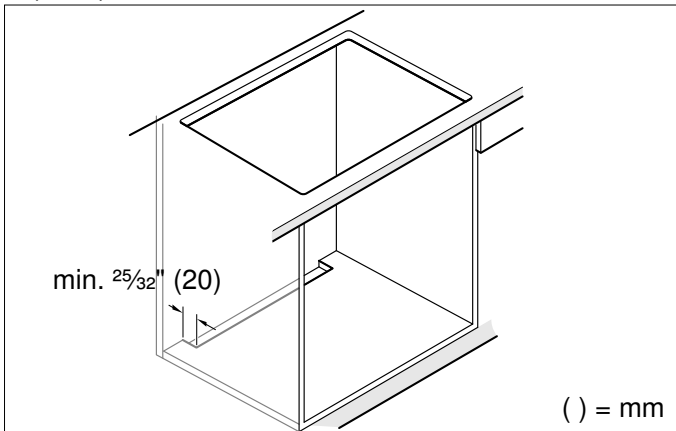
- Un dégagement minimal entre l'arrière de l'armoire et le mur de la cuisine, et entre la surface du plan de travail et la zone supérieure du tiroir.



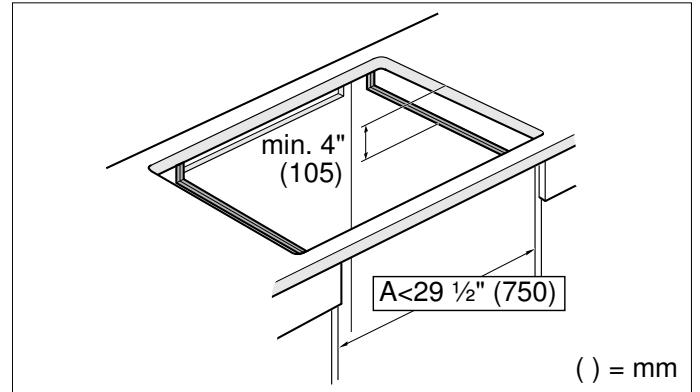
- Une ouverture sur le dessus de l'armoire, vers l'arrière.



- Si le dégagement minimal de 20 mm ($25/32$ po) n'est pas présent à l'arrière de l'armoire, vous devez pratiquer une ouverture sur le dessous.



- Si l'intérieur de l'armoire n'est pas plus large que 750 mm ($29 \frac{1}{2}$ po), pratiquez des découpes dans les panneaux latéraux.



Remarque : Si l'appareil électroménager est installé dans un îlot ou un autre type d'installation qui n'est pas décrit dans le présent document, vous devez vous assurer que la table de cuisson est dotée d'une ventilation appropriée.

Procédure d'installation

⚠ ATTENTION

Bords coupants. Mettre des gants de protection pendant l'installation de la table de cuisson.

Remarque : L'appareil est lourd. Pour l'insérer dans la découpe, faites-vous aider par une autre personne.

Installation de l'écran pare-chaueur

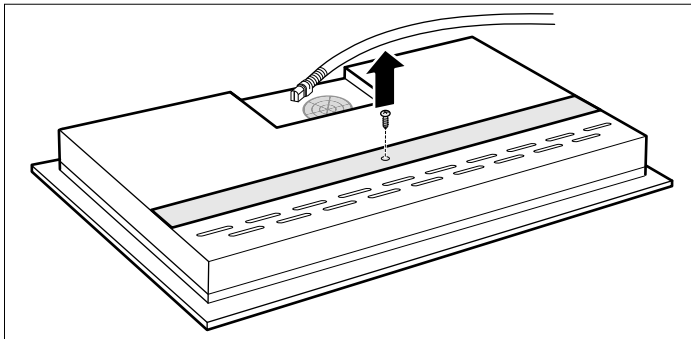
⚠ ATTENTION

Bords coupants. Utiliser des gants de protection pour installer la table.

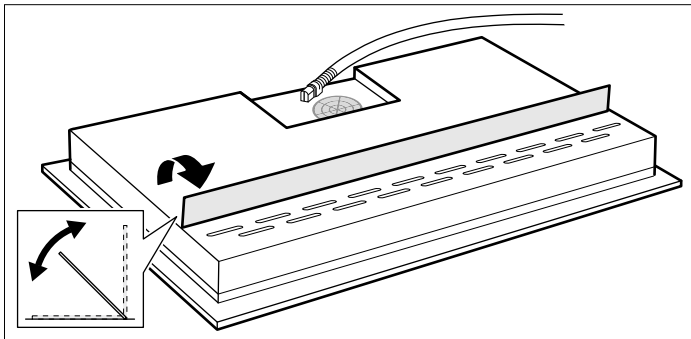
Pour des raisons de sécurité, la tôle réfléchissante doit être correctement installée en présence d'armoire. La tôle empêche la surchauffe des éléments décollant de la recirculation de la chaleur tournante de la table de cuisson.

La tôle réfléchissante est de la même largeur que la table de cuisson. Pour l'expédition, elle est vissée au boîtier des brûleurs.

Après le déballage de la table de cuisson, dévissez la tôle réfléchissante.



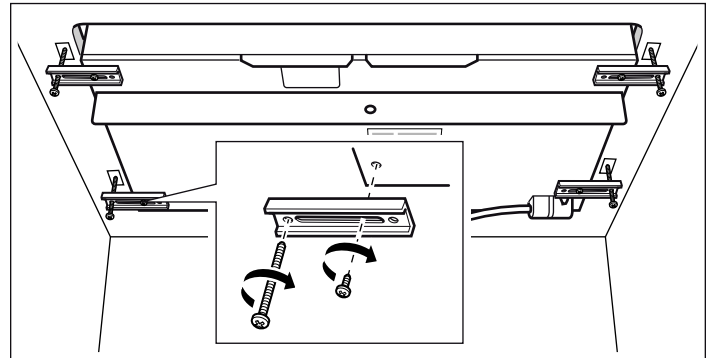
Le déflecteur métallique pourra tourner librement, comme le montre l'image.



Fixer la plaque au plan de travail

⚠ ATTENTION

Ne laissez pas "tomber" le verre de la plaque sur son emplacement, il doit être supporté sur tout son périmètre par une large surface des bords au moment de "placer" la table de cuisson sur la découpe.



L'appareil doit être fixé au plan de travail pour éviter le glissement avec les supports de fixation fournis.

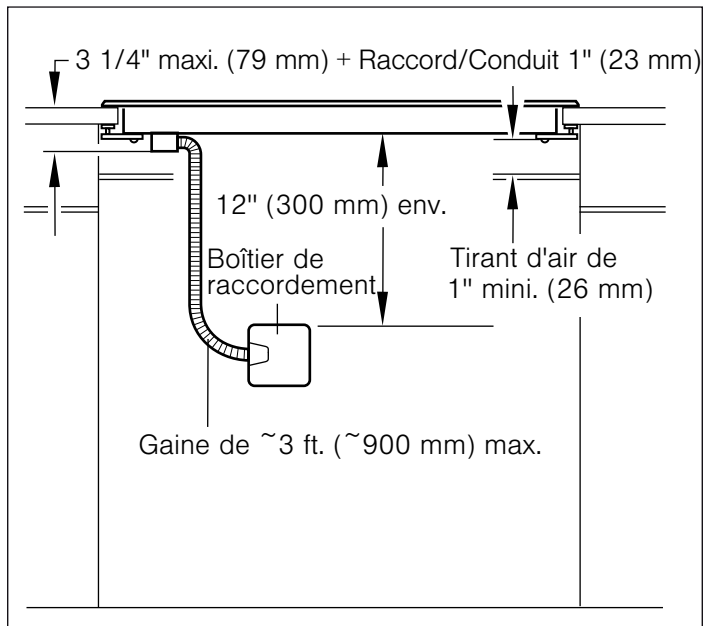
1. Retourner la plaque et fixer les supports légèrement à l'aide des vis fournies. Déplacer les supports de fixation au mode que l'appareil puisse être placé dans la cavité.
2. Placer la plaque dans la cavité.
3. Introduire les vis de fixation dans le support et fixer la plaque au plan de travail. Serrer les vis.

Remarque : Utiliser un bloc en bois pour protéger les matériaux fragiles du plan de travail.

Installation électrique

Critères électriques

Ces caractéristiques techniques figurent sur la plaque d'identification au bas de l'appareil ménager. Le boîtier de dérivation doit être placé à ~900 mm max. du branchement de la plaque. On doit pouvoir y accéder facilement pour effectuer les réparations.



Alimentation électrique

Modèle CIT30XWBB ...

Disjoncteur de 30 A
240 V, 3 fils, 60 Hz
208 V, 3 fils, 60 Hz

Tous avec un conduit flexible de 1 m (39 po) (inclus)

Modèles CIT36XWB, CIT36XWBB ...

Disjoncteur de 30 A
240 V, 3 fils, 60 Hz
208 V, 3 fils, 60 Hz

Tous avec un conduit flexible de 1 m (39 po) (inclus)

Brancher l'alimentation électrique

⚠ ATTENTION

Avant l'installation, éteindre le disjoncteur du panneau de service. Attacher le disjoncteur pour empêcher qu'il allume accidentellement l'alimentation électrique.

⚠ ATTENTION

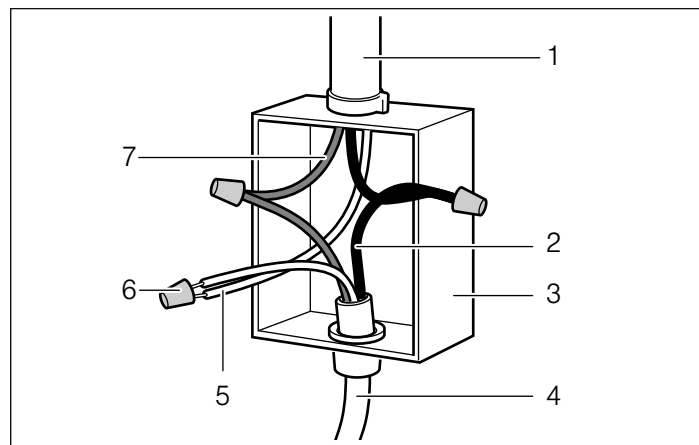
pour réduire le risque d'électrocution et d'incendie, n'utilisez pas de câble d'alimentation électrique flexible.

Consulter la plaque signalétique pour en savoir plus. Pour savoir où se trouve la plaque signalétique, se reporter à la rubrique "Service après-vente".

Le courant admissible des disjoncteurs divisionnaires, la taille des câbles et les connexions doivent être conformes aux exigences du Code électrique national ou du Code électrique canadien ainsi qu'à tous les codes et règlements locaux.

Brancher le conduit souple à la boîte de jonction. Brancher les fils de sortie aux fils d'alimentation de la boîte de jonction en respectant les phases :

- noir (L1) avec noir
- rouge (L2) avec rouge
- vert ou dénudé avec la terre



- | | |
|---|---|
| 1 | Câble d'alimentation de courant de la maison |
| 2 | Câble noir |
| 3 | Boîtier de dérivation |
| 4 | Câble d'alimentation de courante de la plaque |
| 5 | Câble vert ou dénudé de connexion à la terre |
| 6 | Connecteur UL certifié |
| 7 | Câble rouge |

Si la plaque est installée et raccordée comme il a été spécifié précédemment, elle sera entièrement raccordée à la terre, conformément au Code national électrique.

Vérification de l'installation

⚠ ATTENTION

Avant de brancher le cordon électrique ou de mettre sous tension la source d'alimentation, vérifiez que toutes les commandes sont à la position OFF (Arrêt).

Tout enlever de la surface de la table de cuisson, y compris autocollants. Nettoyer la surface de la table de cuisson à l'aide d'une crème de nettoyage pour table de cuisson.

Mettre le disjoncteur en circuit.

Vérifier que les éléments fonctionnent correctement.

Service après-vente

Communiquez avec le service après-vente si l'appareil électroménager exige des réparations. Le service après-vente (voyez ci-dessous) se fera un plaisir de vous communiquer les coordonnées d'un centre de réparations autorisé près de chez vous.

Numéro E et numéro FD

Lorsque vous communiquez avec le service après-vente, veuillez avoir à portée de main le numéro de modèle (E) et le numéro FD de l'appareil électroménager.

Vous pouvez trouver la plaque signalétique avec ces numéros :

- sur le ticket de l'appareil
- sur le dessous de l'appareil

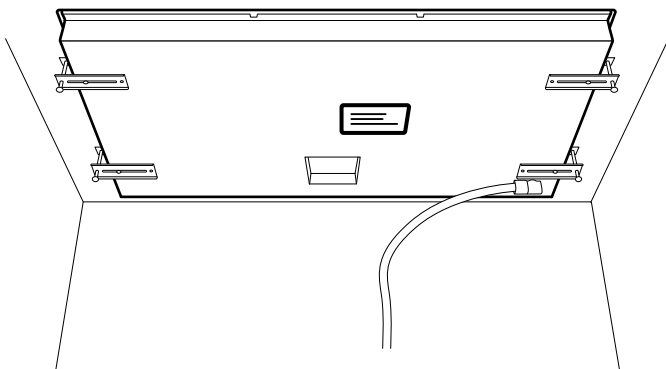
Vous pouvez également trouver le numéro de modèle E sur la vitrocéramique de la table de cuisson. Vous pouvez consulter le répertoire du service après-vente (TK) et le numéro FD dans les réglages de base. Veuillez consulter la section « Réglages de base » du Manuel d'utilisation et d'entretien.

Vous trouverez les coordonnées pour tous les pays dans la liste du service après-vente ci-jointe.

1-800-735-4328

www.thermador.com

1901 Main Street, Suite 600
Irvine, CA 92614



Soutien THERMADOR®

Dépannage

Nous sommes conscients que vous avez investi des sommes considérables dans votre cuisine. Nous nous engageons à vous offrir, ainsi qu'à votre appareil, un service de dépannage qui vous permettra de profiter de votre cuisine pendant de nombreuses années.

N'hésitez pas à communiquer avec notre service à la clientèle STAR® si vous avez des questions ou dans l'éventualité peu probable où votre appareil THERMADOR® nécessiterait de l'entretien. Notre équipe de dépannage se fera un plaisir de vous aider.

États-Unis

800-735-4328

www.thermador.com/support

Canada

800-735-4328

www.thermador.ca

Pièces et accessoires

Pour vous procurer des pièces, des filtres, du détartrant, des produits nettoyants pour l'acier inoxydable et autres, rendez-vous sur la boutique en ligne THERMADOR® ou communiquez avec nous par téléphone.

États-Unis

<http://store.thermador.com/us>

Canada

- Si vous résidez dans les provinces de l'Atlantique, en Ontario ou au Québec, communiquer avec :

Marcone

1.800-287-1627

- Si vous résidez dans un territoire, au Manitoba, en Saskatchewan, en Alberta ou en Colombie-Britannique, communiquer avec :

Reliable Parts

800-663-6060

ÍNDICE

Definiciones de seguridad	21
INSTRUCCIONES DE SEGURIDAD IMPORTANTES ...	22
Códigos y normas de seguridad	22
Seguridad eléctrica	22
Seguridad del equipo relacionado	23
Advertencia en virtud de la Proposición 65 del estado de California	23
Antes de empezar	24
Herramientas y piezas necesarias	24
Piezas incluidas	24
Requisitos de gabinetes	24
Requisitos de la superficie de trabajo	24
Preparación de los muebles de montaje	25
Dimensiones del hueco para placas de 30 in	25
Dimensiones del hueco para placas de 36 in	25
Ventilación	26
Procedimiento de instalación	27
Instalación del protector térmico	27
Asegure la placa a la superficie de trabajo	27
Instalación eléctrica	28
Requisitos eléctricos	28
Conexión de la alimentación eléctrica	28
Pruebe la instalación	29
Servicio de Atención al Cliente	29
Soporte técnico de THERMADOR®	30
Servicio técnico	30
Piezas y accesorios	30

Este electrodoméstico de THERMADOR

es hecho por
 BSH Home Appliances Corporation
 1901 Main Street, Suite 600
 Irvine, CA 92614

¿Preguntas?

1-800-735-4328

www.thermador.com

¡Con gusto lo atenderemos!

Definiciones de seguridad

▲ ADVERTENCIA

Esto indica que pueden producirse heridas graves o incluso la muerte si no se cumple con esta advertencia.

▲ ATENCION

Esto indica que pueden producirse heridas leves o moderadas si no se cumple con esta advertencia.

AVISO: Esto indica que pueden producirse daños en el aparato o en los bienes si no se cumple con este aviso.

Nota: Esto alerta sobre información o sugerencias importantes.

INSTRUCCIONES DE SEGURIDAD IMPORTANTES

LEA Y CONSERVE ESTAS INSTRUCCIONES

IMPORTANTE: el montaje del electrodoméstico debe realizarlo un instalador calificado.

INSTALADOR: dejar estas instrucciones con esta unidad para el propietario. Mostrar al propietario la ubicación del breaker o del fusible. Marcarla para recordar más fácilmente.

PROPIETARIO: Conservar estas instrucciones para referencia futura.

ADVERTENCIA

Si no sigue la información de este manual exactamente, se puede ocasionar un incendio o una descarga eléctrica que puede causar daños materiales o lesiones personales.

ADVERTENCIA

No reparar, sustituir ni quitar ninguna pieza del electrodoméstico a menos que se recomiende de forma específica en los manuales. Una instalación, servicio o mantenimiento inadecuados pueden causar lesiones o daños materiales. Consultar este manual para recibir ayuda. Todos los demás servicios debe realizarlos un agente autorizado.

Retire toda la cinta y el embalaje antes de usar el electrodoméstico. Destruya el embalaje después de desembalar el electrodoméstico. Nunca deje que los niños jueguen con el material de embalaje.

Las superficies ocultas pueden tener bordes filosos. Proceda con cuidado al intentar tomar el electrodoméstico por la parte trasera o desde abajo.

Este aparato está previsto para ser utilizado a una altura máxima de 13,100 pies (4,000 metros) sobre el nivel del mar.

La garantía no cubre una instalación incorrecta.

Códigos y normas de seguridad

Este electrodoméstico cumple con una o más de las siguientes normas:

- **UL 858, Norma de seguridad para estufas eléctricas de uso doméstico (Standard for the Safety of Household Electric Ranges)**
- **UL 507, Norma de seguridad para ventiladores eléctricos (Standard for the Safety of Electric Fans)**
- **CAN/CSA-C22.2 N.º 113-M1984, Ventiladores (Fans and Ventilators)**
- **CAN/CSA-C22.2 N.º 61-M89, Estufas de uso doméstico (Household Cooking Ranges)**

Es responsabilidad del propietario y del instalador determinar si se aplican otros requisitos y/o normas en instalaciones específicas.

Seguridad eléctrica

ADVERTENCIA

Antes de enchufar un cable eléctrico o activar el suministro eléctrico, asegurarse de que todos los controles están en la posición OFF.

Si el Código Nacional Eléctrico (o el Código Eléctrico Canadiense) así lo requiere, este electrodoméstico debe instalarse en un circuito derivado por separado.

El disyuntor debe tener una separación de contacto de, al menos, 3 mm en todos los polos.

Asegúrese de que el electrodoméstico sea correctamente instalado y conectado a tierra por un técnico calificado. La instalación, las conexiones eléctricas y la conexión a tierra deben cumplir con todos los códigos correspondientes.

Antes de realizar la instalación, apague la alimentación eléctrica en el panel de servicio. Trabe el panel de servicio para impedir que se encienda accidentalmente la alimentación eléctrica.

ADVERTENCIA

LA CONEXIÓN INCORRECTA A TIERRA PUEDE CAUSAR UNA DESCARGA ELÉCTRICA



Consulte a un electricista calificado si no comprende la totalidad de las instrucciones de conexión a tierra o si tiene alguna duda respecto de si el aparato está correctamente conectado a tierra. **NO USAR UN CABLE DE EXTENSIÓN.**

INSTRUCCIONES DE SEGURIDAD IMPORTANTES

LEA Y CONSERVE ESTAS INSTRUCCIONES

Seguridad del equipo relacionado

El electrodoméstico solamente deberá usarse si lo ha instalado un técnico calificado, de acuerdo con estas instrucciones de instalación. El fabricante no es responsable de ningún daño causado por una instalación incorrecta.

Nunca modifique ni altere la construcción del electrodoméstico. Por ejemplo, no retire las patas niveladoras, paneles, cubiertas para cables ni soportes/tornillos antivuelco.

Para eliminar el riesgo de quemaduras o incendio al tocar unidades de la superficie calentadas, se debe evitar dejar espacio de almacenamiento en gabinetes sobre las unidades de la superficie. En el caso de que haya almacenamiento en gabinetes, se puede reducir el riesgo instalando una campana que se proyecte horizontalmente 5 pulgadas (127 mm) como mínimo de la parte inferior del gabinete.

Verifique que los gabinetes que se encuentran sobre la placa tengan 13 pulg. (330 mm) de profundidad como máximo.

Debajo de la placa de cocción no se pueden montar neveras, lavavajillas, hornos si ventilación ni lavadoras.

Nota: Recomendamos categóricamente la instalación de un sistema de ventilación con este electrodoméstico.

Advertencia en virtud de la Proposición 65 del estado de California:

ADVERTENCIA

Este producto puede exponerlo a sustancias químicas, incluyendo cloruro de vinilo, que el estado de California sabe que provocan cáncer, defectos congénitos u otro daño reproductivo. Para obtener más información, ir a la página web: www.P65Warnings.ca.gov.

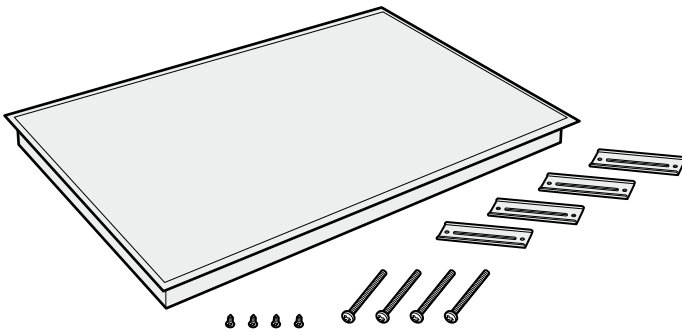
Antes de empezar

Herramientas y piezas necesarias

- Destornadillo con cabeza Philips
- Lápiz
- Taladro con broca de 1/4" (6 mm)
- Sierra caladora
- Cinta métrica

Nota: Es posible que se necesiten otros materiales para la instalación en superficies de trabajo sólidas. Comuníquese con el fabricante de la superficie de trabajo.

Piezas incluidas

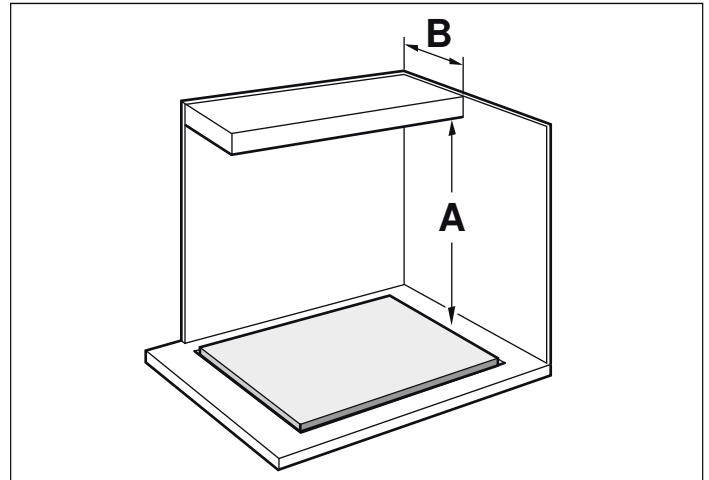


- Hold down brackets (4)
- Clamping screws #10-32 x 2 1/2" (63.8 mm) (4)
- Sheet metal screws #8 x 3/8" (9.5 mm) (4)

Requisitos de gabinetes

La distancia desde la parte superior de la placa hasta la parte inferior de los gabinetes que se encuentran arriba debe ser, como mínimo, de $A = 30$ in (762 mm). Puede reducirse esta distancia a $A = 24$ in (610 mm) si la parte inferior del gabinete de madera o de metal está protegida con cartón ignífugo de, como mínimo, 1/4 in (6.35 mm) cubierto con una placa metálica de, al menos, calibre 28, acero inoxidable de 0.015 in (0.4 mm), aluminio de 0.024 in (0.6 mm) o cobre de 0.020 in (0.5 mm).

Verifique que los gabinetes que se encuentran arriba de la placa tengan, como máximo, 13 in (330 mm) de profundidad.



Requisitos de la superficie de trabajo

▲ ADVERTENCIA

Para reducir el riesgo de ignición de materiales combustibles circundantes, instale la superficie de trabajo con una distancia de, al menos, 2" (51 mm) de ambas paredes laterales y de la pared posterior.

La superficie de trabajo debe ser horizontal y estar nivelada. La estabilidad de la superficie de trabajo debe estar garantizada incluso después de haber realizado el hueco.

Por norma general, las encimeras de superficie sólida requieren instalaciones especiales. Por ejemplo, es posible que se deba utilizar cinta ignífuga y esquinas redondeadas. Póngase en contacto con el fabricante de su encimera para obtener instrucciones sobre la misma.

Preparación de los muebles de montaje

Realice el recorte para el aparato en la encimera según el croquis de montaje. El ángulo de la superficie de corte respecto a la encimera deberá ser de 90°.

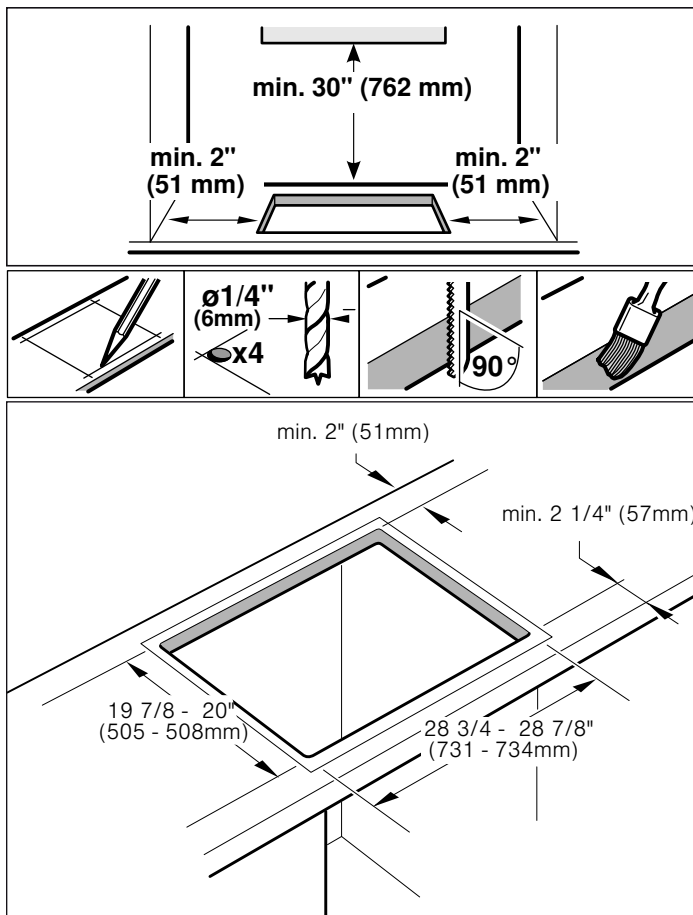
Los bordes de recorte laterales deben ser planos para garantizar que los muelles de retención se asienten correctamente en el aparato. En las encimeras de varias capas, fije regletas laterales en el recorte según sea necesario.

Elimine la viruta después de los trabajos de recorte. Selle las superficies de corte que sean resistentes al calor y la humedad.

Respete una distancia mínima de $\frac{3}{8}$ " (10 mm) entre la parte inferior del aparato y los muebles.

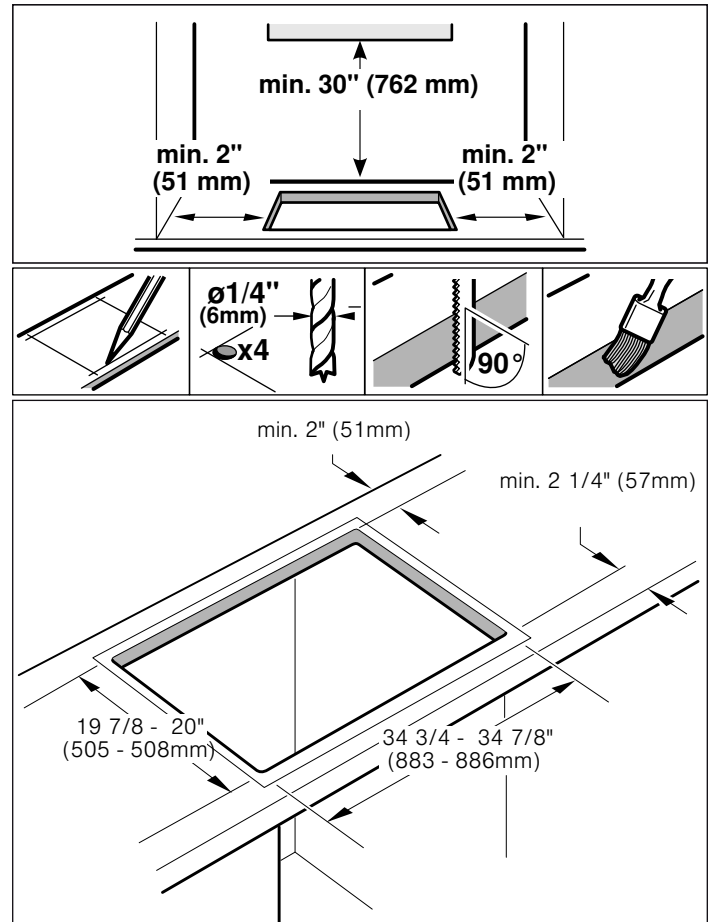
Dimensiones del hueco para placas de 30 in

Modelo: CIT30XWBB



Dimensiones del hueco para placas de 36 in

Modelo: CIT36XWB, CIT36XWBB

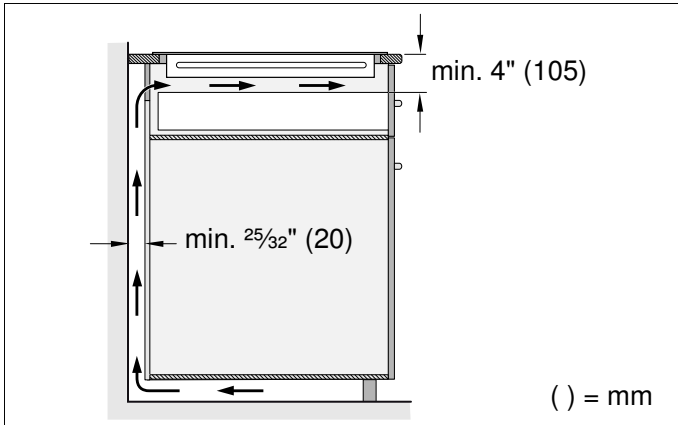


Ventilación

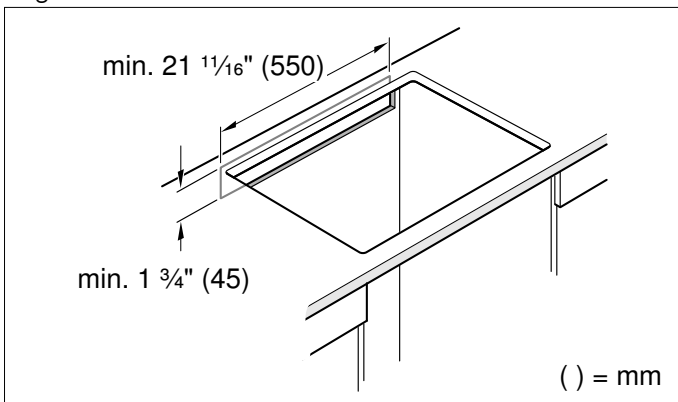
Para garantizar que el aparato funciona correctamente, la placa de cocción **DEBE** estar lo suficientemente ventilada.

Dado que la ventilación en la sección inferior del aparato requiere suficiente suministro de aire fresco, el gabinete debe estar diseñado apropiadamente. Para ello, se requiere lo siguiente:

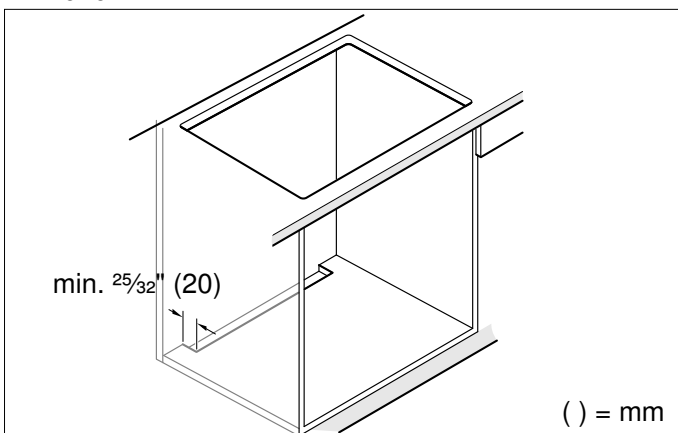
- Un espacio mínimo entre la parte trasera del gabinete y la pared de la cocina, y entre la superficie de la cubierta y el área superior del cajón.



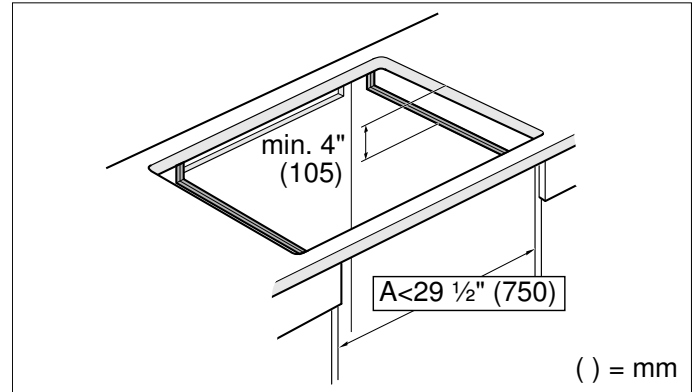
- Una abertura en la parte superior a la parte trasera del gabinete.



- Si no se proporciona un espacio mínimo de 25/32 pulgadas (20 mm) en la parte trasera del gabinete, entonces se deberá crear una abertura en la parte inferior.



- Si el interior del gabinete no supera una anchura de 29 1/2 pulgadas (750 mm), realizar cortes en las paredes laterales.



Nota: Si el aparato electrodoméstico es instalada en una unidad de isla u otra instalación que no se describe aquí, deberá asegurarse de que la placa de cocción esté suficientemente ventilada.

Procedimiento de instalación

⚠ ATENCION

Bordes afilados. Use guantes de protección al instalar la placa.

Nota: El aparato pesa demasiado. Se aconseja dos personas para insertarlo.

Instalación del protector térmico

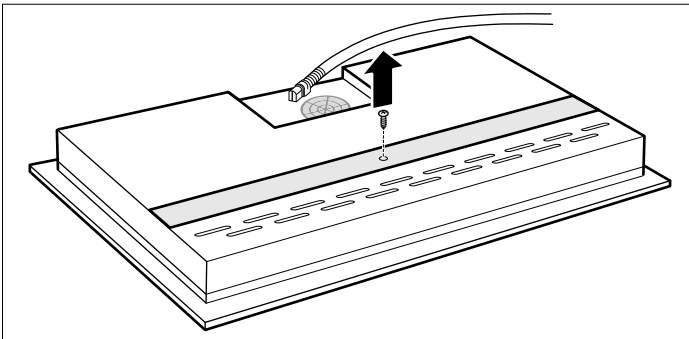
⚠ ATENCION

Bordes afilados. Utilice guantes de protección para instalar la placa.

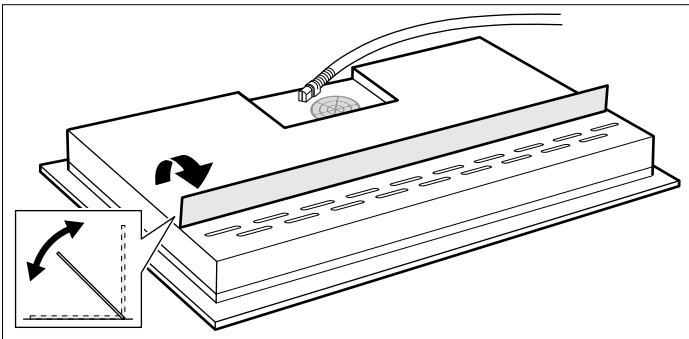
Por razones de seguridad, el protector de calor debe ser instalado correctamente cuando sean utilizados gabinetes cerrados. Así se evita que los componentes se sobrecalienten debido a la recirculación de aire caliente desde la placa de cocción.

El protector de calor tiene la misma anchura que la placa de cocción. Para el envío, está atornillado en la caja de quemadores.

Tras desembalar la placa de cocción, desatornillar los tornillos del protector de calor.



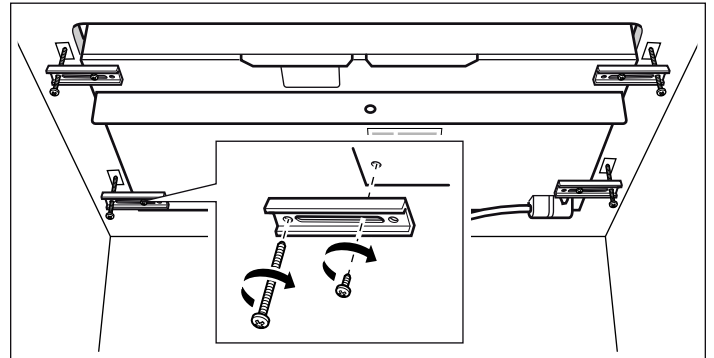
El deflector metálico podrá girar libremente, tal y como se muestra en la imagen.



Asegure la placa a la superficie de trabajo

⚠ ATENCION

No "dejar caer" el vidrio de la placa en su ubicación, debe sujetarse en todo su perímetro por una superficie amplia de los bordes en el momento de "instalar" la placa de cocción en su hueco.



La placa debe asegurarse a la superficie de trabajo con los soportes de sujeción provistos, así que no se puede mover.

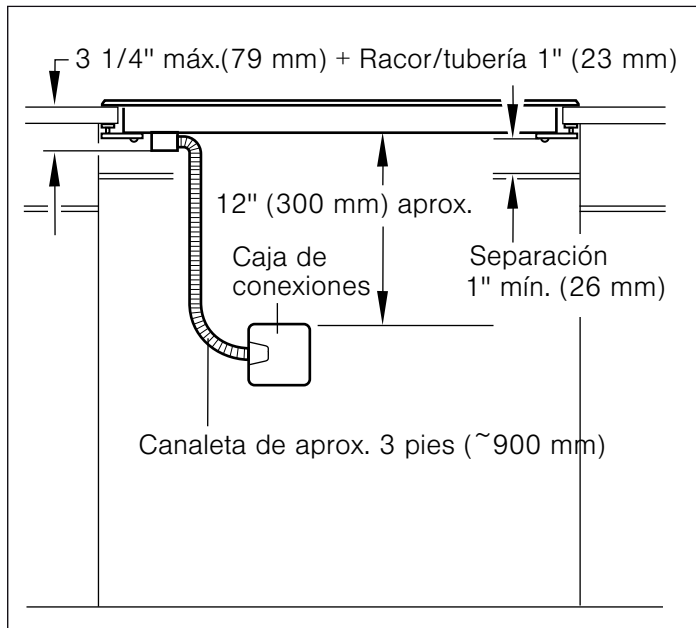
1. Dé vuelta a la placa y fije los soportes a la chapa envolvente con los tornillos sin apretarlos. Posicione los soportes así que puede colocar la placa en el hueco.
2. Coloque la placa en el hueco.
3. Introduzca los tornillos de sujeción en el soporte y asegure la placa a la superficie de trabajo. Apretar los tornillos.

Nota: Utilice un bloque de madera para proteger los materiales frágiles de la superficie de trabajo.

Instalación eléctrica

Requisitos eléctricos

Puede encontrar la placa de identificación con las especificaciones eléctricas en la parte inferior del electrodoméstico. La caja de conexiones debe estar ubicada dentro de los 3 pies (~900 mm) de la conexión de la placa. Se debe poder obtener acceso a ella fácilmente para relizar las reparaciones.



Alimentación eléctrica

Modelos CIT30XWBB...

Breaker de 30 A
240 V, cable de 3 hilos, 60 Hz
208 V, cable de 3 hilos, 60 Hz

Todos con tubo conduit flexible de 39" (1 m) (incluido)

Modelos CIT36XWB, CIT36XWBB...

Breaker de 30 A
240 V, cable de 3 hilos, 60 Hz
208 V, cable de 3 hilos, 60 Hz

Todos con tubo conduit flexible de 39" (1 m) (incluido)

Conexión de la alimentación eléctrica

⚠ ATENCION

Antes de la instalación, apague el disyuntor de la caja de fusibles. Trabe el disyuntor para impedir que se encienda accidentalmente la alimentación eléctrica.

⚠ ATENCION

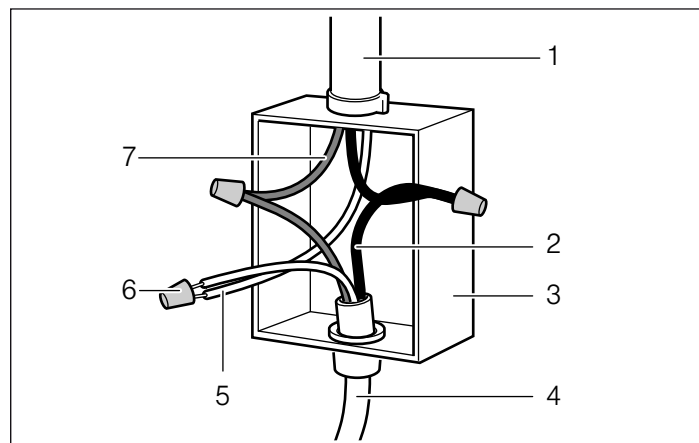
Para reducir el riesgo de descarga eléctrica e incendio, no use un cable de alimentación eléctrica flexible.

Para más información, véase la placa de características. Véase la ubicación de la placa de características en "Servicio".

El amperaje máximo de los disyuntores derivados, la sección de los cables y las conexiones deben ser conformes con los requisitos del Reglamento electrotécnico nacional o el Reglamento eléctrico canadiense, así como con todos los demás reglamentos y disposiciones locales.

Conectar un conducto flexible a la caja de conexión. Conectar los cables a la fase correcta de los cables de alimentación de la caja de conexión:

- Negro (L1) a negro
- Rojo (L2) a rojo
- Verde o desnudo a masa



- | | |
|---|--|
| 1 | Cable de suministro de corriente de la casa |
| 2 | Cable negro |
| 3 | Caja de conexiones |
| 4 | Cable de suministro de corriente de la placa |
| 5 | Cable verde o desnudo de conexión a tierra |
| 6 | Connector UL certificado |
| 7 | Cable rojo |

Si la placa se instala y conecta como se especificó anteriormente, estará totalmente conectada a tierra conforme al Código Nacional Eléctrico.

Pruebe la instalación

⚠ ATENCION

Antes de enchufar un cable eléctrico o encender la fuente de alimentación eléctrica, asegúrese de que todos los controles se encuentren en la posición OFF (Apagado).

Retire todos los objetos de la superficie de la placa, incluidas las calcomanías. Limpie la superficie de la placa con crema de limpieza para placas. Encienda el disyuntor. Verifique que los elementos funcionen correctamente.

Servicio de Atención al Cliente

Si su aparato necesitara reparación, llame a nuestro departamento de Atención al Cliente. Nuestro departamento de Servicio Técnico (ver más abajo) también estará encantado de proporcionarle los datos de un servicio autorizado cerca de usted.

Número E y número FD

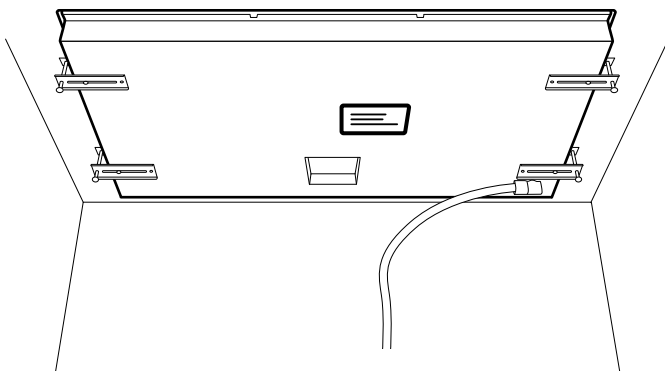
Al llamar al Servicio Técnico, tener preparado el número de modelo (E) y el número FD del electrodoméstico.

La placa de identificación con estos números se encuentra:

- en el pase de aprobación del electrodoméstico
- en la parte inferior del electrodoméstico

El número E también se puede encontrar en la vitrocerámica de la placa de cocción. Se puede consultar el Índice del Servicio al Cliente (TK) y el número FD en los ajustes básicos. Consulte la sección de «Ajustes básicos» de su Manual de uso y cuidado.

Los datos de contacto de todos los países se encuentran en la lista adjunta de servicio al cliente.



1-800-735-4328

www.thermador.com

1901 Main Street, Suite 600
Irvine, CA 92614

Soporte técnico de THERMADOR®

Servicio técnico

Sabemos que usted ha realizado una inversión considerable en su cocina. Nos dedicamos a brindar apoyo técnico para usted y su electrodoméstico de manera que tenga muchos años de cocina creativa.

No dude en comunicarse con nuestro Departamento de Atención al Cliente de STAR® si tiene alguna pregunta o en el caso poco probable de que su electrodoméstico THERMADOR® necesite servicio técnico. Nuestro equipo de servicio técnico está listo para asistirlo.

EE. UU.

800-735-4328

www.thermador.com/support

Canadá

800-735-4328

www.thermador.ca

Piezas y accesorios

Puede comprar piezas, filtros, productos para eliminar el sarro, limpiadores para acero inoxidable y más artículos en la tienda electrónica de THERMADOR® o por teléfono.

EE. UU.

<http://store.thermador.com/us>

Canadá

- Si usted vive en alguna de las provincias atlánticas, Ontario o Quebec: contacte el

Marcone

1-800-287-1627

- Si usted vive en algún territorio, Manitoba, Saskatchewan, Alberta o Columbia Británica: contacte el

Reliable Parts

1-800-663-6060



1901 MAIN STREET, SUITE 600 IRVINE, CA 92614 // 1-800-735-4328 // WWW.THERMADOR.COM
© 2017 BSH HOME APPLIANCES CORPORATION
9001361791 en-us, es-mx, fr-ca 971130