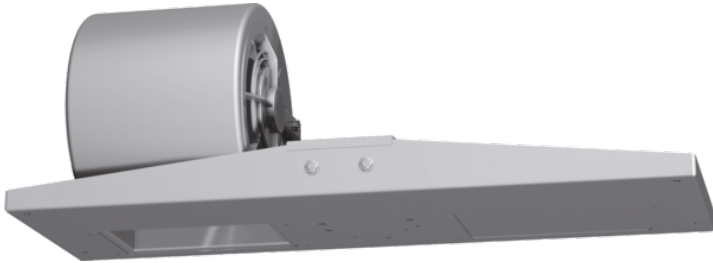


**600 CFM Integral Blower**  
VTN630W



**Product Features**

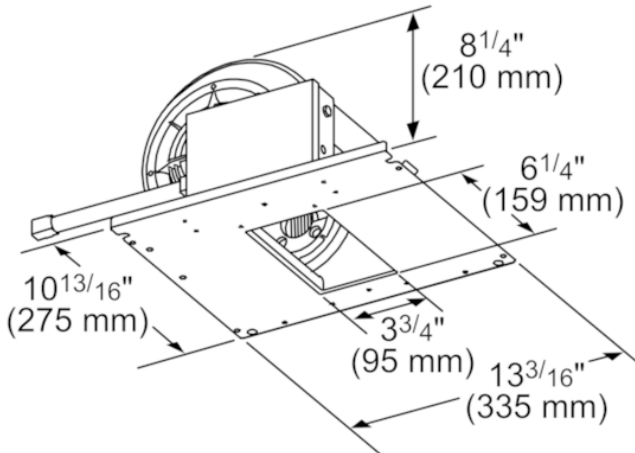


Notes: Please refer to installation instructions. Installation instructions are available at [www.thermador.com](http://www.thermador.com). Specifications are correct at the time of printing. Thermador reserves the right to change product specifications and design at any time, without notice.

1 800 735 4328 | [WWW.THERMADOR.COM](http://WWW.THERMADOR.COM) | 1901 Main Street, Suite 600 Irvine, CA 92614

©2018 BSH HOME APPLIANCES CORPORATION, ALL RIGHTS RESERVED LITHO DATE: 09/2018

**600 CFM Integral Blower**  
VTN630W



measurements in inches (mm)

**Product Features**

Product group	Accessory
Brand	Thermador
SKU	VTN630W
Internal article number	VTN630W
EAN code	825225934738
Product packaging dimensions (HxWxD) (in)	11" x 26 3/8" x 13"
Net weight (lbs)	13
Gross weight (lbs)	16
UPC code	825225934738
Name of product image	MCSA038081_VTN630C_def.jpg

**Technical Specification**

Notes: Please refer to installation instructions. Installation instructions are available at [www.thermador.com](http://www.thermador.com). Specifications are correct at the time of printing. Thermador reserves the right to change product specifications and design at any time, without notice.

1 800 735 4328 | [WWW.THERMADOR.COM](http://WWW.THERMADOR.COM) | 1901 Main Street, Suite 600 Irvine, CA 92614

©2018 BSH HOME APPLIANCES CORPORATION, ALL RIGHTS RESERVED LITHO DATE: 09/2018