

TCM24TS

24-INCH BUILT-IN COFFEE MACHINE

WITH HOME CONNECT®

MASTERPIECE® & PROFESSIONAL SERIES



FEATURES & BENEFITS

- Personalize your selection by altering ground size, temperature, cup size and aroma settings or chose from the 10 preset beverages.
- Enjoy freshly ground coffee for every cup with an exclusive Ceramic Disk Grinding System. Ceramic Disks deliver quality performance and minimize noise allowing for a smooth, consistent texture and flavor in every cup.
- Coffee customization settings store up to 8 personalized beverages with names so family members and houseguests can program their favorite drinks – from a single shot espresso, to tea, to extra-large cappuccinos.
- Cleanup has never been easier. Using both hot water and steam, the machine features a fully automatic rinse program at turn-on and turn-off, so it's always ready for the next fresh-tasting pour.
- Wifi equipped offerings include Playlist feature enabling you to place everyone's order in the Home Connect® app and let your coffee machine handle the rest.

ACCESSORIES - INCLUDED

Stainless Steel Milk Container, Measuring Spoon, 1 Water Hardness Test Strip

ACCESSORIES - OPTIONAL

| | |
|--------------------------------|-----------|
| 30" Stainless Steel Trim Kit | TCMTK30RS |
| Stainless Steel Milk Container | 11005967 |
| 1 Lb. Bean Container | 11015223 |
| Water Filter | 12008246 |
| Descaling Tablets | 00573828 |
| Cleaning Tablets | 00573829 |

GENERAL PROPERTIES

Modes: Ristretto, Espresso, Espresso Macchiato, Coffee, Cappuccino, Latte Macchiato, Caffè Latte, Milk Froth, Warm Milk, Hot Water, Steam Clean, Clean, Descaling

Settings: One or Two Cups, Adjustable Cup Sizes, Brewing Temperature, Coffee Strength, Grind Adjustment

Programming: Personalized Beverages, Language, Light and Display Brightness, Water Hardness, Temperature, Time, Demo Mode, Child-proof Lock, Key Sounds

Sensor Alerts: Water Level, Bean Container, Drip Tray, Coffee Grounds

| | |
|---|----------------------------|
| Beverages Available | 10 (28 with Home Connect®) |
| Coffee Sizes | 15 |
| Memory Beverages | 8 |
| Double Cup Option | Yes |
| Coffee Strength Adjustment | 6 Levels |
| Built-in Water Filter | Yes |
| Automatic Cleaning | Yes |
| Water Container Capacity (gal.) | 5/8 gallon |
| Bean Container | 1 lb. (16 oz.) |
| Powder Coffee | 2 Scoops |
| Stainless Steel Milk Container (17 oz.) | Sealable |
| Home Connect® (Wi-Fi Enabled) | Yes |

DESIGN ELEMENTS

| | |
|--------------------|-------------------------------|
| Display | Multilingual TFT Color Screen |
| Beverage Dispenser | Adjustable to Fit Tall Cups |
| Flush Installation | Yes |

TECHNICAL DETAILS

| | |
|-------------------------|-------------------------------------|
| Watts (W) | 1,600 W |
| Circuit Breaker (A) | 15 A |
| Current (A) | 10 V |
| Volts (V) | 120 V |
| Plug Type | NEMA 5-15R, 2-Pole 3-Wire Grounding |
| Power Cord Length (in.) | 39" |
| Energy Source | Electric |
| Pump Pressure (Bar) | 275 psi (19 bar) |

DIMENSIONS & WEIGHT

| | |
|---|--------------------------|
| Overall Appliance Dimensions (HxWxD) (in) | 17 7/8" x 23 3/8" x 14"* |
| Net Weight (lbs) | 43 lbs* |

WARRANTY

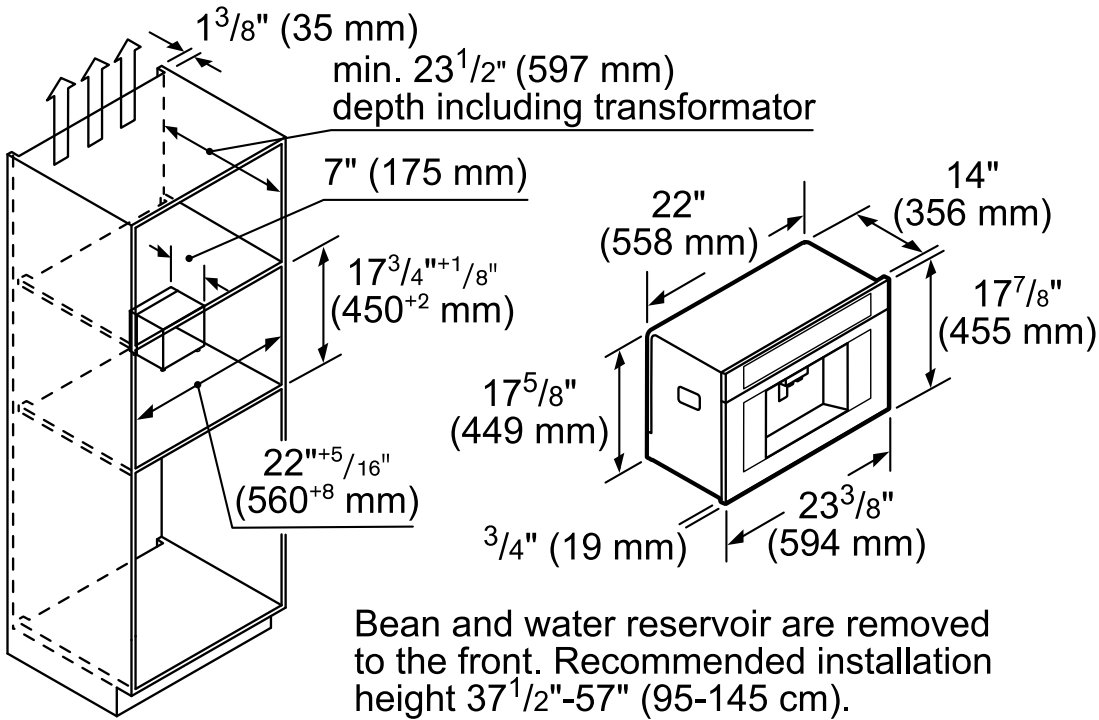
| | |
|---|--------|
| Limited Warranty, Entire Appliance, Parts and Labor | 2 Year |
|---|--------|

*Not including transformer

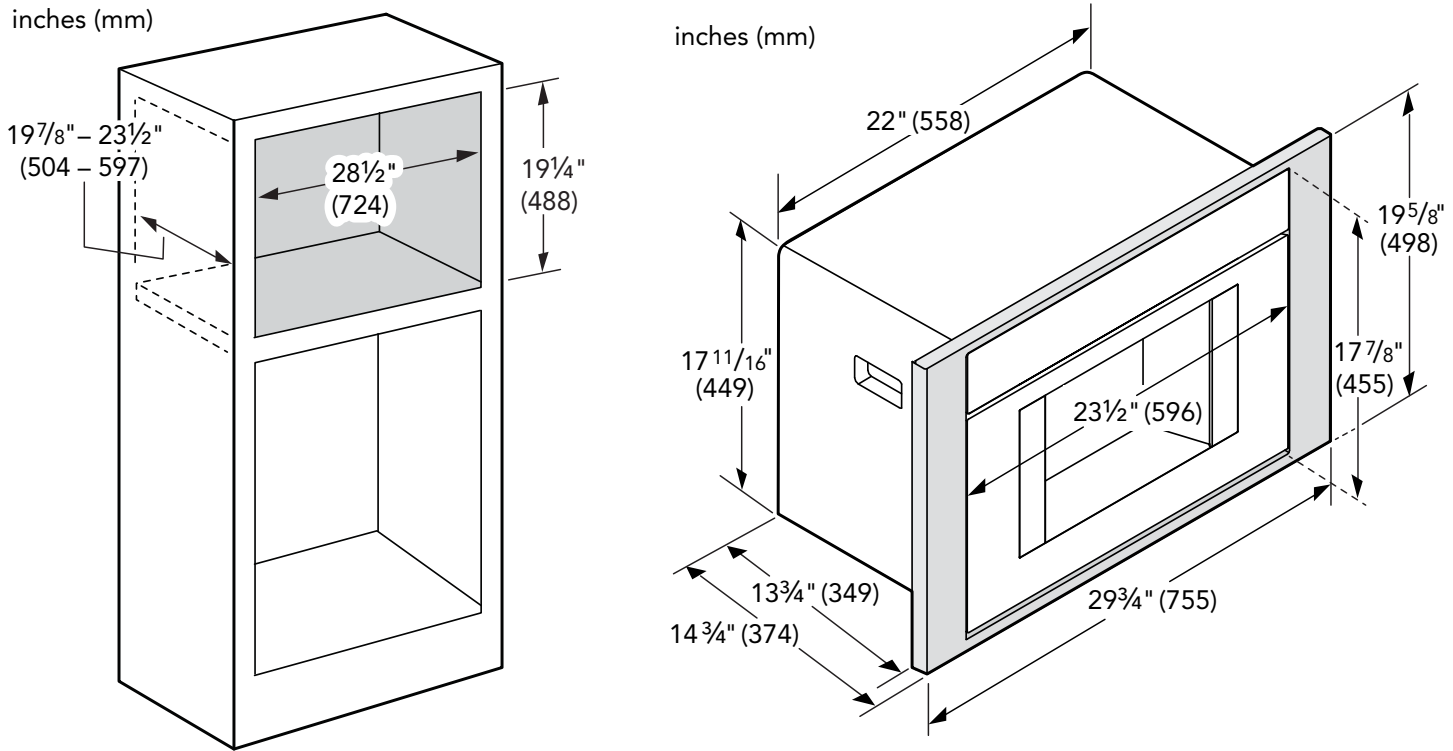
TCM24TS
24-INCH BUILT-IN COFFEE MACHINE
WITH HOME CONNECT®
 MASTERPIECE® & PROFESSIONAL SERIES



COFFEE MACHINE & CUTOUT DIMENSIONS



CUTOUT DIMENSIONS WITH OPTIONAL 30-INCH TRIM KIT TCMTK30RS



TCM24TS

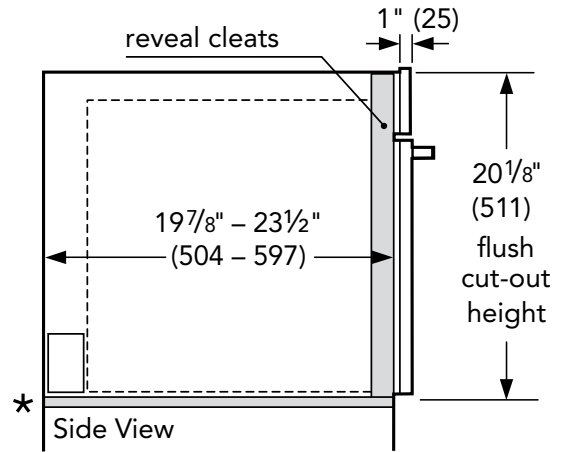
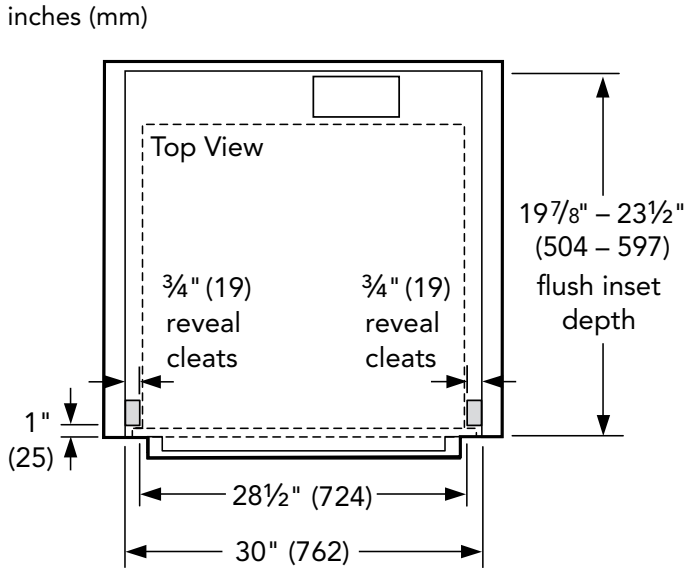
24-INCH BUILT-IN COFFEE MACHINE WITH HOME CONNECT®

MASTERPIECE® & PROFESSIONAL SERIES



FLUSH INSTALL WITH OPTIONAL 30-INCH TRIM KIT TCMTK30RS

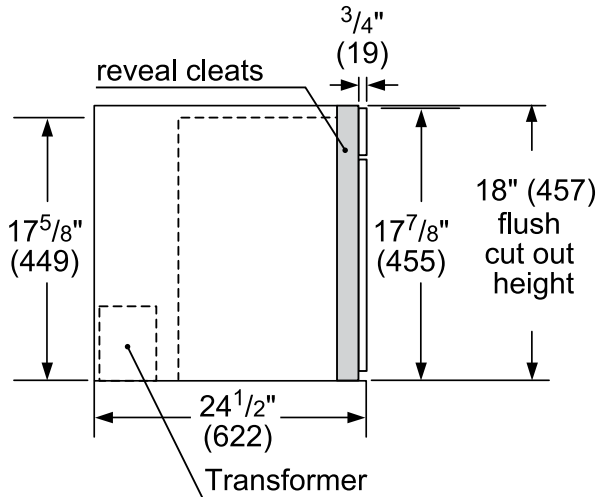
inches (mm)



NOTE: * Flush installation requires a 5/16" (8 mm) high x 28¹/₂" (724 mm) wide x 22¹/₂" (571 mm) deep baseplate underneath the unit body.

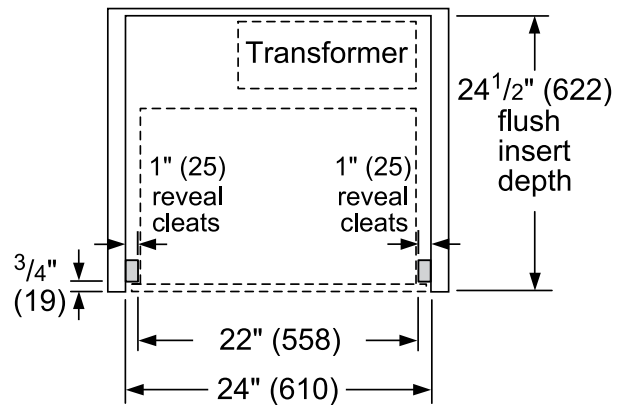
FLUSH INSTALL

Side View



measurements in inches (mm)

Top View



measurements in inches (mm)

These warranties give you specific legal rights and you may have other rights that vary from state to state. Limited warranty from date of delivery. For complete warranty details, refer to your Use & Care manual, or ask your dealer.

Specifications are for planning purposes only. Refer to installation instructions and consult your countertop supplier prior to making counter opening. Consult with a heating and ventilation engineer for your specific ventilation requirements. For the most detailed information, refer to installation instructions accompanying product or write to Thermador indicating the model number. Specifications are correct at time of printing. Thermador reserves the right to change product specifications or design without notice. Some models are certified for use in Canada. Thermador is not responsible for products that are transported from the U.S. for use in Canada.