

Installation

INSTRUCTIONS

Professional Wall Hoods



Installation

INSTRUCTIONS

Professional Wall Hoods

Table of contents (English)	1
Table de matières (Français)	20
Índice de materias (Español)	41

**Models |
Modèles |
Modelos:**

PH30HWS
PH36HWS
PH48HWS
PH36GWS
PH42GWS
PH48GWS
PH54GWS
PH60GWS

Table of contents

Safety	2
Important safety instructions	2
Advanced planning	4
Before you begin	4
General information	5
Installation instructions	6
Installation considerations	6
Electrical requirements	7
Ductwork preparation	7
Choosing the correct blower	9
Attaching the hood transition	10
Wall mount installation	11
Cabinet installation	13
Blower motor installation	14
Electrical wire connection	15
EXTNCB25W 25 ft. remote and in-line blower extension cable (optional)	15
Remote control installation (optional)	16
Make-up air damper relay switch (optional)	17
Duct cover installation (optional)	17
Installing grease trays, filters and spacers	18
Heat lamp installation (some models)	18
Installer checklist and service	19
Installer checklist	19
Before calling service	19
Product data rating label	19
Support, parts, and accessories	back page

This THERMADOR® appliance is made by
 BSH Home Appliances Corporation
 1901 Main Street, Suite 600
 Irvine, CA 92614

Questions?

1-800-735-4328

www.thermador.com or www.thermador.ca

We look forward to hearing from you!

⚠ IMPORTANT SAFETY INSTRUCTIONS

READ AND SAVE THESE INSTRUCTIONS

All product manuals may be downloaded online at www.thermador.com/us/support/owner-manuals or www.thermador.ca/en/support/owner-manuals.

INSTALLER: Please leave these instructions with this unit for the owner.

OWNER: Please retain these instructions for future reference. Read all safety instructions before operating the appliance. Have the installer show you where the electric circuit breaker and the gas supply shut-off valve are located so you know how and where to turn off the gas and electricity to the appliance.

Safety definitions

⚠ WARNING: This indicates that death or serious injuries may occur as a result of non-observance of this warning.

⚠ CAUTION: This indicates that minor or moderate injuries may occur as a result of non-observance of this warning.

NOTICE: This indicates that damage to the appliance or property may occur as a result of non-compliance with this advisory.

Note: This alerts you to important information and/or tips.

WARNING



If the information in this manual is not followed exactly, a fire or explosion may result causing property damage, personal injury or death.

-
- **DO NOT store or use gasoline or other flammable vapors and liquids in the vicinity of this or any other appliance.**
 - **WHAT TO DO IF YOU SMELL GAS**
 - **DO NOT** try to light any appliance.
 - **DO NOT** touch any electrical switch.
 - **DO NOT** use any phone in your building.
 - **Immediately call your gas supplier from a neighbor's phone. Follow the gas supplier's instructions.**
 - **If you cannot reach your gas supplier, call the fire department.**
 - **Installation and service must be performed by a qualified installer, service agency or the gas supplier.**
-

WARNING

Turn off power circuit at service panel and lock out panel before wiring this appliance. Requirement: 120 VAC, 60 Hz, 15 A or 20 A for some models. Allow the appliance to cool after the power has been turned off before servicing the appliance.

WARNING

Automatically operated device

To reduce the risk of injury disconnect from power supply before servicing.

WARNING: TO REDUCE THE RISK OF FIRE, ELECTRIC SHOCK, OR INJURY TO PERSONS, OBSERVE THE FOLLOWING:

- Use this unit only in the manner intended by the manufacturer. If you have questions, contact the manufacturer.
 - Before servicing or cleaning unit, switch power off at service panel and lock the service disconnecting means to prevent power from being switched on accidentally. When the service disconnecting means cannot be locked, securely fasten a prominent warning device, such as a tag, to the service panel. Contact the manufacturer at the address or telephone number listed on the back page.
-

WARNING

DO NOT repair or replace any part of the appliance unless specifically recommended in the manuals. Improper installation, service or maintenance can cause injury or property damage. Refer to this manual for guidance. All other servicing should be done by an authorized service provider.



WARNING: ELECTRICAL SHOCK HAZARD

- **DO NOT** remove connections.
 - **DO NOT** use an extension cord.
 - Improper grounding can result in a risk of electric shock.
 - Failure to follow these instructions can result in death, fire, or electrical shock.
-

⚠️ IMPORTANT SAFETY INSTRUCTIONS

READ AND SAVE THESE INSTRUCTIONS

Grounding instructions

This appliance must be grounded. In the event of an electrical short circuit, grounding reduces the risk of electric shock by providing an escape wire for the electric current.

Be sure your appliance is properly installed and grounded by a qualified technician. Installation, electrical connections and grounding must comply with all applicable codes.

If required by the National Electrical Code (or Canadian Electrical Code), this appliance must be installed on a separate branch circuit.

WARNING

To reduce the risk of fire or electric shock, **DO NOT** use this appliance with any solid-state speed control devices.

Safety codes and standards

This appliance complies with one or more of the following Standards:

- UL 507, The Standard for the Safety of Electric Fans
- CSA C22.2 No. 113, Fans and Ventilators

It is the responsibility of the owner and the installer to determine if additional requirements and/or standards apply to specific installations.

CAUTION



Unit is heavy and requires at least two people or proper equipment to move and install.

Hidden surfaces may have sharp edges. Use caution when handling the appliance. Failure to do so may result in property damage or personal injury.

Never modify or alter the construction of the appliance. For example, do not remove panels, wire covers or brackets/screws.

CAUTION

For general ventilating use only. **DO NOT** use to exhaust hazardous or explosive materials and vapors. To reduce the risk of fire, use only metal ductwork.

Remove all tape and packaging before using the appliance. Dispose of packaging in an environmentally-responsible manner. Never allow children to play with packaging material.

WARNING

TO REDUCE THE RISK OF FIRE, ELECTRIC SHOCK, OR INJURY TO PERSONS, OBSERVE THE FOLLOWING:

- Installation work and electrical wiring must be done by qualified person(s) in accordance with all applicable codes and standards, including fire-rated construction.
 - Sufficient air is needed for proper combustion and exhausting of gases through the flue (chimney) of fuel burning equipment to prevent back drafting. Follow the heating equipment manufacturer's guideline and safety standards such as those published by the National Fire Protection Association (NFPA), and the American Society for Heating, Refrigeration and Air Conditioning Engineers (ASHRAE), and the local code authorities.
 - When cutting or drilling into wall or ceiling, do not damage electrical wiring and other hidden utilities.
 - Ducted fans must always be vented to the outdoors.
 - **USE ONLY METAL DUCTWORK.**
 - **DO NOT** vent exhaust air in spaces with walls or ceilings or into attics, crawl spaces or garages.
-

CAUTION

An outside fan is to be mounted behind louvers or in a location where the entrance of drawn in water is unlikely.

Proposition 65 Warning

This product may contain a chemical known to the State of California, which can cause cancer or reproductive harm. Therefore, the packaging of your product may bear the following label as required by California:

State of California Proposition 65 Warning:

⚠️ **WARNING**

Cancer and Reproductive Harm -
www.P65Warnings.ca.gov

Advanced planning

Before you begin

⚠ WARNING

Improper installation of gas appliances and ventilation hoods can create a risk for carbon monoxide which can be harmful. To reduce the risk of carbon monoxide poisoning, ensure the gas appliance is properly installed according to the manufacturer's instructions, as well as ensuring the hood is vented to the outside for proper exhausting of gases or fumes.

Gas cooking appliances release carbon monoxide that can be harmful or fatal if inhaled. To reduce the risk of fire and to properly exhaust air, the exhaust gases extracted by the hood should be vented outside of the building only.

Consult local building codes for requirements or restrictions related to installation of ventilation products in recirculation mode.

Hood installation height above a cooktop, rangetop or range can vary. To obtain the necessary installation height above a cooktop, rangetop or range, consult the appliance's installation manual or combination matrix.

NOTICE: The hood can be damaged from excessive heat if a range or rangetop is operated with multiple burners at high settings under a hood that is installed at minimum clearances and is turned off.

Distance from cooking surface

The installation height above a cooktop, rangetop or range is recommended as a minimum height of 30" (762 mm); however, it is necessary to follow the cooking appliance manufacturer's installation instructions for proper hood height.

Refer to local building codes for the latest requirements or restrictions when installing ventilation products in recirculation mode.

Parts included

- Metal transition with backdraft damper
- Baffle filters
- Grease trays
- Filter spacers
- Heat lamps (on PHxxGWS models)
- Blower adapter
- Wood support bracket used as hood mounting bracket (part of install- **DO NOT THROW AWAY**)
- Fastener assortment*

* Hardware provided is for mounting through standard thickness drywall or plaster into wood studs. Installers are responsible to provide hardware for other types of mounting situations.

Tools and parts needed

- Blower (refer to the *Ventilation Planning Guide* for compatible blowers)
- Ducting as needed (refer to the "Equivalent duct lengths for commonly used transitions" table)
- Aluminum tape (**DO NOT use duct tape.**)
- 1/2" (13 mm) conduit if required (follow local codes)
- 1" (25.4 mm) strain relief
- Cross-head screwdriver
- T-20 star-head screwdriver
- Drill with 3/16" (4.76 mm) drill bit
- 11/32" nut driver or socket and ratchet
- Circular saw or jigsaw
- Tape measure
- Protective work gloves

IMPORTANT: DO NOT throw away any packaging until appliance is fully installed.

Optional accessories available for separate purchase

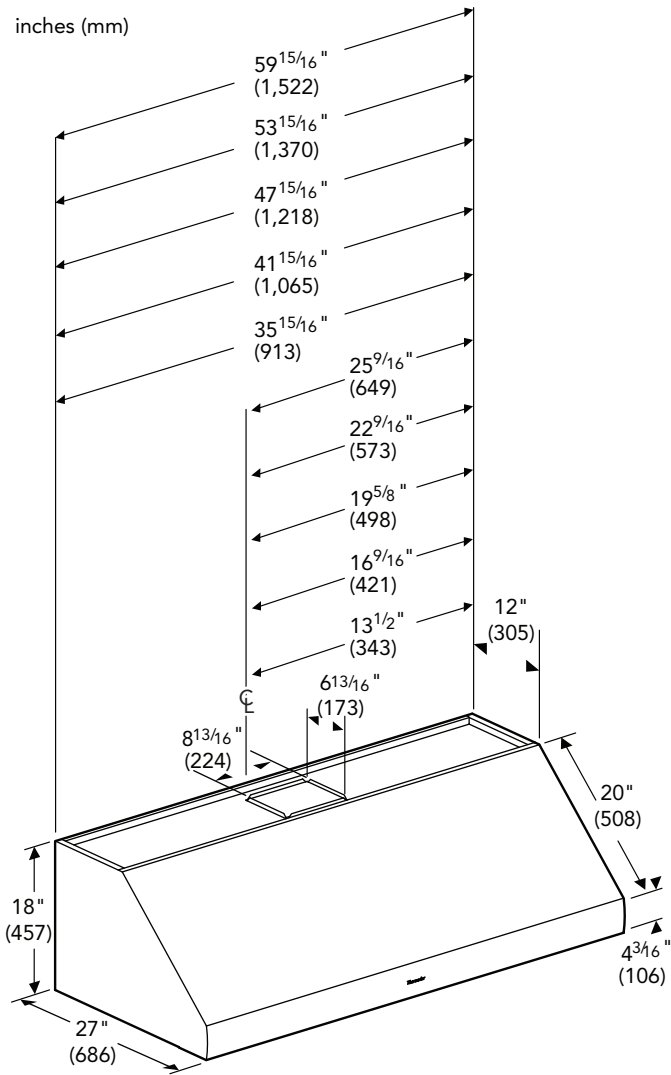
Refer to www.thermador.com for more details.

Accessories	Description
EXTNCB25W	25 ft. remote and in-line blower extension cable
EXTNSET4	25 ft. remote and in-line blower extension cable adapter kit
RFPLT600P	Roof plate for use with remote blower VTR1FZ
RFPLT1000P	For use with remote blower VTR2FZ
REMCPW	Remote control panel

General information

Overall dimensions

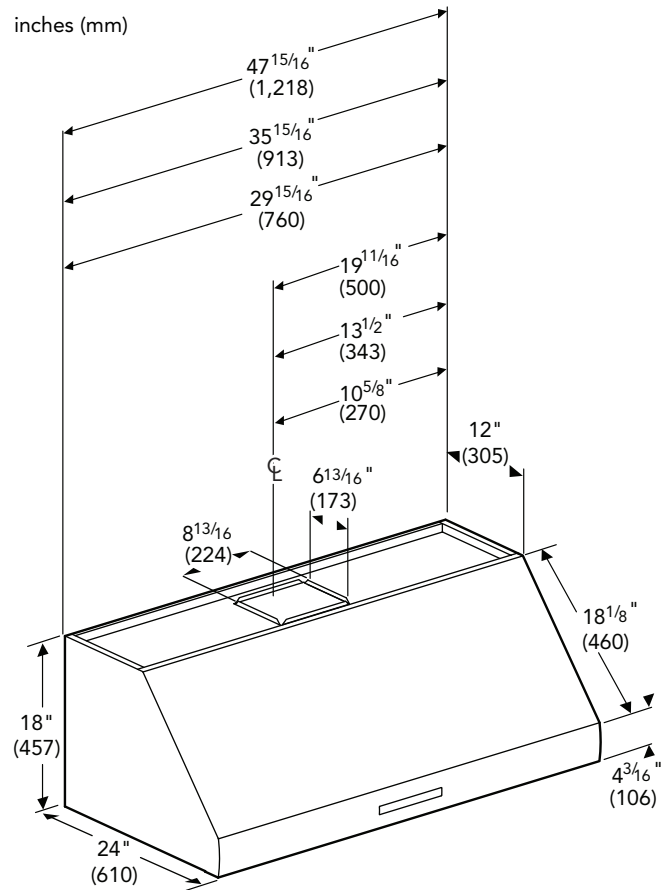
PHxxGWS – This model series is 27" (686 mm) in depth and features brushed stainless-steel canopy with LED lights and heat lamps.



NOTE: Transition is centered horizontally.

IMPORTANT: The hood needs to be centered over the cooking surface for best performance.

PHxxHWS – This model series is 24" (610 mm) in depth and features brushed stainless-steel canopy with LED lights.



NOTE: Transition is centered horizontally.

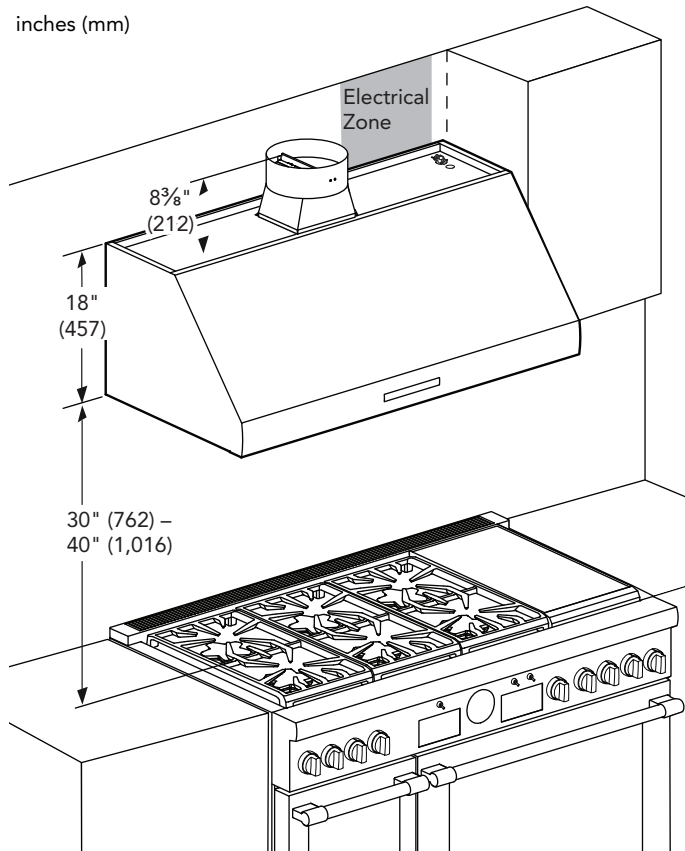
IMPORTANT: The hood needs to be centered over the cooking surface for best performance.

Installation instructions

Installation considerations

Clearances and requirements

inches (mm)



*Follow cooking appliance manufacturer's recommendations.

Hood width

- The hood width should be no less than the width of the cooking surface. For proper performance, the housing must cover the entire cooking surface.
- For proper performance, the hood must be centered horizontally above the cooking surface. Where space is not restricted, a wider hood can be used to increase capture area.

Distance from cooking surface

- Hood installation height above a cooktop, rangetop or range can vary.
- The installation height ranges from a minimum height of 30" (762 mm) to a suggested maximum height of 40" (1,016 mm). However, it is necessary to follow the cooking appliance manufacturer's installation instructions for proper hood height.

NOTICE: The hood could incur some damage from heat if a Thermador Professional® series range or rangetop is operated with multiple burners at high settings under a hood that is installed at minimum clearances while the hood is turned off.

Unit weight

- This vent hood is heavy. Adequate structure and support must be provided in all types of installations.
- When calculating the load for the housing support system, be sure to consider the weight of the ventilation unit.

Description	Weight
PH30HWS	62 lbs. (28 kg)
PH36HWS	70 lbs. (32 kg)
PH48HWS	85 lbs. (39 kg)
PH36GWS	75 lbs. (34 kg)
PH42GWS	84 lbs. (38 kg)
PH48GWS	90 lbs. (41 kg)
PH54GWS	96 lbs. (44 kg)
PH60GWS	103 lbs. (47 kg)
Integral blower model VTN1DZ	8 lbs. (3.6 kg)
Integral blower model VTN2FZ	19 lbs. (8.6 kg)

NOTICE:

The supplied weights address only the ventilation unit and blower. Installer must account for weight of any materials of construction when calculating the total dead weight load of installation, including but not limited to: wall, tile, mortar, plaster, brick, finishes, partitions, and other similarly incorporated architectural and structural items. It is the responsibility of the owner and the installer to determine if additional requirements and/or standards apply to specific installations.

Support structure

- Due to the weight of the hood, make sure the wood mounting bracket is attached to all available wall studs.
- Wall framing should be, at minimum, made of 2" x 4" lumber. Proper structural support is required to accommodate the weight of the hood.

Venting

- The hood requires the ducting to be vented to the exterior of the building.

Electrical requirements

⚠ WARNING

The appliance must be grounded.

- The unit requires a 120V AC, 60Hz, 15A branch circuit. The VTN2FZ blower in conjunction with a PHxxGWS requires a 20 amp circuit breaker.
- The hood should only be connected to a dedicated circuit (with ground) that has been installed according to relevant regulations.
- When connected to a GFCI-protected supply, Thermador Professional® hoods are suitable for use in damp locations that are protected from outside weather conditions and not subject to saturation with water and other liquids, but can be subject to moderate degrees of moisture (such as an outdoor covered patio or lanai area). Refer to local codes, NEC/CEC, and or the Authority Having Jurisdiction (AHJ) for additional information.
- Check your local building codes for proper method of installation. This unit should be installed in accordance with applicable local codes or, in the absence of local codes, with the National Electrical Code, NFPA 70 or the Canadian Electric Code, CSA C22.1-02.
- The 25 ft. remote and in-line blower extension cable accessory (EXTNCB25W) will only work for distances up to 25 ft. The accessory cable must be purchased separately. **DO NOT** use more than one blower extension cable per installation.

Electrical data


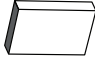

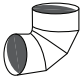
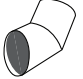
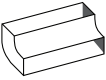
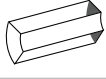

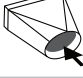

- Data, including the model and serial number, is located on the product data rating label inside the appliance, visible after removal of the filter frame (see "Product data rating plate" on page 19").

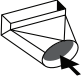
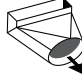
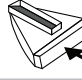

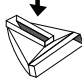
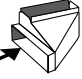


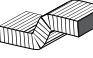
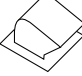
Ductwork preparation

- The exhaust air is discharged upwards through a duct or directly through the outside wall into the open.
- The hood can be mounted on the wall only with a vertical discharge.

- Proper performance is dependent upon proper ducting. Local building codes may require the use of make-up air systems when using ducted ventilation systems greater than specified cubic feet per minute (CFM) of air movement.
- The specified CFM varies from locale to locale. It is the responsibility of the owner and the installer to determine if additional requirements and/or standards apply to specific installations.
- **DO NOT USE FLEXIBLE DUCT**; it creates back pressure/air turbulence and reduces performance.
- Always install a metal vent cover where the ductwork exits the house.
- Always install a metal vent cover where the ductwork exits the house.
- Hood must be vented to the outside of building only.
- **COLD WEATHER** installations should have an additional backdraft damper installed to minimize backward cold air flow and a nonmetallic thermal break to minimize conduction of outside temperatures as part of the ductwork. The damper should be on the cold air side of the thermal break. The break should be as close as possible to where the ducting enters the heated portion of the house.
- **MAKE-UP AIR:** Local building codes may require the use of make-up air systems when using ducted ventilation systems greater than specified CFM of air movement. The specified CFM varies from locale to locale. It is the responsibility of the owner and the installer to determine if additional requirements and/or standards apply to specific installations.
- To reduce risk of fire and to properly exhaust air, be sure to duct air outside. Do not vent exhaust air in spaces with walls or ceilings or into attics, crawl spaces or garages.
- Thermador® recommends not exceeding 50 ft (15.24 m) equivalent of duct.
- Keep duct runs as short and straight as possible. Elbows and transitions fittings reduce air flow efficiency. Back to back elbows and "S" turns give very poor delivery and are not recommended.
- A short, straight length of duct at the inlet of a remote blower gives the best delivery.
- Hoods are supplied with a 10" (254 mm) transition. A locally supplied transition is required for other sizes.
- Use the "Equivalent duct lengths for commonly used transitions" table to compute permissible lengths for duct runs to outdoors.

Equivalent duct lengths for commonly used transitions

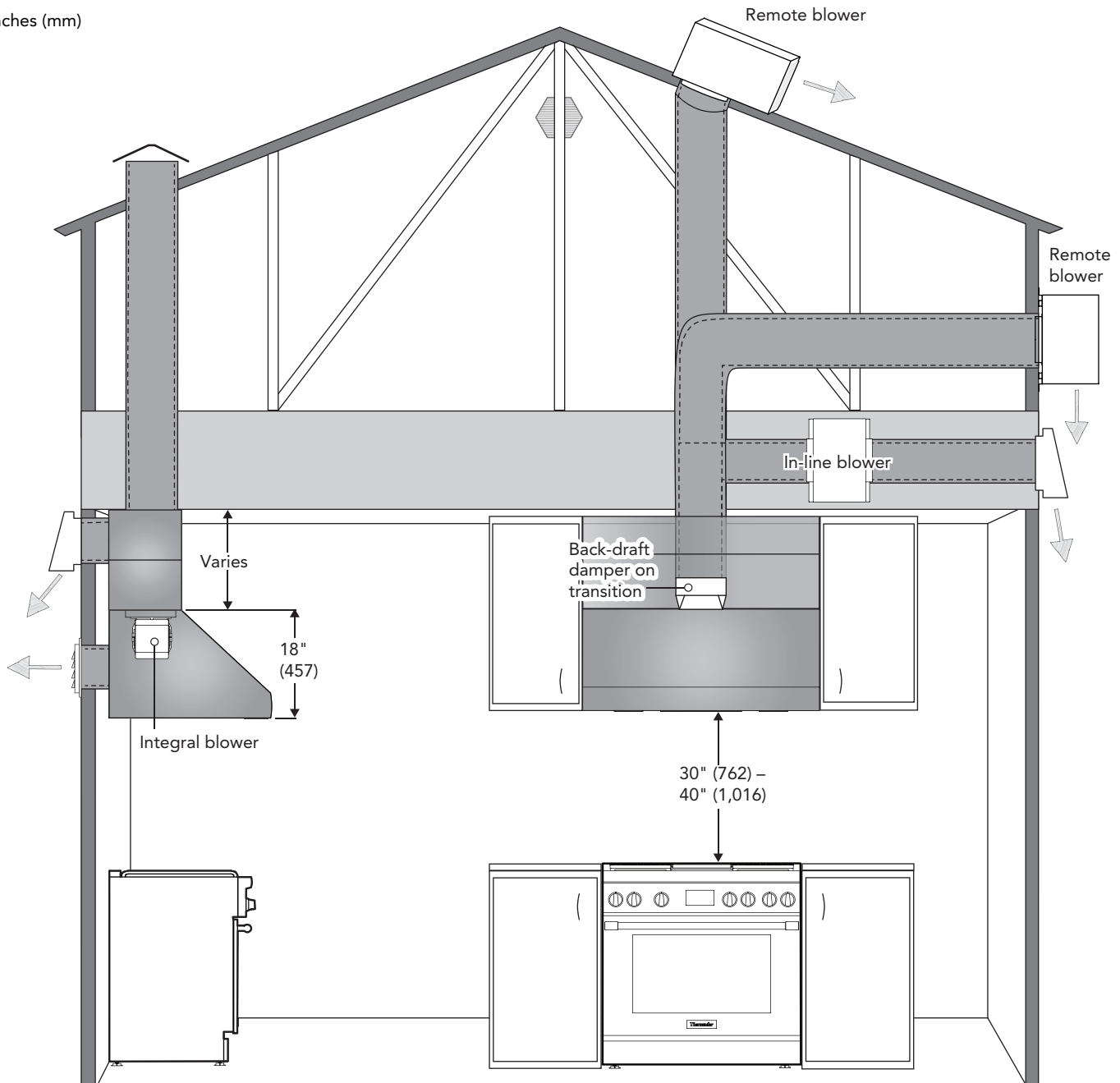
Duct piece	Size (in)	Equivalent length (ft)
 Smooth, straight	6	1.2
	8	0.7
	10	0.6
 3/4" x 10", straight	N/A	1
 3/4" x 14", straight	N/A	0.7
 90° elbow , round	6	12
	8	6
	10	5
 45° elbow , round	6	5
	8	3
	10	2
 3/4" x 10", 90° elbow , round	N/A	5
 3/4" x 10", 45° elbow , round	N/A	15
 3/4" x 10", flat elbow	N/A	20
 Round to 3/4" x 10"	6	1
	8	10
 3/4" x 10" to round	6	5
	8	2

Duct piece	Size (in)	Equivalent length (ft)
 Round to 3/4" x 10" 90° elbow ,	6	10
 3/4" x 10" to round 90° elbow ,	6	10
 3/4" x 10" center reverse elbow , left	N/A	15
 3/4" x 10", center reverse elbow , right	N/A	25
 3/4" x 10", left reverse elbow	N/A	15
 3/4" x 10", right reverse elbow	N/A	25
 Round wall cap	6	2
	8	2
	10	2
 Round roof cap	6	2
	8	2
	10	2
 2' long, 3/4" x 10" flex	N/A	20
 3/4" x 10", roof jack and shutter	N/A	2

NOTE: These commonly used installation parts can be purchased at a local hardware store. Thermador does not manufacture all these parts.

Common ducting configurations

inches (mm)



NOTE: The figure does not represent all configurations or installation methods. The image is to be used as a guide ONLY.

Choosing the correct blower

All blower models are sold separately. It is recommended to use only Thermador blowers with Thermador Pro ventilation hoods. See the "Ventilation Planning Guide" for recommended blowers. Contact Customer Service for additional options (see the back page for contact information).

Integral, in-line and remote blowers are available through your authorized Thermador® dealer. For local dealer information, visit the *Find a Dealer* section of our website at www.thermador.com.

The blower performance options will vary in cubic feet per minute (CFM) and is dictated by the cooking surface, the volume of air that needs to be moved and the length of the duct run. For long duct runs with multiple turns and bends, consider using a more powerful blower. For the most efficient air-flow exhaust, use a straight run or as few elbows as possible (refer to "Ductwork Preparation").

Blower options

Description	SKU
Remote blower (mounted to roof or external wall)	VTR1FZ
	VTR2FZ
In-line blower (mounted between kitchen and external wall)	VTI1FZ
	VTI2FZ
Integrated blower (mounted inside the hood)	VTN1DZ (PH30HWS only)
	VTN2FZ

25 ft. remote and in-line blower extension cable

The 25 ft. remote and in-line blower extension cable (EXTNCB25W) is available to connect the hood to the in-line and remote blowers for distances up to 25 ft. The accessory cable must be purchased separately. **DO NOT** use more than one extension cable per installation.

Attaching the hood transition

Discharge direction

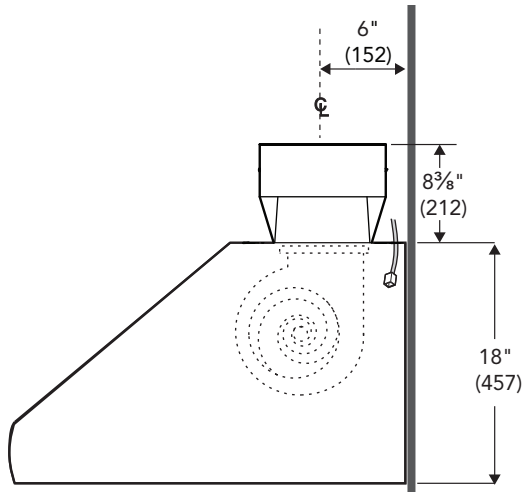
The hood can be mounted on a wall or suspended from a cabinet. Both vertical and horizontal discharge are possible with either mounting method.

Vertical discharge transition

The hood is shipped ready for vertical discharge.

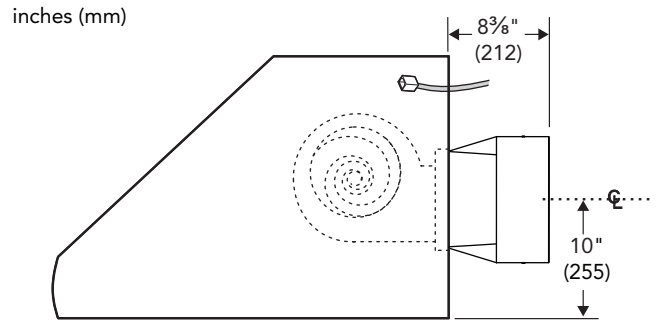
The transition supplied with the hood connects to standard 10-inch round duct. The figure shows the transition connected for vertical discharge.

inches (mm)

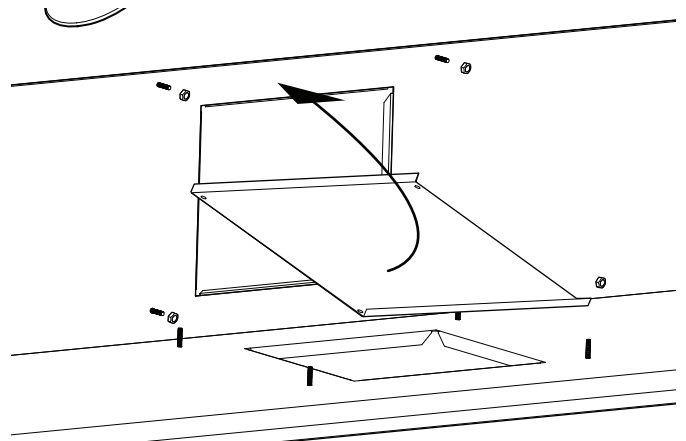


Horizontal discharge transition

The transition supplied with the hood connects to standard 10-inch round duct. The figure shows the transition connected for horizontal discharge.



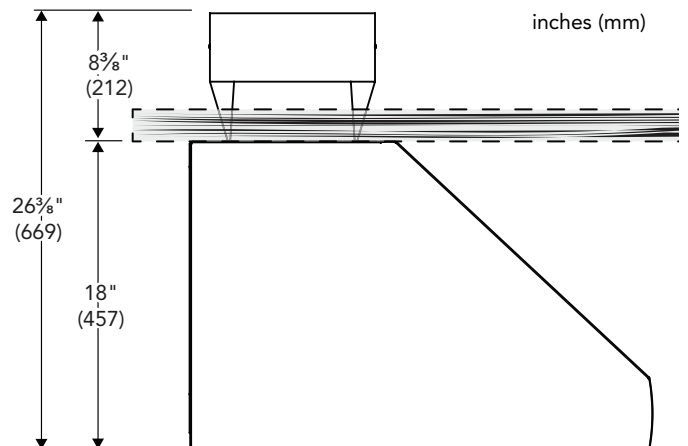
- To change to horizontal discharge, move the discharge cover to the top of the hood. Use a 3/8" nut driver to remove the (4) 3/8" hex nuts from the plate.



Assembly of the transition

Hoods are supplied with a 10" (254 mm) round transition. A locally supplied transition is required for other sizes.

The supplied transition mounts to the top or rear of the hood, depending on the discharge direction.

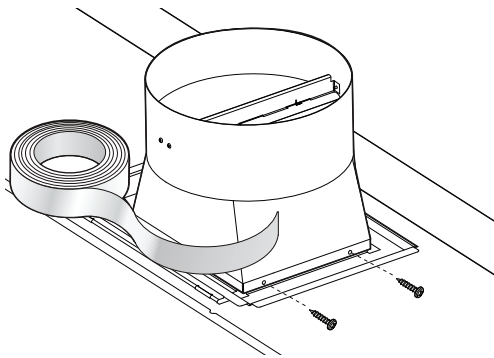


A minimum height clearance of 8-3/8" (212 mm) is needed above the hood for transition mounting.

2. Depending on direction of discharge, align mounting holes at base of transition with the mounting holes of the 1/2" (13 mm) flange located at the top or rear of the hood.
3. Fasten transition to hood using four (4) 1/4" (6 mm) sheet metal screws included with hood.

Note: Screws must not hinder damper operation.

4. Seal connection between transition and hood with aluminum tape. **DO NOT** use duct tape. Ensure that the connection is completely sealed.



5. Remove tape holding damper closed.

Wall mount installation

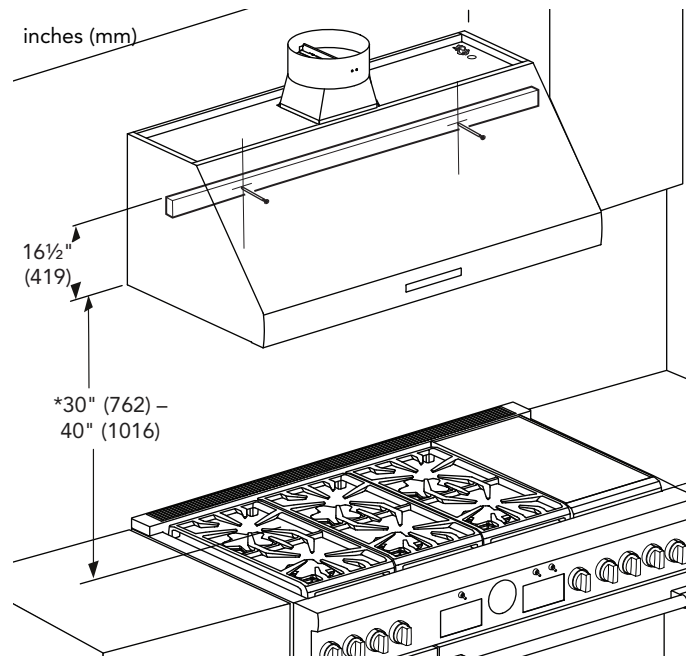
⚠ CAUTION

Before installing, turn power OFF at the service panel. Lock service panel to prevent power from being turned ON accidentally.

Wood hanging bracket

1. The installation height ranges from a minimum height of 30" (762 mm) to a maximum height of 40" (1,016 mm); however, it is necessary to follow the cooking appliance manufacturer's installation instructions for proper hood height. (See "Clearances and requirements" on page 6.)

2. After the hood installation height has been determined, draw a horizontal line at a distance above the cooktop equal to the recommended hood installation height plus 16 1/2" (419 mm). This line is the mounting location of the wood support bracket shipped with the hood.

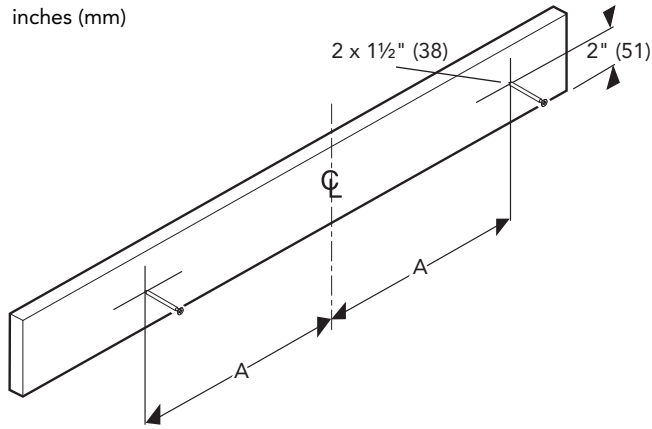


*Follow cooking appliance manufacturer's recommendations.

3. Find the centerline of the hood. Draw a vertical line along this centerline up to the horizontal line drawn in Step 2.
4. The hood is mounted to the wall using the wood support bracket shipped with the hood. Remove the wood support bracket located at the top side of the hood by removing the two shipping screws. Mark the center line of the wood bracket.
5. Locate a stud on both sides of the hood centerline to use for mounting the wood support bracket.
6. Align the top of the wood bracket along the horizontal line drawn in Step 2. Align the centerlines of the bracket and cooktop.
7. Drill a 3" (76 mm) deep 3/16" (3 mm) tap hole through the wood support bracket, wall, and into the stud.
8. Use three, 3" (76 mm) screws to attach the bracket to the wall. For support of the hood, use three studs. Countersink the screw heads to prevent interference with the hood.

9. On the wood bracket, mark the locations used to hang the hood according to the table below.

inches (mm)



Hood size	A
30" (762 mm)	13" (330 mm)
36" (914 mm)	16" (406 mm)
42" (1,067 mm)	19" (483 mm)
48" (1,219 mm)	22" (559 mm)
54" (1,372 mm)	25" (635 mm)
60" (1,524 mm)	28" (711 mm)

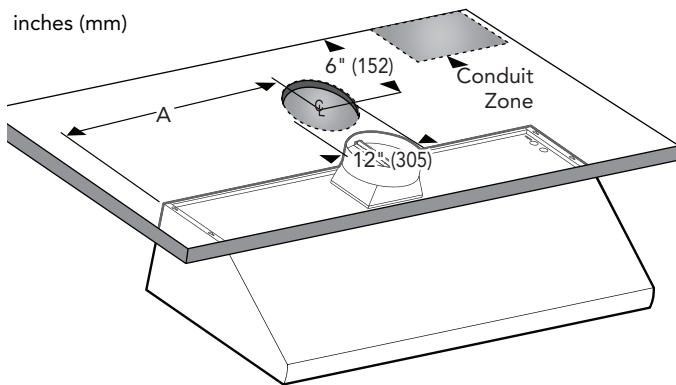
10. Drill a 3/16" (4.8 mm) tap hole through the wood support bracket and wall. These 5/8" (16 mm) screws do not need to go into the studs.
11. Use (2) 5/8" (16 mm) screws to secure the wood bracket leaving 1/4" (6 mm) of each screw exposed for hanging the hood.

Discharge direction

Vertical discharge cutout

Vertical discharge installations require a cutout in the ceiling to accommodate 10" (254 mm) duct and 5/8" (16 mm) diameter clearance hole for 1/2" (12.7 mm) conduit to the junction box.

inches (mm)

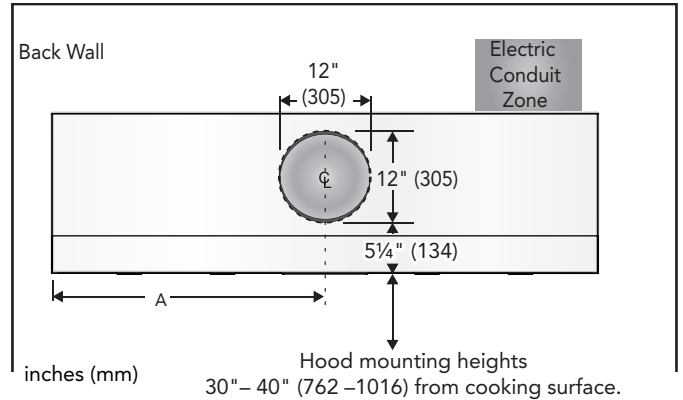


Hood size	A
30" (762 mm)	15" (381 mm)

36" (914 mm)	18" (457 mm)
42" (1,067 mm)	21" (533 mm)
48" (1,219 mm)	24" (610 mm)
54" (1,372 mm)	27" (686 mm)
60" (1,524 mm)	30" (762 mm)

Horizontal discharge cutout

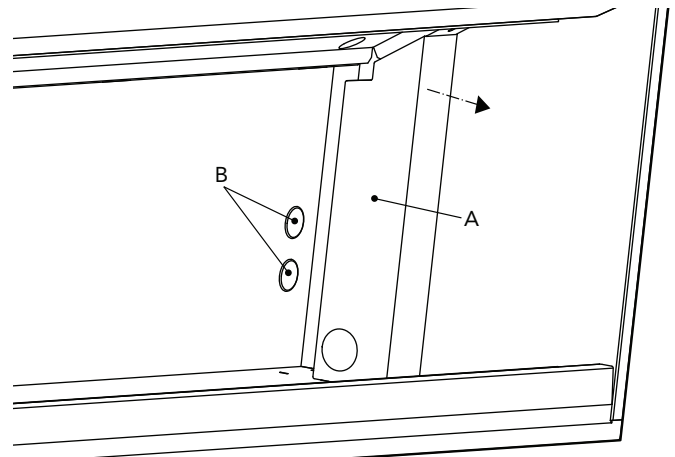
Horizontal discharge requires a wall cutout to provide clearance for the transition. The location of the cutout is determined by the hood installation height.



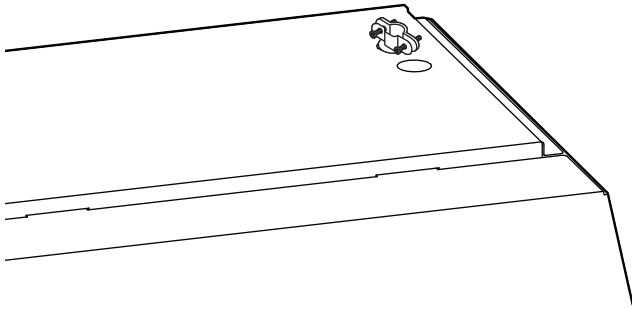
Hood size	A
30" (762 mm)	15" (381 mm)
36" (914 mm)	18" (457 mm)
42" (1,067 mm)	21" (533 mm)
48" (1,219 mm)	24" (610 mm)
54" (1,372 mm)	27" (686 mm)
60" (1,524 mm)	30" (762 mm)

Prepare for the wire routing

12. Remove junction box channel covering the wires (figure, A).
13. Remove one circular knockout behind junction box channel (figure, B).

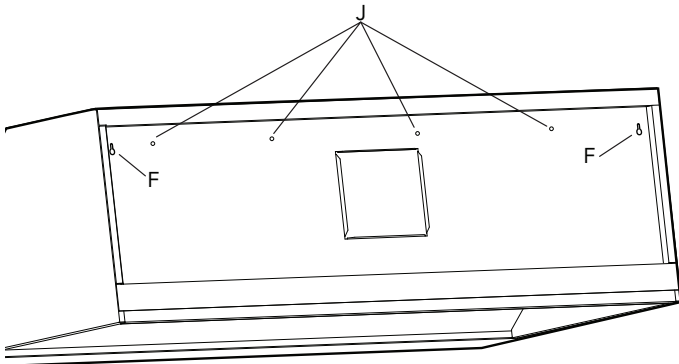


14. Install strain relief (not included) into one of the circular knockouts.



Mounting hood to the wood bracket

15. Before hanging hood, install the transition per "Assembly of the transition" on page 10. Fasten transition with (2) 3/8" sheet metal screws (supplied) and aluminum tape per all applicable codes.
16. Using two people to lift, rest the hood on the screws in the wood bracket. Use the keyholes labeled "F" in the figure. Make sure the wood bracket fits into the recess on the back of the hood.



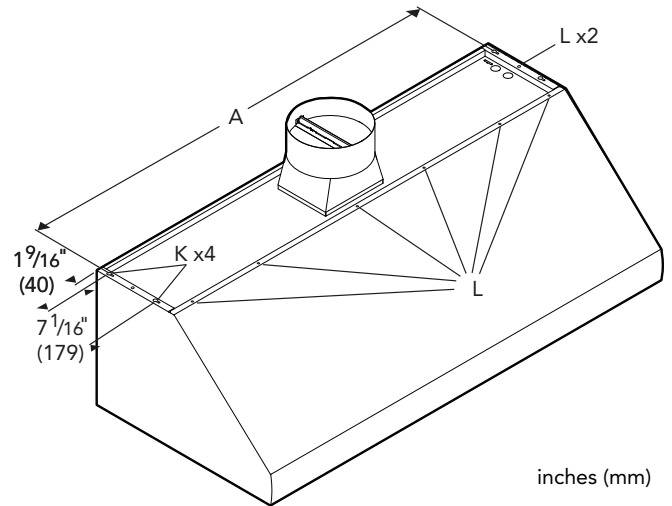
17. Tighten the screws in keyholes. Check hood levelness and adjust if necessary.
18. From inside the hood, drive 5/8" (16 mm) screws through holes in hood into wood support bracket. See holes labeled "J" in the figure.
19. Connect additional ducting.

Cabinet installation

The hood can be installed under a cabinet by supporting the hood from the top.

Note: The cabinet must be structurally joined to the wall studs to support the weight of this hood. Check the structural integrity of the cabinet/wall before proceeding.

The figure shows the (4) screw holes labeled "K" used for mounting the hood to the bottom of the cabinet. Make sure both knockouts have been removed (see "Prepare for the wire routing" on page 12).



Hood size	A
30" (762 mm)	29" (737 mm)
36" (914 mm)	35" (889 mm)
42" (1,067 mm)	41" (1,041 mm)
48" (1,219 mm)	47" (1,194 mm)
54" (1,372 mm)	53" (1,346 mm)
60" (1,524 mm)	59" (1,499 mm)

- In the base of the cabinet, drill 1/8" (3 mm) tap holes spaced as indicated by Dimension A.
- Screw in (4) 1" (25 mm) screws (provided with hood) leaving 1/4" (6 mm) exposed to hang hood on.
- If the hood is installed for vertical discharge, refer to "Vertical discharge transition" on page 10 to create clearance holes for passage of the transition and conduit.
- For horizontal discharge, use See "Horizontal discharge transition" on page 10 for the geometry of the cutout required for clearance of the transition.
- Hang hood from screws and tighten securely.
- From inside of hood, insert screws supplied. Drill through holes, use 5/8" (16 mm) screws supplied, (1) on each side and (4) along the front, into bottom of the cabinet. See screw holes labeled "L" in figure.

Blower motor installation

⚠ CAUTION

To reduce the risk of fire and electric shock, install this range hood only with the blowers listed in the *Ventilation Planning Guide*.

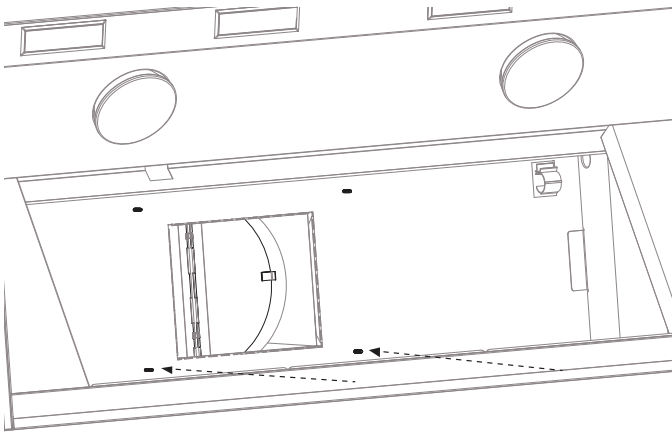
NOTE: Cutting the plug of the blower will void the warranty or eligibility for return or exchange.

Installing the integral blower

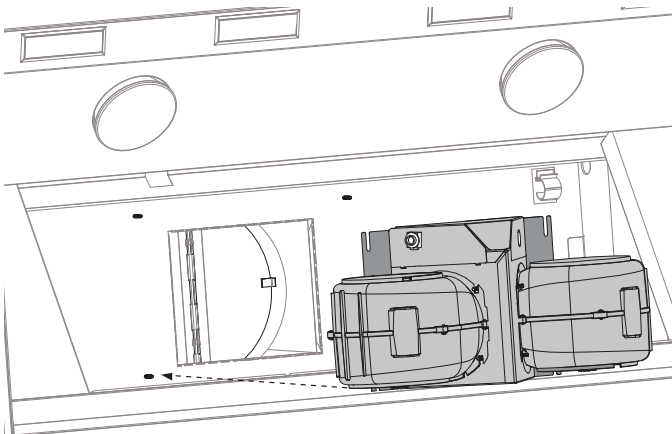
Integral blower models are integrated into the hood at the time of installation. Integral blowers should be installed after the hood is mounted to the wall. For complete installation instructions, see the instructions supplied with the blower unit.

NOTE: Blower and hood image views will vary depending on the model.

1. Thread one (x1) 4m flange nut (included with the hood) half-way down each of the two weld studs indicated.

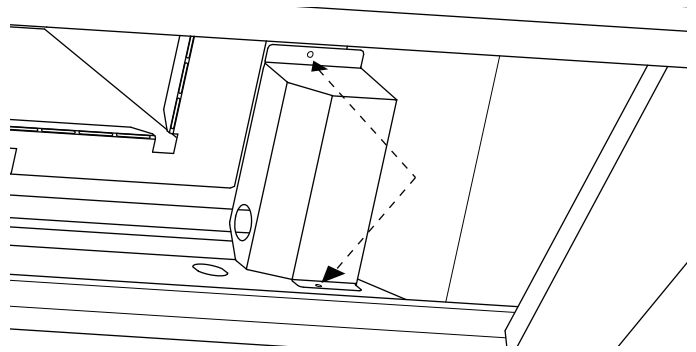


2. Slide the blower mounting plate behind the nuts on the weld studs.



3. Install two (x2) 4m flange nuts (included with hood) to the top weld studs and tighten.

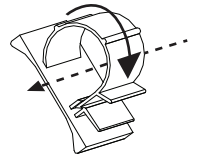
4. Tighten the two (x2) nuts from step 1 to fully secure the blower to the hood.
5. Remove junction box channel covering the wires.



6. Remove one circular knockout behind junction box channel.
7. Connect the blower's plug connector to the connector present inside the hood.



8. Route the blower harness through the self-locking clip.

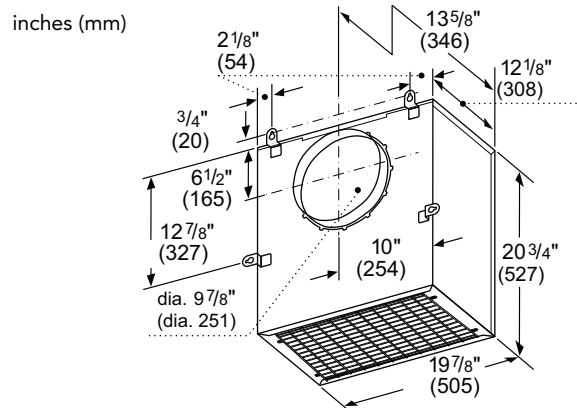


Installing a remote blower or an in-line blower

For complete installation instructions see the instructions supplied with the blower unit.

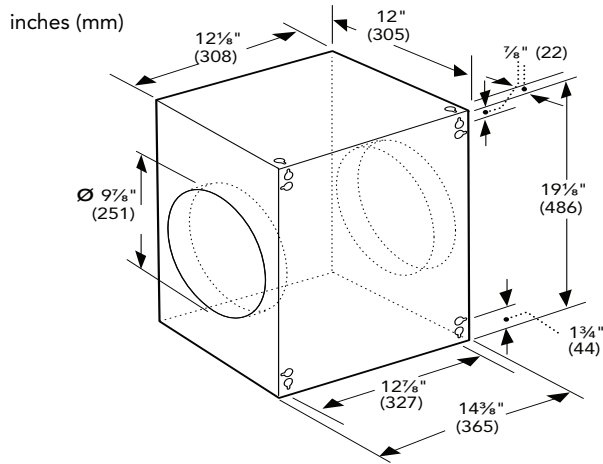
Remote blower

Depending on preference and ducting situation, these blowers can be mounted on the roof or exterior wall of the home. An exterior installation may be more appealing to reduce noise in the kitchen.



In-line blower

To minimize noise in the kitchen, these blowers are mounted along the duct line anywhere between the kitchen and the exterior wall. If there is easy access to duct line (in an attic, for example), this may be an appealing option.

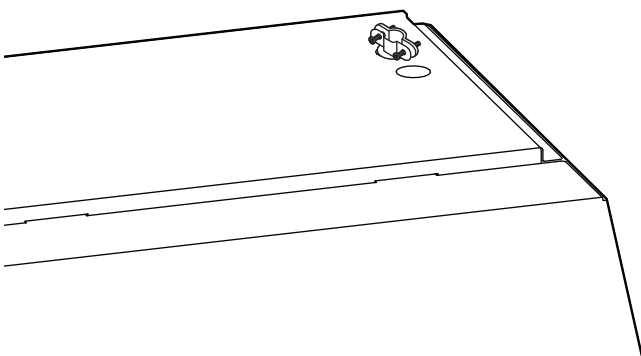


Remote and in-line blower motor wire connection

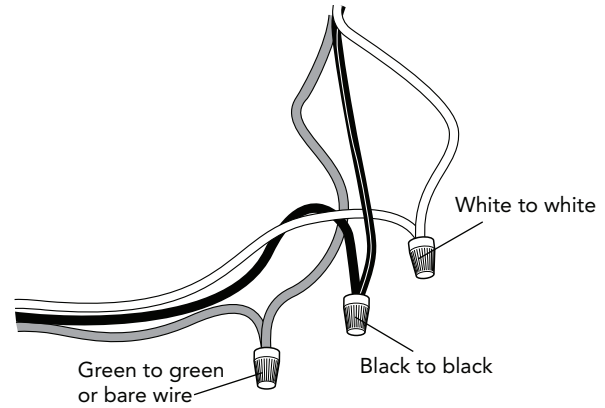
1. Remove junction box channel covering the wires.
2. Remove one circular knockout.
3. Route the blower motor's plug connector to the hood. Connect the blower's harness to the hood harness.
4. Route the blower harness through the self-locking clip.

Electrical wire connection

1. Run a 120V AC, 15 amp circuit power cable from the service panel through one of the holes in the top plate. The VTR1330 blower in conjunction with a PHxxGWS requires a 20 amp circuit breaker.



2. Connect black wire to power supply black wire, white wire to power supply white wire and green wire to green wire or bare wire.



3. Place all wiring connections inside the junction box channel. Reinstall on the top plate. Ensure that the wires are secure and that no wires are pinched.

EXTNCB25W 25 ft. remote and in-line blower extension cable (optional)

Parts included

- 1 – 25ft cable
- 2 – Adapter cables (NOT NEEDED for all models)

Blower extension cable connection

The internal blower harness should be routed through the knockout and secured with a 1" (25.4 mm) strain relief. The remote harness can then be connected to the blower harness outside the unit.

NOTE: Cutting of the connector will void the warranty of the appliance.

The blower extension cable is compatible with the following in-line and remote blowers:

Blower	SKU
Remote blower	VTR1FZ
Remote blower	VTR2FZ
In-line blower	VTI1FZ
In-line blower	VTI2FZ

Built-in remote control accessory (optional)

Before you begin, read these instructions carefully. It is recommended that the Remote Control be wired to the hood after the hood is installed.

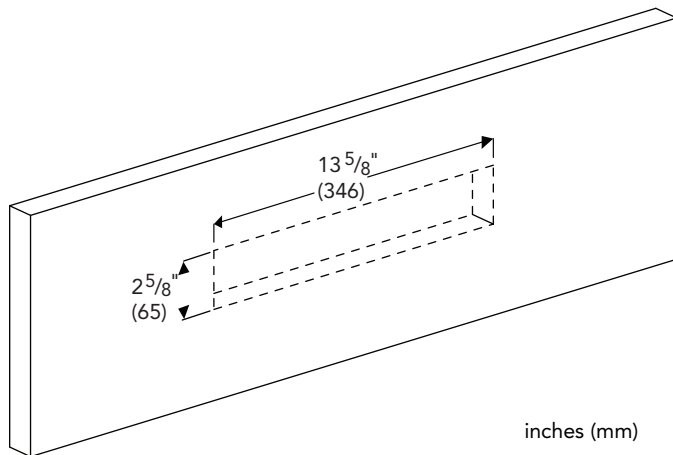
REMCPW parts included

- 1 – remote control
- 1 – 30 ft. extension harness

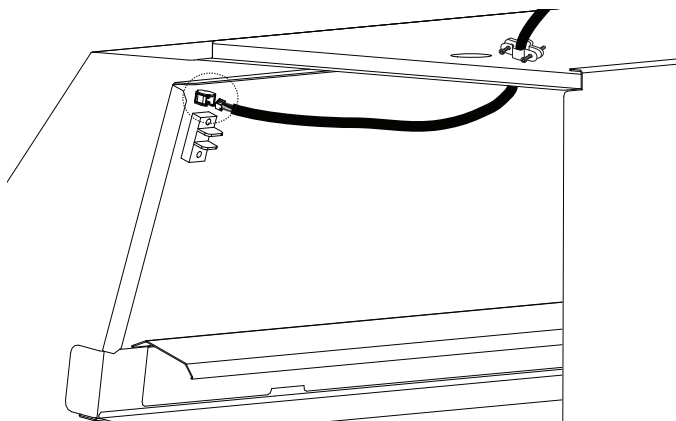
IMPORTANT: Cutting off a connector to the appliance or to the extension cable kit will void the warranty.

Remote control installation

1. Prepare the wall (or similar surface) cutout for installation as shown below (view is shown facing wall).

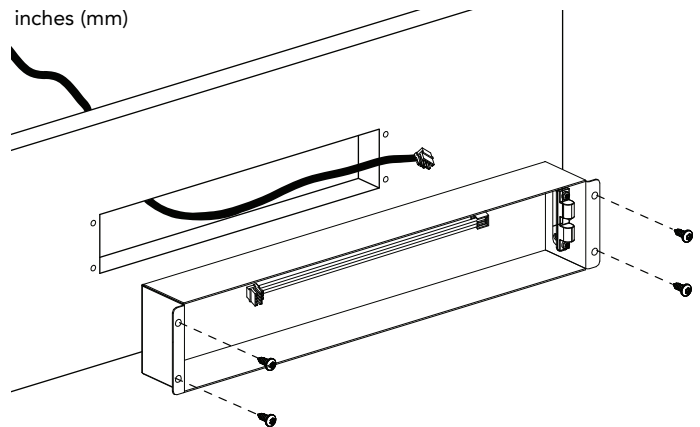


2. Access the hood's wiring. Route the 30 ft. extension harness through the strain relief to the square mounting clip until it clicks.

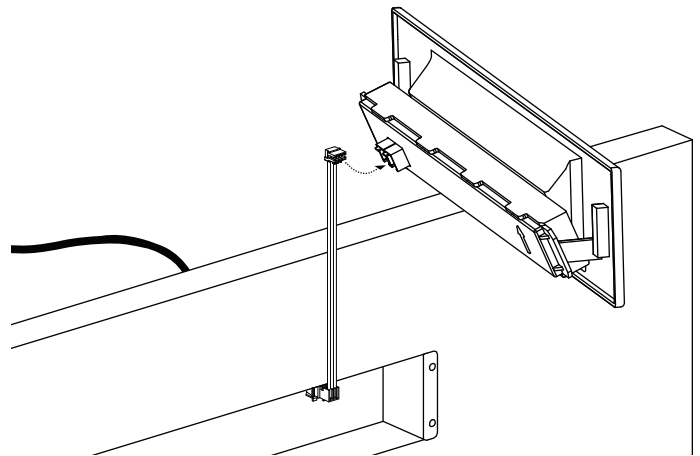


3. Route the 30 ft extension harness through the cutout and connect the harness to the back of the remote control bracket.

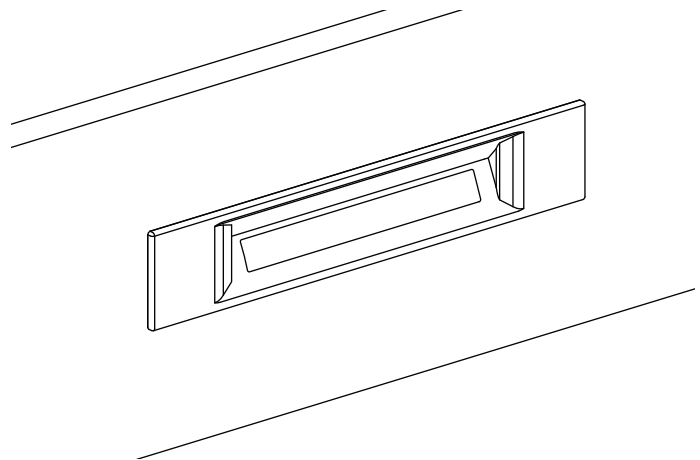
4. Press the bracket inside the cutout. Drill a $\frac{1}{4}$ " (6 mm) tap hole through the bracket holes into the wall. Mount the bracket to the wall using the four (4) screws provided.



5. Hook up the wire harness connector inside the bracket to the terminal on the back side of the remote control. Use either terminal.



6. Snap the remote control into the bracket.

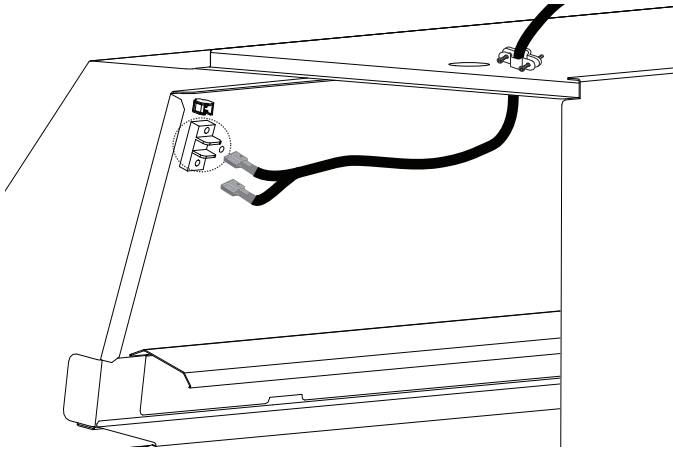


Make-up air damper relay switch (optional)

Local codes may require the use of an additional backdraft and/or make-up air damper. Contact your local HVAC professional for specific requirements.

This hood provides a relay switch to connect a make-up air damper (120V max). Installations will vary according to the location in the home where the unit is installed and the damper used. Use the following illustration as guidance for your installation. Always comply with local code requirements.

1. Access the hood's wiring.
2. Route the make-up air damper harness through the strain relief to the terminal block.
 - The make-up air kit hot and return connections can use either terminal connection. There is no polarity requirement for the two pin terminal block.

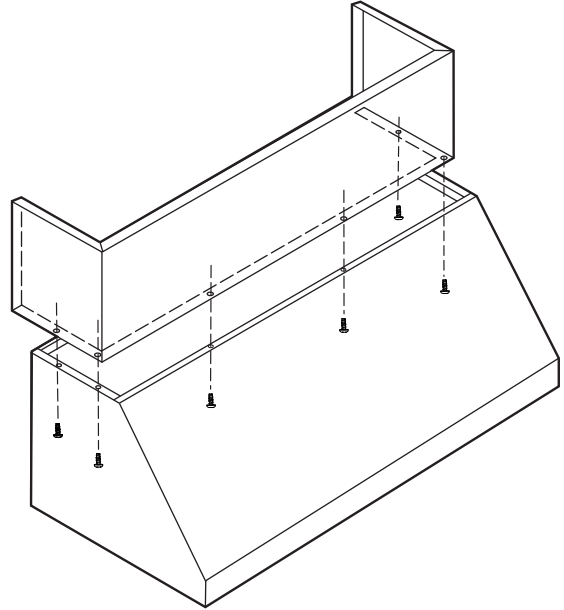


3. Secure the ground wire with the green T-20 ground screw.

Duct cover installation (optional)

On some models, an optional duct cover may be used to fill the space between the hood and ceiling in wall mount installations. Accessory 6" or 20" – 54" telescoping duct covers are available for purchase separately.

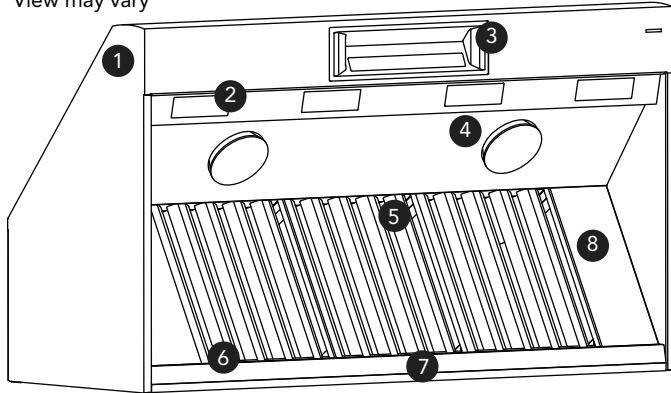
The duct cover structure is supported by the hood.



1. Attach the duct cover(s) to the hood using sheet metal screws as shown above. Screw quantity is dependent on hood size.
2. From inside of hood, insert 5/8" (16 mm) screws supplied through the holes indicated on each side and along the front, into bottom of the cover.

Installing grease trays, filters and spacers

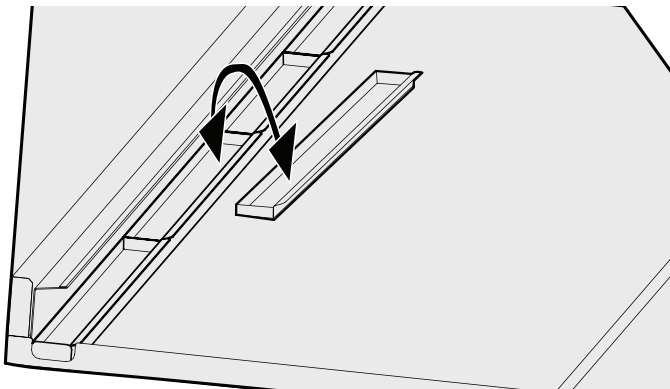
View may vary



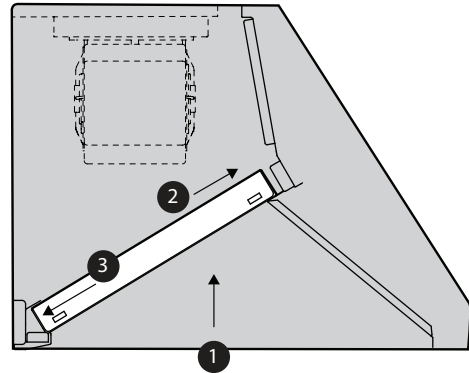
- | | |
|-------------------------|--------------------|
| (1) Hood canopy | (2) LED lights |
| (3) Touch control panel | (4) Heat lamps |
| (5) Baffle filters | (6) Grease trays |
| (7) Grease tray trough | (8) Filter spacers |

NOTE: DO NOT use burners, elements, or oven while hood is disassembled.

1. Turn the fan and lights off.
2. Remove all plastic from hood pieces.
3. Insert in the following order:
 - Grease Tray — Insert in rear tray. Grease trays must be in place before installing the filters. Push the grease tray in and down inside the grease tray trough.



- Filters — start with inserting the filter in the middle and work out to the ends. Slide the filter up, toward the front of the hood, then push down on top of the grease tray.



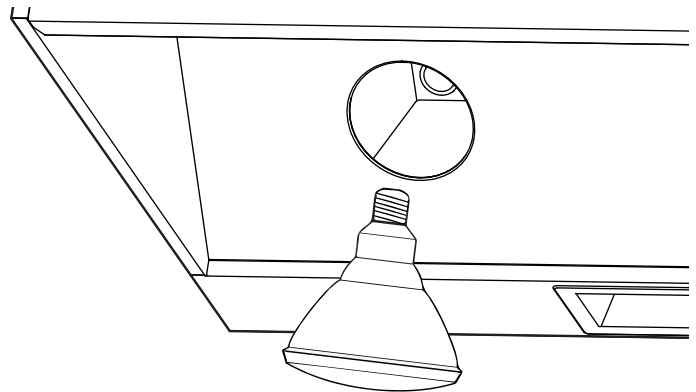
- Filter spacers — If applicable, insert the filter spacers on the left and right ends. Push up, slide toward the front of the hood, then push in at the bottom.
4. Reverse the above directions to remove the grease tray, filters and filter spacer. Ensure filters are cool and grease has congealed before removal.

Heat lamp installation

Note: Only on PHxxGWS models.

- Turn heat lamp clockwise to install.
- Replace lamp with either a PAR-38 175W heat lamp or a PAR-40 250W heat lamp.

Refer to the Use and Care Guide for additional information.



Installer checklist and service

Installer checklist

Final check

- _____ Specified clearances maintained to cabinet surfaces.
- _____ Appliance is level.
- _____ All packaging material removed.
- _____ Proper ground connection.
- _____ Owner is aware of location of the main circuit breaker.
- _____ Write the model number (E-Nr) and serial number found on the product data rating plate in the Use and Care Guide. Leave the Use and Care Guide and the Installation Instructions with the owner of the appliance.
- _____ Leave the Home Connect™ instruction leaflet with the owner of the appliance. In order to utilize the full feature potential of the appliance, the owner should download the Home Connect™ app on their smart device and pair the appliance to the home's Wi-Fi device.

To clean and protect exterior surfaces

- The stainless steel surfaces may be cleaned by wiping with a damp soapy cloth, rinsing with clear water and drying with a soft cloth to avoid water marks. Any mild glass cleaner will remove fingerprints and smears.
- To polish and protect stainless steel, apply a stainless steel conditioner with a soft cloth. The Thermador Stainless Steel Conditioner is available for purchase in the online eShop (<http://store.thermador.com/us/>). Order part number 00576697 (spray bottle) or 17002200 (wipes).
Do NOT use conditioner on non-steel surfaces, logos, control markings, labels, black or smudge-proof stainless steel, and appliance interiors.
- **DO NOT** allow deposits to remain for long periods of time.
- **DO NOT** use ordinary steel wool or steel brushes. Small bits of steel may adhere to the surface causing rust.
- **DO NOT** allow salt solutions, disinfectants, bleaches or cleaning compounds to remain in contact with stainless steel for extended periods. Many of these compounds contain chemicals which could prove harmful. Rinse with water after exposure and wipe dry with a clean cloth.

Before calling service

Troubleshooting

See the Use and Care Guide for troubleshooting information. Refer to the Statement of Limited Product Warranty in the Use and Care Guide. Please be prepared with the information printed on your product data rating label when calling.

To reach a service representative, see the contact information at the back of the manual. Before calling, please note the complete model and serial number printed on your product data rating label.

Product data rating plate

The data rating label shows the model and serial number. It is located under the filter. The data rating plate shows the model (E-Nr) and serial number. Refer to the data label on the appliance when requesting service.

The data rating plate is located on the frame behind the filter. Remove the filter to view it.

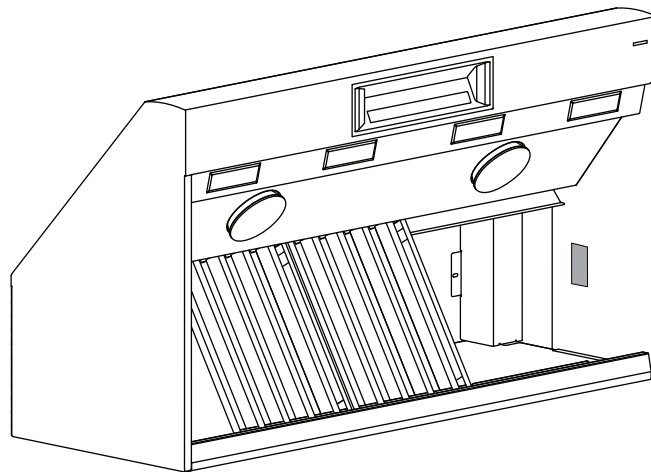


Table des matières

Sécurité	21
Consignes de sécurité importantes	21
Planification préalable	24
Avant de commencer	24
Renseignements généraux	25
Instructions d'installation	26
Facteurs à prendre en compte pour l'installation	26
Exigences électriques	27
Préparation du conduit d'aération	27
Choix d'un ventilateur adéquat	29
Assemblage du raccord	30
Installation murale	31
Installation sous une armoire	33
Installation du moteur du ventilateur	34
Branchement des câbles	35
Câble de connexion du ventilateur EXTNCB25W (optionnel)	36
Installation de la commande à distance	36
Assemblage du recouvrement de conduit	37
Installation des filtres, des plateaux à graisse et des pièces d'espacement	38
Remplacement des lampes infrarouges	39
Service et liste de vérification de l'installateur	40
Liste de vérification à l'intention de l'installateur	40
Avant d'appeler le service à la clientèle	40
Plaque signalétique du produit	40
Service, pièces et accessoires	page verso

Cet appareil électroménager de THERMADOR™

est fait par BSH Home Appliances Ltd

6696 Financial Drive , Uit 3

Mississauga, ON L5N 7J6

Des questions?

1-800-735-4328

www.thermador.ca

Nous attendons de vos nouvelles!

⚠️ CONSIGNES DE SÉCURITÉ IMPORTANTES

LIRE ET CONSERVER CES DIRECTIVES

Ce guide d'utilisation et d'entretien explique les principes de base du fonctionnement de votre appareil et les mesures de sécurité à suivre. Pour des informations d'installation complètes et sûres, reportez-vous aux instructions d'installation fournies avec l'appareil.

Tous les manuels des produits peuvent être téléchargés en ligne à l'adresse www.thermador.com/us/support/owner-manuals ou www.thermador.ca/en/support/owner-manuals.

INSTALLATEUR : Prière de laisser ces instructions d'installation avec cet appareil à l'intention du propriétaire.

PROPRIÉTAIRE : Prière de conserver ces consignes pour pouvoir s'y référer ultérieurement. Lisez toutes les consignes de sécurité avant d'utiliser l'appareil. Demandez à l'installateur de vous montrer où se trouvent le disjoncteur électrique et le robinet d'arrêt de l'alimentation en gaz afin que vous sachiez comment et où couper le gaz et l'électricité de l'appareil.

Définitions des termes de sécurité

⚠️ **AVERTISSEMENT** : ceci indique des risques de blessures graves ou mortelles en cas de non-respect de cette mise en garde.

⚠️ **MISE EN GARDE** : ceci indique des risques de blessures mineures ou de gravité moyenne en cas de non-respect de cette mise en garde.

AVIS : Signale un risque de dommage matériel ou de dommage à l'appareil électroménager si l'avis n'est pas respecté.

Remarque : Cette section vous donne des informations et/ou des conseils importants.

AVERTISSEMENT

Coupez l'alimentation du disjoncteur et verrouillez le panneau avant de procéder au câblage de cet appareil. Exigence : 120 VCA, 60 Hz, 15 A ou 20 A pour certains modèles. Avant de procéder à l'entretien de l'appareil, laissez-lui le temps de refroidir une fois que vous avez coupé l'alimentation électrique.

AVERTISSEMENT



Si vous ne suivez pas rigoureusement les renseignements fournis dans le présent guide, des risques d'incendie ou d'explosion sont susceptibles de causer des dommages matériels, des blessures ou la mort.

- N'entrez pas et n'utilisez pas d'essence ou d'autres produits inflammables sous forme de liquide ou de vapeur à proximité de la table de cuisson ou de tout autre appareil.
- **SI VOUS DÉTECTEZ UNE ODEUR DE GAZ**
 - N'allumez aucun appareil.
 - Ne touchez pas aux interrupteurs électriques.
 - N'utilisez pas les téléphones du bâtiment où vous trouvez.
 - Appelez immédiatement votre société gazière chez un voisin et suivez les instructions qu'elle vous donne.
 - Si vous n'arrivez pas à contacter votre société gazière, appelez le service d'incendie.
- L'installation et les travaux d'entretien doivent être réalisés par un installateur qualifié, un centre de réparation agréé ou une société gazière.

AVERTISSEMENT

Dispositif Automatique

Pour réduire le risque de blessure ébranchez toujours la machine de la source d'alimentation avant tout entretien.

AVERTISSEMENT

Ne réparez et ne remplacez aucune pièce de l'appareil à moins que cela ne soit expressément recommandé dans le présent manuel. L'installation, la réparation ou l'entretien inadéquat de cet appareil peut causer des blessures corporelles ou des dommages matériels. Consultez le présent manuel pour des conseils. Tous les autres travaux d'entretien doivent être effectués par un technicien qualifié.

⚠️ CONSIGNES DE SÉCURITÉ IMPORTANTES

LIRE ET CONSERVER CES DIRECTIVES

AVERTISSEMENT

POUR RÉDUIRE LES RISQUES D'INCENDIE, DE DÉCHARGE ÉLECTRIQUE OU DE BLESSURE, RESPECTEZ LES CONSIGNES SUIVANTES :

- Utilisez cet appareil seulement de la manière prévue par le fabricant. Pour toutes questions, veuillez contacter le fabricant.
- Avant de procéder au nettoyage ou à l'entretien de l'appareil, éteignez l'alimentation du panneau électrique et bloquez le dispositif de déconnexion pour éviter que l'alimentation électrique ne soit accidentellement rallumée. Si le dispositif de sectionnement d'électricité ne peut être bloqué, attachez un avertissement (comme une étiquette) bien en vue sur le tableau électrique. Contactez le fabricant à l'adresse ou au numéro de téléphone indiqué sur la dernière page.

AVERTISSEMENT

RISQUE DE DÉCHARGE ÉLECTRIQUE



- N'enlevez pas de connexion.
- N'utilisez pas une rallonge électrique.
- La mise à la terre inadéquate de l'appareil peut entraîner un risque de décharge électrique.
- Le non-respect des présentes instructions peut entraîner la mort, causer un incendie ou provoquer une décharge électrique.

Instructions de mise à la terre

Cet appareil doit être mis à la terre. La mise à la terre réduit les risques de décharge électrique en fournissant au courant électrique un fil d'échappement lors d'un court-circuit.

Assurez-vous que votre appareil est convenablement installé et mis à la terre par un technicien qualifié. L'installation, le branchement électrique et la mise à la terre doivent être conformes à tous les codes en vigueur.

Si le Code national de l'électricité (ou le code Canadien de l'électricité) l'exige, cet appareil doit être installé sur un circuit de dérivation séparé.

AVERTISSEMENT

Pour réduire les risques d'incendie ou de décharge électrique, n'utilisez pas cet appareil avec un tableau de commande à semi-conducteurs.

Normes et codes de sécurité

Cet appareil est conforme à une ou plusieurs des normes suivantes :

- UL 507 – norme visant la sécurité en matière de ventilateurs électriques
- CAN/CSA-C22.2 No 113 – ventilateurs

Il est de la responsabilité du propriétaire et de l'installateur de déterminer les exigences ou les normes supplémentaires pouvant s'appliquer à des installations particulières.

ATTENTION



L'appareil est lourd. Au moins deux personnes ou de l'équipement adéquat sont requis pour le déplacer et l'installer.

Les surfaces cachées de l'appareil peuvent comporter des saillies coupantes. Faites attention lorsque vous manipulez l'appareil pour éviter de vous blesser ou d'endommager votre propriété.

Avertissement issu de la proposition 65 :

Ce produit pourrait contenir un produit chimique reconnu par l'État de la Californie comme cancérigène ou ayant des effets nocifs sur la reproduction. Par conséquent, vous pourriez devoir apposer l'étiquette suivante sur l'emballage du produit comme requis par la Californie :

Avertissement issu de la proposition 65 de l'État de la Californie :

⚠️ AVERTISSEMENT

Cancérigène et effets nocifs sur la reproduction –
www.P65Warnings.ca.gov.

Ne modifiez jamais la construction de l'appareil. Par exemple, n'enlevez pas de panneaux, couvre-fils ou supports/vis.

⚠️ CONSIGNES DE SÉCURITÉ IMPORTANTES

LIRE ET CONSERVER CES DIRECTIVES

AVERTISSEMENT POUR RÉDUIRE LES RISQUES D'INCENDIE, DE DÉCHARGE ÉLECTRIQUE OU DE BLESSURE, RESPECTEZ LES CONSIGNES SUIVANTES :

- Les travaux d'installation et de câblage électrique doivent être faits par une personne qualifiée selon les stipulations de toutes les normes et réglementations en vigueur, dont les normes des constructions ayant une cote de résistance au feu.
- Pour prévenir les contre-explosions, une certaine quantité d'air est nécessaire pour la combustion et l'évacuation des gaz par le carneau (cheminée) de l'appareil de combustion. Respectez les directives du fabricant d'outillage de chauffage et les normes de sécurité, comme celles publiées par la NFPA (Association nationale des services d'incendie), par la Société américaine des ingénieurs en chauffage, réfrigération et climatisation (ASHRAE) et par les autorités locales.
- N'évacuez pas l'air dans les espaces entre les murs, le plafond, le grenier, les vides sanitaires ou le garage.
- Les ventilateurs canalisés doivent toujours évacuer l'air à l'extérieur.
- Les ventilateurs à conduit doivent toujours être ventilés vers l'extérieur.
- **N'UTILISEZ QUE DES CONDUITS MÉTALLIQUES.**
- Lorsque vous coupez ou percez un mur ou un plafond, assurez-vous de ne pas endommager le câblage électrique ou toute autre installation technique dissimulée.

ATTENTION

Un ventilateur externe doit être installé derrière les déflecteurs ou à un endroit où il est peut probable que de l'eau soit aspiré.

Planification préalable

Avant de commencer

⚠ AVERTISSEMENT

Une mauvaise installation d'appareils à gaz et de hottes de ventilation peut créer un risque de monoxyde de carbone, qui peut être nocif. Pour réduire le risque d'intoxication au monoxyde de carbone, assurez-vous que l'appareil à gaz est correctement installé selon les instructions du fabricant, ainsi que la hotte est ventilée vers l'extérieur pour une évacuation adéquate des gaz ou des fumées.

Les appareils de cuisson au gaz libèrent du monoxyde de carbone qui peut être nocif ou mortel en cas d'inhalation. Pour réduire le risque d'incendie et pour évacuer correctement l'air, les gaz d'échappement extraits par la hotte doivent être évacués à l'extérieur du bâtiment uniquement.

Consultez les codes du bâtiment locaux en ce qui concerne les exigences ou les restrictions liées à l'installation de produits de ventilation en mode de recirculation.

La hauteur d'installation de la hotte au-dessus d'une table de cuisson ou d'une cuisinière peut varier. Pour obtenir la hauteur d'installation nécessaire au-dessus d'une table de cuisson, d'une cuisinière ou d'une table de cuisson, consultez le manuel d'installation de l'appareil ou la matrice de combinaison.

AVIS : La hotte peut être endommagée par une chaleur excessive si une cuisinière ou une table de cuisson fonctionne avec plusieurs brûleurs à des réglages élevés sous une hotte installée à des dégagements minimums et éteinte.

Distance de la surface de cuisson

La hauteur d'installation au-dessus d'une table de cuisson ou d'une cuisinière est recommandée comme une hauteur minimale de 30 po (762 mm); cependant, il est nécessaire de suivre les instructions d'installation du fabricant de l'appareil de cuisson pour une hauteur de hotte appropriée.

Reportez-vous aux codes du bâtiment locaux pour connaître les dernières exigences ou restrictions lors de l'installation de produits de ventilation en mode de recirculation.

Pièces fournies

- Raccord métallique avec registre antirefoulement
- Filtres déflecteurs
- Plateaux à graisse

- Pièces d'espacement à filtre
- Ampoules halogènes (sur certains modèles seulement)
- Adaptateur de ventilateur à distance
- Morceau de bois servant de support de montage pour la hotte Pour l'installation – NE PAS JETER.
- Pochette de documents avec trousse d'éléments de fixation*

* La quincaillerie fournie sert à fixer la hotte à travers une cloison sèche ou du plâtre et des montants de bois d'épaisseur standard. Les installateurs sont responsables de fournir la quincaillerie pour les autres types d'installation.

Pièces et outils requis

- Ventilateur (Veuillez consulter le « Guide de Planification » d'apport d'air supplémentaire pour connaître les systèmes compatibles de soufflerie.)
- Conduit, selon les besoins (voir « Longueur totale équivalente du conduit avec les raccords les plus fréquemment utilisés »)
- Ruban d'aluminium (n'utilisez PAS du ruban à conduit)
- Tube de 1/2 po (13 mm), s'il y a lieu; respectez les codes locaux
- Serre-câbles de 1 po (25,4 mm)
- Tournevis à tête étoilée et Torx T20
- Perceuse avec embout de 3/16 po (4.76 mm)
- Monte-démonte écrou ou clé à rochet et douille de 11/32 po
- Scie circulaire ou sauteuse et ruban à mesurer
- Gants de protection

IMPORTANT : Ne jetez pas le matériel d'emballage avant d'avoir terminé l'installation de l'appareil.

Il est possible d'acheter d'autres accessoires facultatifs séparément

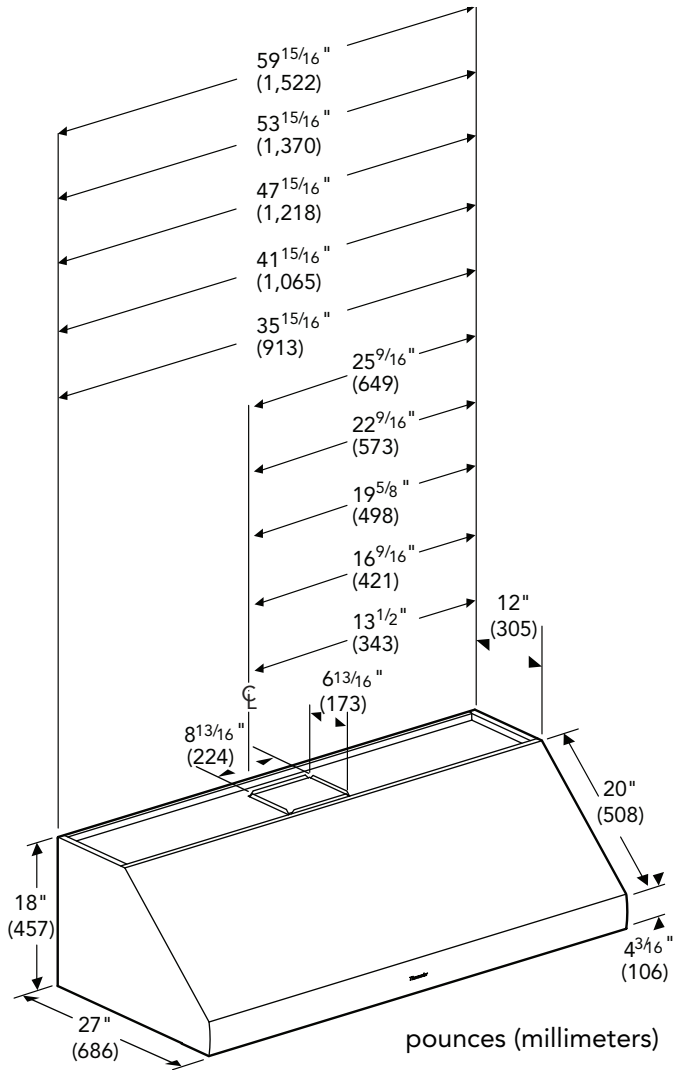
Pour de plus amples renseignements, veuillez consulter le site www.thermador.com.

Accessoires	Description
EXTNCB25W	Câble de raccordement de 25 pi
EXTNSET4	Trousse d'adaptateur de câble d'extension de soufflerie à distance et en ligne de 25 po
RFPLT600P	Plaque de plafond à utiliser avec le moteur séparé VTR1FZ
RFPLT1000P	Plaque de plafond à utiliser avec le moteur séparé VTR2FZ
REMCPW	Commande à distance

Renseignements généraux

Dimensions générales

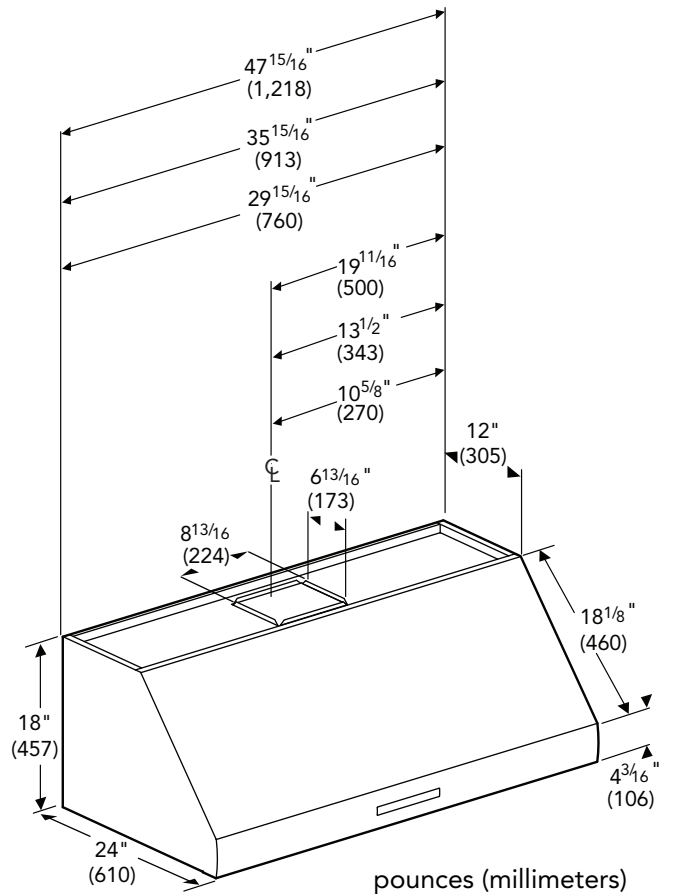
PHxxGWS – 27 po (686 mm) de profondeur. Les modèles de cette série se caractérisent par leur pavillon en acier inoxydable brossé, des lampes LED et des lampes infrarouges.



NOTE : Le raccord est centré.

IMPORTANT : Pour un rendement optimal, la hotte doit être centrée au-dessus de la surface de cuisson.

PHxxHWS – 24 po (610 mm) de profondeur. Les modèles de cette série se caractérisent par leur pavillon en acier inoxydable brossé et des lampes LED.



NOTE : Le raccord est centré.

IMPORTANT : Pour un rendement optimal, la hotte doit être centrée au-dessus de la surface de cuisson.

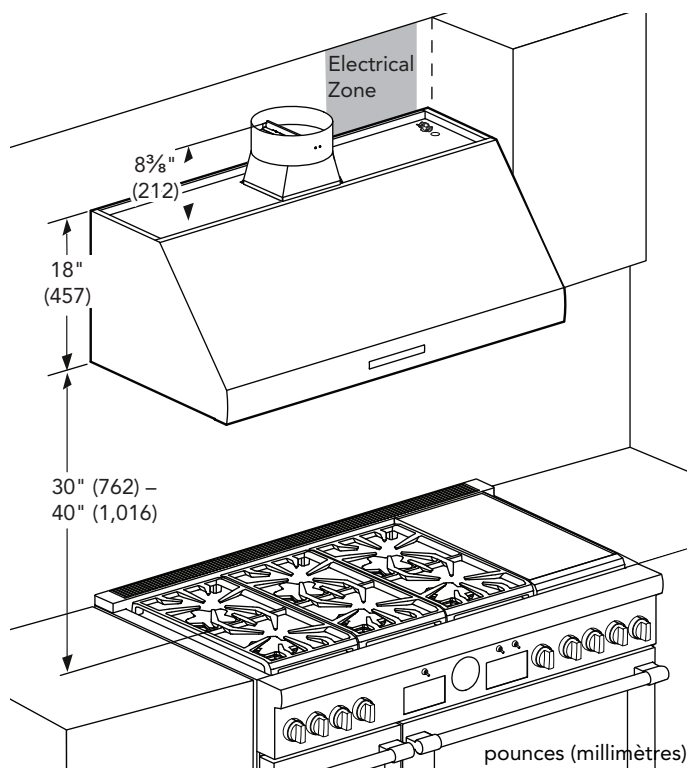
Instructions d'installation

Facteurs à prendre en compte pour l'installation

Dégagements et exigences

Le conduit de la hotte doit évacuer l'air à l'extérieur de la maison. L'appareil ne peut être utilisé avec un ensemble de reprise d'air.

La hauteur d'installation de la hotte au-dessus d'une surface de cuisson ou d'une cuisinière peut varier. Pour respecter la hauteur d'installation nécessaire au-dessus d'une surface de cuisson ou d'une cuisinière, consultez le manuel d'installation de l'appareil.



*Suivez les recommandations du fabricant de l'appareil de cuisson.

Largeur de la hotte

- La largeur de la hotte ne doit pas être moindre que celle de la surface de cuisson. Pour un bon rendement, le boîtier doit couvrir l'ensemble de la surface de cuisson.
- La hotte doit être centrée horizontalement au-dessus de la surface de cuisson pour offrir un bon rendement. Une hotte plus large peut être utilisée s'il n'y a pas de contraintes d'espace pour accroître l'aire d'aspiration.

Distance de la surface de cuisson

- La hauteur de l'installation de la hotte au-dessus d'une table de cuisson ou d'une cuisinière peut varier.
- La hauteur d'installation varie d'une hauteur minimale de 30" (762 mm) à une hauteur maximale suggérée de 40" (1 016 mm). En revanche, reportez-vous aux instructions d'installation du fabricant de la hotte et du ventilateur.

REMARQUE : La hotte peut être endommagée par la chaleur si une cuisinière ou une table de cuisson Thermador Professional® est utilisée avec plusieurs brûleurs à des réglages élevés sous une hotte installée avec un minimum d'espace libre lorsque la hotte est éteinte.

Poids de l'appareil

- Cette hotte d'évacuation d'air est lourde. Peu importe le type d'installation, il faut avoir une structure et des nervures de renforcement adéquats.
- Assurez-vous de tenir compte du poids de l'unité de ventilation lors du calcul de la charge du système de support du boîtier.

Modèle	Poids
PH30HWS	62 lb (28 kg)
PH36HWS	70 lb (32 kg)
PH48HWS	85 lb (39 kg)
PH36GWS	75 lb (34 kg)
PH42GWS	84 lb (38 kg)
PH48GWS	90 lb (41 kg)
PH54GWS	96 lb (44 kg)
PH60GWS	103 lb (47 kg)
Intégré ventilateur VTN1DZ	8 lb (3.6 kg)
Intégré ventilateur VTN2FZ	19 lb (8.6 kg)

IMPORTANT: Les poids mentionnés ne s'appliquent qu'à l'appareil de ventilation et au ventilateur. L'installateur doit tenir compte du poids du matériel de construction lors du calcul du poids total de l'installation, y compris, sans s'y limiter, les éléments suivants : mur, tuiles, mortier, plâtre, briques, finition, cloisons et autres éléments architecturaux et structuraux. Il est de la responsabilité du propriétaire et de l'installateur de déterminer les exigences ou les normes supplémentaires pouvant s'appliquer à des installations particulières.

Structure de la nervure de renforcement

- En raison de la hauteur de la hotte, veuillez vous assurer que le support de fixation de bois est fixé à tous les montants de cloison disponibles.
- La charpente du mur doit être fabriquée avec des montants de 2 x 4 po minimum. Une nervure de renforcement adéquate est nécessaire pour prendre charge le poids de la hotte.

Ventilation

- La hotte doit être ventilée à l'extérieur du bâtiment.

Exigences électriques

⚠ AVERTISSEMENT

Cet appareil doit être mis à la terre.

- Cet appareil doit être branché à un circuit de dérivation de 120 VCA, 60 Hz, 15 A. La soufflante VTN2FZ en conjonction avec un PHxxGWS nécessite un disjoncteur de 20 ampères.
- La hotte doit être branchée à une prise de courant mise à la terre et installée en conformité avec les réglementations en vigueur.
- Lorsqu'elles sont protégées par un disjoncteur de fuite à la terre, les hottes Professional de Thermador peuvent être utilisées dans des endroits humides à l'abri des conditions météorologiques extérieures et de saturations par de l'eau et d'autres liquides, quoiqu'elles puissent être soumises à un certain degré d'humidité (par exemple, lors d'une installation sur une terrasse couverte ou une véranda). Consultez les codes locaux, le Code national de l'électricité/Code Canadien de l'électricité, et l'autorité compétente pour obtenir de plus amples renseignements.
- Consultez le code de la construction de votre localité pour connaître la méthode d'installation adéquate. Aux É.-U., si aucun code local n'est en vigueur, cet appareil doit être installé conformément à la plus récente édition de la norme no 70 du Code national de l'électricité/NFPA (Association nationale des services d'incendie). Au Canada, l'installation doit respecter les normes d'installation CSA C22.1-02 pour les appareils au gaz ou les codes locaux en vigueur.
- Vous pouvez vous procurer un câble de connexion pour ventilateur à distance (EXTNCB25W) de 25 pieds si vous souhaitez brancher la hotte au ventilateur à plus de 25 pieds de distance (acheté séparément). N'utilisez PAS plus d'un câble de connexion par installation.

Données électriques apparaissant sur la plaque signalétique


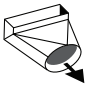
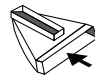



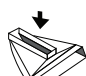
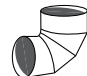
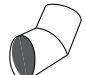

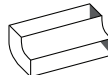

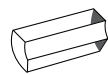
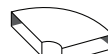
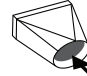
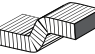
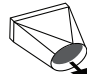

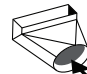
- Les données électriques relatives à l'appareil, y compris le numéro de modèle et le numéro de série, se trouvent sur la plaque signalétique située à l'intérieur de l'appareil, visible lors du retrait du cadre des filtres.

Préparation du conduit d'aération

- L'air est évacué vers le haut, par le biais d'un conduit, ou directement à l'extérieur à travers le mur arrière.
- Un rendement adéquat dépend d'un conduit d'aération adéquat. Le code du bâtiment local peut exiger l'utilisation d'un système d'air d'appoint lors de l'utilisation d'un système de ventilation avec des conduits dont le nombre de pi³/min d'air est supérieur à ce qui est indiqué. Il est de la responsabilité du propriétaire et de l'installateur de déterminer les exigences ou les normes supplémentaires pouvant s'appliquer à des installations particulières.
- **N'UTILISEZ PAS DE CONDUITS SOUPLES.** Ces conduits créent de la pression d'aspiration et de la turbulence en plus d'offrir un rendement moins efficace. Posez toujours un couvercle métallique à la sortie du conduit de la maison.
- **TEMPÉRATURES FROIDES :** Pour une installation où les conditions météorologiques sont froides, un registre antirefoulement supplémentaire doit être installé pour minimiser l'entrée d'air froid de l'extérieur, avec un isolant thermique non métallique pour minimiser la conduction de la température extérieure dans le conduit. Le registre doit se trouver du côté de l'air froid de l'isolant thermique. L'isolant doit être installé le plus près possible de l'endroit où le conduit entre dans la partie chauffée de la maison.
- **AIR D'APPOINT :** Le code du bâtiment local peut exiger l'utilisation d'un système d'air d'appoint lors de l'utilisation d'un système de ventilation dont le nombre de pi³/min d'air est supérieur à ce qui est indiqué. Le nombre de pi³/min indiqué varie d'un code à l'autre. Il est de la responsabilité du propriétaire et de l'installateur de déterminer les exigences ou les normes supplémentaires pouvant s'appliquer à des installations particulières.
- Le conduit doit directement évacuer l'air à l'extérieur (et non dans le grenier, sous la maison, dans le garage ou dans un espace clos).
- Thermador recommande de ne pas installer un conduit de plus de 50 pi (15,24 m).

- Installez le conduit le plus court et le plus droit possible. Les coudes et les raccords réduisent l'efficacité de la circulation de l'air. L'utilisation de deux coudes formant un S donne de piètres résultats et elle n'est pas recommandée.
- L'utilisation d'un conduit court et droit à l'endroit où se trouve un ventilateur à distance donne de meilleurs résultats.
- Les hottes sont vendues avec un raccord circulaire de 10 po (254 mm). Vous devez vous procurer les raccords d'autres dimensions chez un détaillant.
- Utilisez le tableau « Longueur totale équivalente du conduit avec les raccords les plus fréquemment utilisés » pour calculer la longueur totale admissible du conduit.

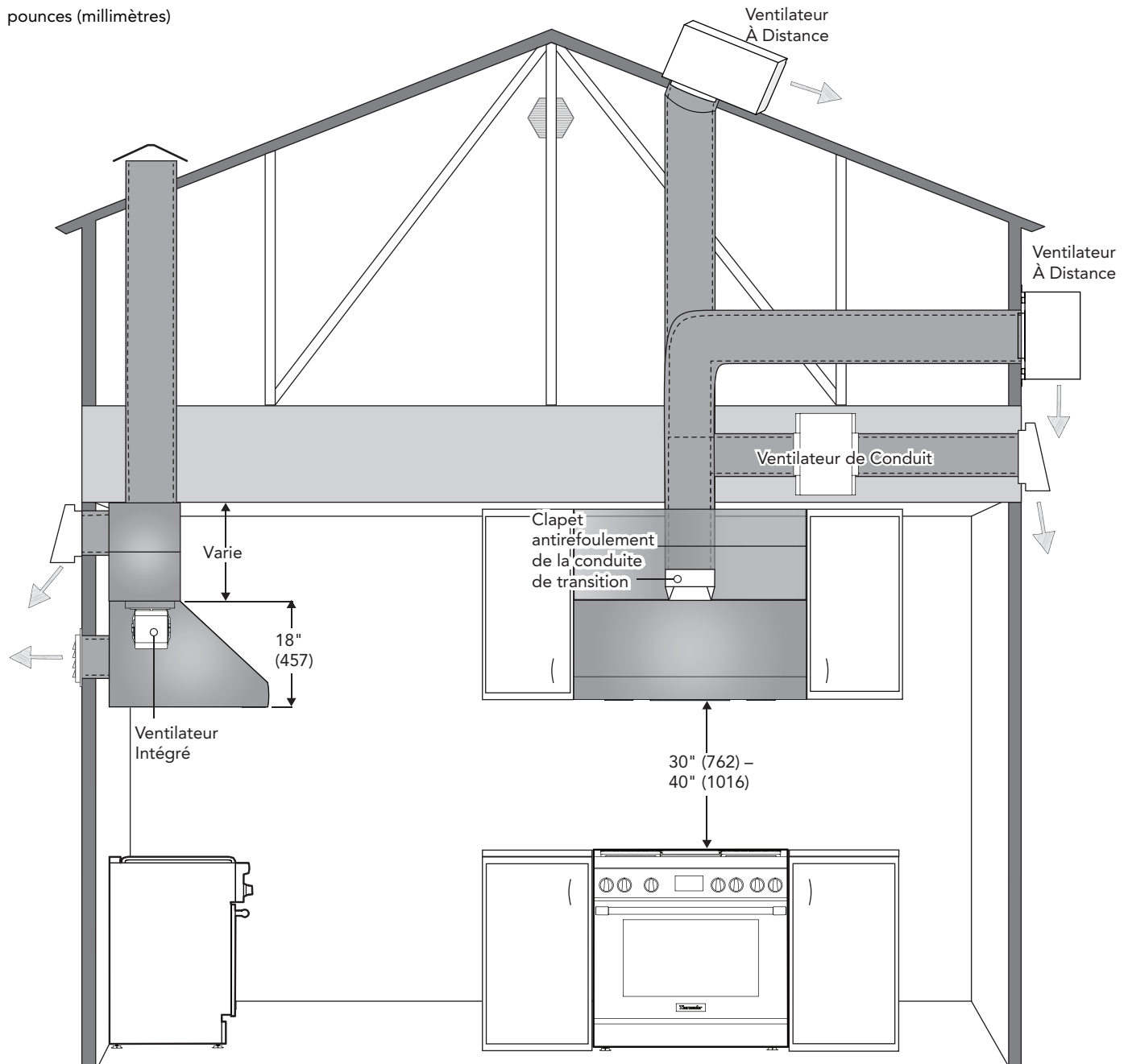
Longueur totale équivalente du conduit avec les raccords les plus fréquemment utilisés

Type de conduit	Diamètre de la pièce (po)	Longueur équivalente (pi)	Type de conduit	Diamètre de la pièce (po)	Longueur équivalente (pi)				
 Circulaire droit	6	1.2	 3/4 po x 10 po à coude circulaire à 90°	6	10				
	8	0.7							
	10	0.6	 Coude inversé gauche à centre de 3/4 po x 10 po	S/O	15				
 3/4 po x 10 po droit	S/O	1				 Coude inversé droit à centre de 3/4 po x 10 po	S/O	25	
	 3/4 po x 14 po droit	S/O	0.7	 Coude inversé à gauche de 3/4 po x 10 po	S/O				15
		 Coude circulaire à 90°	6						
8			6						
10	5								
 Coude circulaire à 45°	6	5	 Bouche d'aération circulaire murale	6	2				
	8	3		8	2				
	10	2		10	2				
 Coude de 3/4 po x 10 po à 90°	S/O	5	 Bouche d'aération circulaire de toit	6	2				
	 Coude de 3/4 po x 10 po à 45°	S/O		15	8	2			
		 Coude plat de 3/4 po x 10 po		S/O	20	10	2		
 Circulaire à 3/4 po x 10 po			6	1	 Conduit souple de 3/4 po x 10 po de 2 pieds de long	S/O	20		
	8		10						
 3/4 po x 10 po à circulaire	6	5	 Support de fixation et obturateur de toit de 3/4 po x 10 po	S/O	2				
	8	2							
 Circulaire à coude de 3/4 po x 10 po à 90°	6	10							

NOTE : Ces pièces fréquemment utilisées sont en vente à votre quincaillerie. Thermador ne fabrique pas toutes ces pièces.

Configurations de conduits courants

pouces (millimètres)



REMARQUE : L'image ne présente pas toutes les dispositions ou méthodes d'installation. Elle est à titre indicatif SEULEMENT.

Choix d'un ventilateur adéquat

Ventilateur moteur

N'utilisez que des ventilateurs Thermador avec les hottes Thermador. Consultez le « Guide de Planification de Ventilation » pour connaître les ventilateurs recommandés. Communiquez avec le service à la clientèle pour connaître les autres options qui s'offrent à vous.

Des ventilateurs internes, en ligne et télécommandés sont disponibles par l'entremise de votre détaillant Thermador autorisé. Pour les coordonnées d'un détaillant local, visitez la section sur la localisation des détaillants sur notre site web à www.thermador.com.

Le choix d'un ventilateur dépend du volume d'air qui doit être évacué ainsi que de la longueur et de l'emplacement du conduit. Pour les longs conduits qui comportent de nombreux coudes et changements de direction, envisagez d'utiliser un ventilateur plus puissant. Pour une évacuation d'air optimale, utilisez un conduit droit avec le moins de coudes possible (consultez la section « Préparation du conduit d'aération »).

Options de la soufflerie

Description	SKU
Moteur séparé (monté sur le toit ou sur un mur extérieur)	VTR1FZ
	VTR2FZ
Soufflerie en ligne (monté entre la cuisine et le mur extérieur)	VTI1FZ
	VTI2FZ
Soufflerie intégré (monté à l'intérieur du capot)	VTN1DZ (seulement PH30HWS)
	VTN2FZ

25 pi Câble de connexion du ventilateur (optionnel)

Vous pouvez vous procurer un câble de connexion pour ventilateur à distance (EXTNCB25W) de 25 pieds si vous souhaitez brancher la hotte au ventilateur à plus de 25 pieds de distance (acheté séparément). N'utilisez PAS plus d'un câble de connexion par installation.

Assemblage du raccord

Orientation du débouché

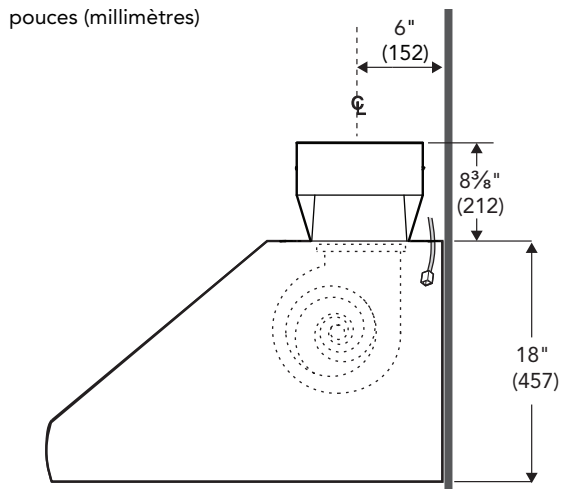
L'air vicié est évacué vers le haut par un conduit d'aération ou directement à l'air libre en traversant le mur extérieur.

La hotte peut être suspendue à un mur ou à une armoire. Les deux méthodes de montage peuvent utiliser un débouché vertical ou horizontal.

Débouché Vertical la Transition

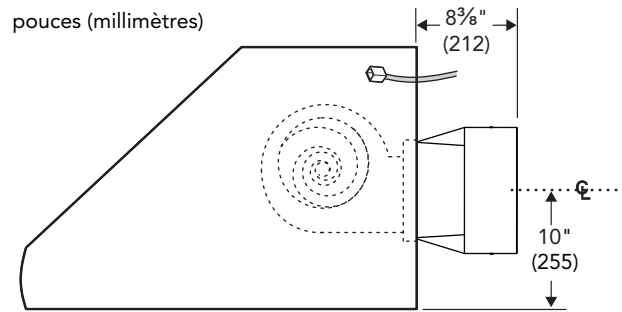
Lorsque la hotte est expédiée, elle est configurée pour un débouché vertical.

La transition fournie avec la hotte se branche à un conduit rond standard de 10 po (2,5 cm). La figure montre le branchement de la transition pour une évacuation verticale.

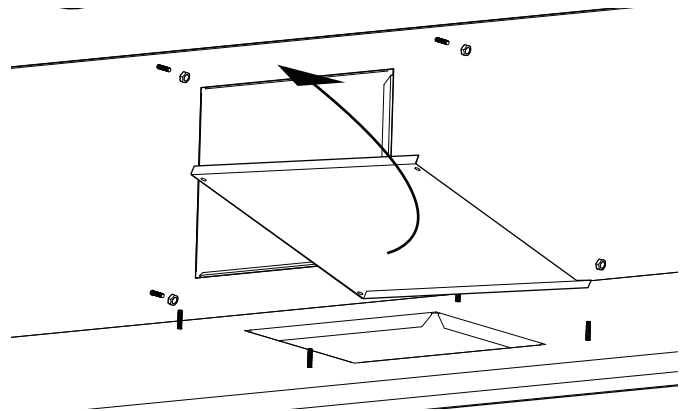


Débouché Horizontal la Transition

La transition fournie avec la hotte se branche à un conduit rond standard de 10 po (2,5 cm). La figure montre le branchement de la transition pour une évacuation horizontale.



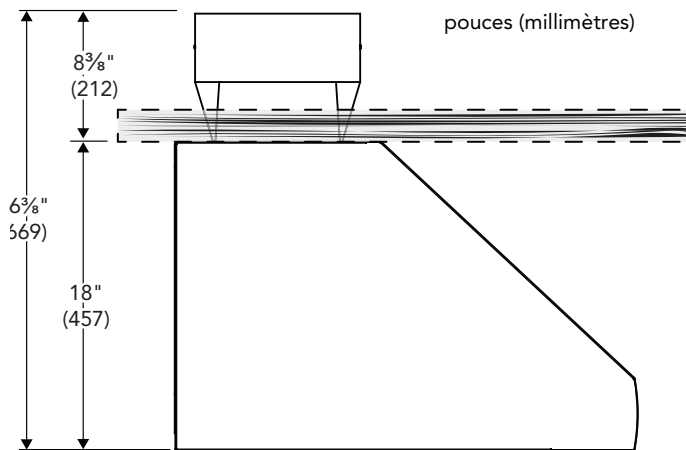
1. Pour modifier l'évacuation horizontale, placez le couvercle d'évacuation, illustré à la figure, sur le dessus de la hotte. La plaque est maintenue en place par quatre (4) écrous hexagonaux de 3/8 po (9,5 mm).



Assemblage du raccord

Les hottes sont livrées avec une conduite de transition ronde de 10 po (254 mm) de diamètre. Pour d'autres diamètres, une conduite de transition fournie dans la région est requise.

Le raccord fourni s'installe sur le dessus ou à l'arrière de la hotte selon l'orientation du débouché.

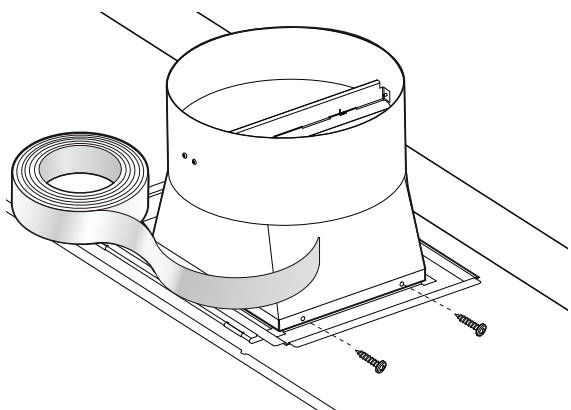


Une hauteur libre minimale de 8-3/8 po (212 mm) est requise au-dessus de la hotte pour l'installation du raccord. Consultez la « Avant de commencer » pour connaître les dimensions générales de la hotte.

- Alignez les trous de montage du raccord avec les trous de montage de la bride de 1/2 po (13 mm) situé sur le dessus ou à l'arrière de la hotte selon l'orientation du débouché.
- Fixez le raccord à la hotte à l'aide des quatre vis à tôle de 1/4 po (6 mm) fournies avec la hotte.

NOTE : Les vis ne doivent pas entraver le fonctionnement du registre.

- Scellez le joint entre le raccord et la hotte avec du ruban en aluminium. N'utilisez PAS de ruban à conduit. Assurez-vous que la connexion est complètement scellée.



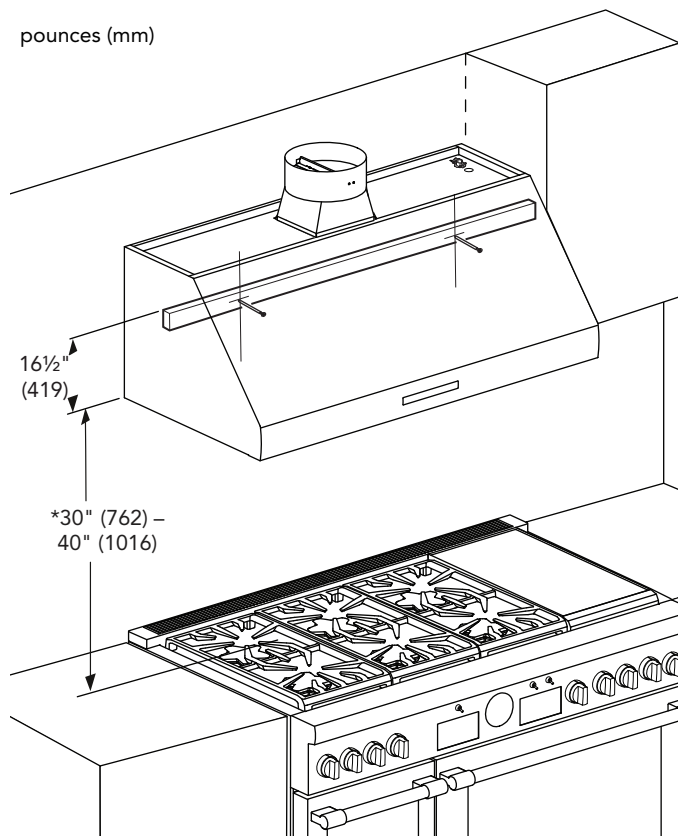
- Enlevez le morceau de ruban qui tient le registre en position fermée.

Installation murale

⚠ ATTENTION

Avant de procéder à l'installation de l'appareil, éteignez l'alimentation du panneau électrique et bloquez le dispositif de déconnexion pour éviter que l'alimentation électrique ne soit accidentellement rallumée.

Support de montage de la hotte

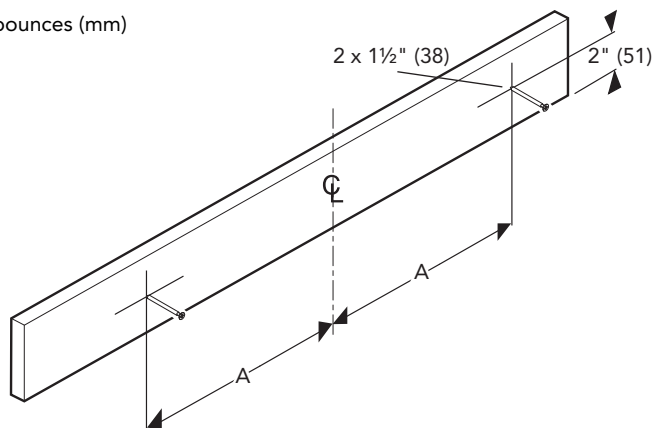


*Suivez les recommandations du fabricant de l'appareil de cuisson.

- La hauteur minimale d'installation est de 30 po (762 mm) au-dessus de la surface de cuisson. Toutefois, il est impératif de respecter les instructions d'installation du fabricant de l'appareil de cuisson en ce qui concerne la hauteur adéquate d'installation de la hotte ("Dégagements et exigences" à la page 26 .)
- Une fois que vous avez déterminé la hauteur d'installation de la hotte, tirez un trait horizontal au-dessus de la table de cuisson, à une distance équivalant à 16 1/2 po (419 mm) au-dessus de la hauteur d'installation recommandée de la hotte. Cette ligne correspond à l'emplacement de montage du support en bois fourni avec l'appareil.
- Trouvez la ligne centrale de la hotte. Tirez un trait vertical le long de cette ligne centrale jusqu'à la ligne horizontale de l'Étape 2

- La hotte s'installe au mur à l'aide du support en bois fourni avec l'appareil. Enlevez le support en bois situé sur le dessus de la hotte en retirant les deux vis d'expédition. Marquez la ligne centrale du support en bois.
- Localisez un montant de chaque côté de la ligne centrale de la hotte, que vous utiliserez pour fixer le support en bois au mur.
- Alignez la partie supérieure du support en bois avec la ligne horizontale tracée à l'Étape 2. Alignez les lignes centrales du support et de la table de cuisson.
- Percez un trou de guidage de 3/16 po (3 mm) de 3 po (76 mm) de profondeur à travers le support en bois, le mur et le montant.
- Utilisez deux ou trois vis de 3 po (76 mm), selon le modèle, pour fixer le support au mur. Pour soutenir de plus longues hottes, utilisez trois montants. Fraisez le support en bois pour éviter toute interférence entre les têtes des vis et la hotte.
- Sur le support en bois, marquez les emplacements utilisés pour suspendre la hotte.

pouces (mm)



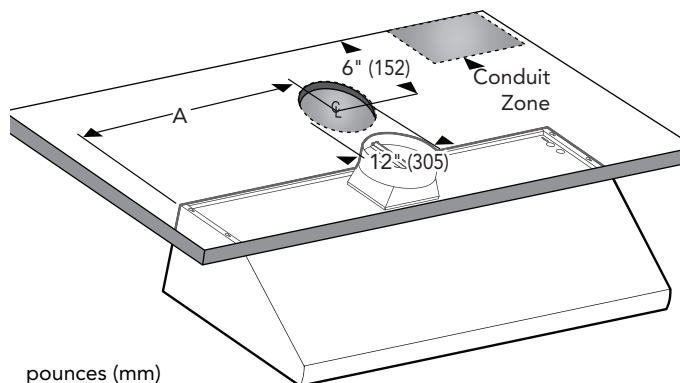
Dimension de la hotte	A
30" (762 mm)	13" (330 mm)
36" (914 mm)	16" (406 mm)
42" (1,067 mm)	19" (483 mm)
48" (1,219 mm)	22" (559 mm)
54" (1,372 mm)	25" (635 mm)
60" (1,524 mm)	28" (711 mm)

- Percez un trou de guidage de 3/16 po (4,8 mm) dans le support en bois et le mur. Ces vis de 5/8 po (16 mm) n'ont pas à entrer dans les montants.
- Utilisez deux vis de 5/8 po (16 mm) pour fixer le support en bois en laissant dépasser 1/4 po (6 mm) de chaque vis pour suspendre la hotte.

Direction d'évacuation

Débouché vertical

Une ouverture doit être pratiquée dans le plafond pour les installations qui ont recours à cette méthode afin d'accueillir un conduit de 10 po (254 mm) et un tube protecteur de 1/2 po (13 mm) dans lequel passent les fils qui alimentent l'appareil.



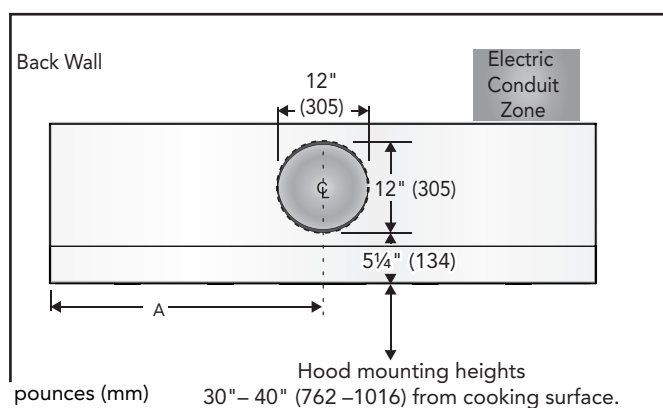
pouces (mm)

Dimension de la hotte	A
30" (762 mm)	15" (381 mm)
36" (914 mm)	18" (457 mm)
42" (1,067 mm)	21" (533 mm)
48" (1,219 mm)	24" (610 mm)
54" (1,372 mm)	27" (686 mm)
60" (1,524 mm)	30" (762 mm)

Pour les installations murales, un recouvrement de conduit optionnel peut être utilisé pour remplir l'espace entre la hotte et le plafond.

Débouché horizontal

Pour un débouché horizontal, une ouverture semblable à celle illustrée sur la Figure doit être pratiquée dans le mur pour laisser de l'espace au raccord. La hauteur de montage de la hotte détermine l'emplacement de l'ouverture.



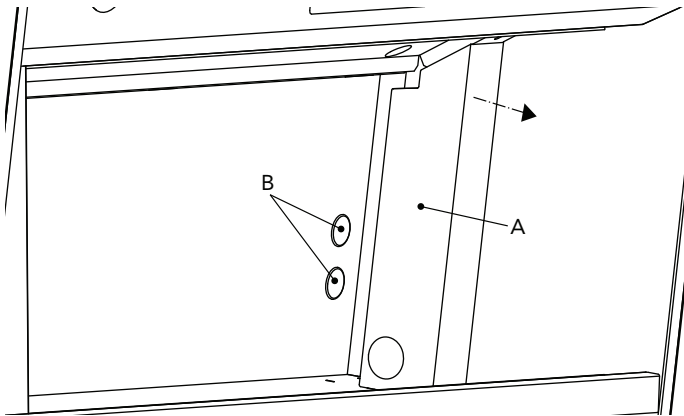
pouces (mm)

Hood mounting heights
30" – 40" (762 – 1016) from cooking surface.

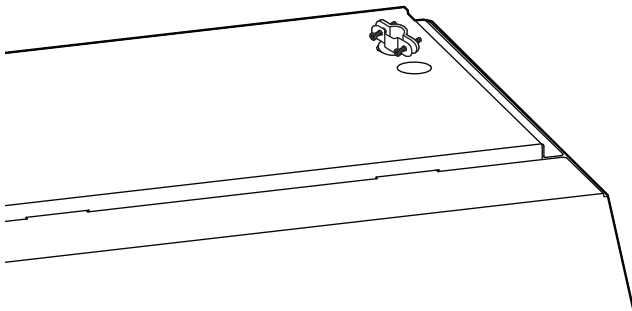
Dimension de la hotte	A
30" (762 mm)	15" (381 mm)
36" (914 mm)	18" (457 mm)
42" (1,067 mm)	21" (533 mm)
48" (1,219 mm)	24" (610 mm)
54" (1,372 mm)	27" (686 mm)
60" (1,524 mm)	30" (762 mm)

Préparation pour l'acheminement du câble

12. Enlevez la plaque de la boîte de connexion qui couvre les fils (Figure, "A").
13. Installez un serre-câble (non inclus) dans l'une des entrées défonçables circulaires (Figure, "B").



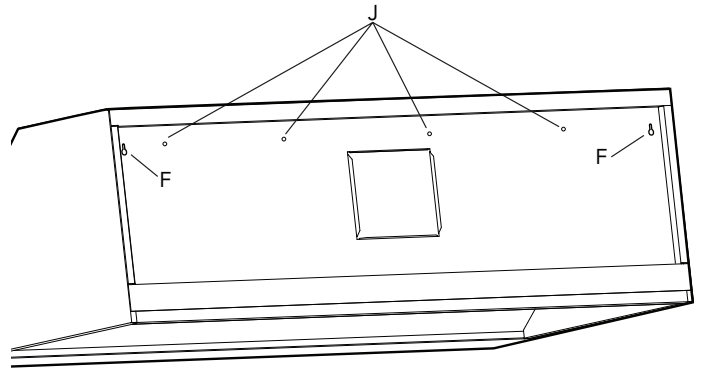
14. Installez un serre-câble (non inclus) dans l'une des entrées défonçables circulaires.



Fixation de la hotte à l'équerre de fixation en bois

15. Avant de suspendre la hotte, installez le raccord, comme sur la "Assemblage du raccord" à la page 30. Fixez le raccord avec deux vis à tôle de 3/8 po (fournies) et du ruban en aluminium, conformément aux codes en vigueur.
16. Avec une autre personne, soulevez la hotte et faites-la reposer sur les vis insérées dans le support en bois. Utilisez les encoches en trou de serrure identifiées par la lettre « F » sur la figure. Assurez-vous que le support

en bois rentre bien dans la partie enfoncée à l'arrière de la hotte.



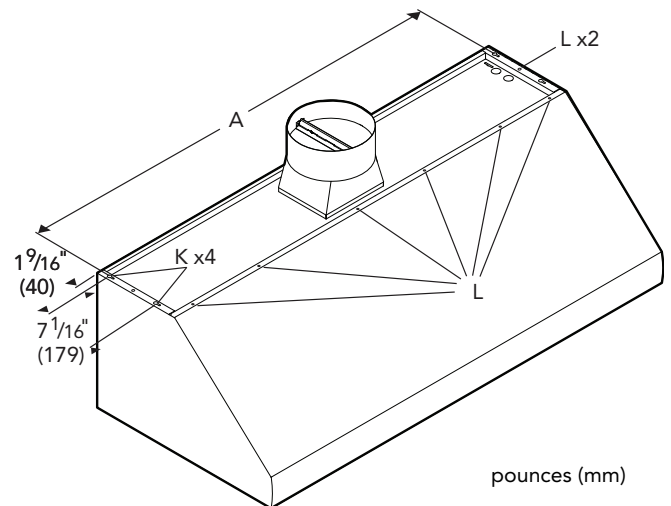
17. Serrez les vis dans les encoches en trou de serrure. Assurez-vous que la hotte est de niveau et ajustez-la au besoin.
18. À partir de l'intérieur de la hotte, fixez des vis de 5/8 po (16 mm) dans le support en bois, à travers les trous identifiés par la lettre « J ».
19. Installez les pièces de conduit supplémentaires.

Installation sous une armoire

Vous pouvez installer la hotte sous une armoire, laquelle sera soutenue par la partie supérieure.

Note : L'armoire doit être structurellement fixée aux montants du mur pour soutenir le poids de la hotte.

La figure montre les quatre trous de vis identifiés par la lettre « K » qui sont utilisés pour fixer la hotte à la base de l'armoire. Assurez-vous d'avoir enlevé les deux entrées défonçables.



Dimension de la hotte	A
30" (762 mm)	29" (737 mm)
36" (914 mm)	35" (889 mm)
42" (1,067 mm)	41" (1,041 mm)

48" (1,219 mm)	47" (1,194 mm)
54" (1,372 mm)	53" (1,346 mm)
60" (1,524 mm)	59" (1,499 mm)

1. À la base de l'armoire, percez des trous de guidage de 1/8 po (3 mm) comme indiqué à la dimension "A" de la Figure.
2. Insérez-y quatre vis de 1 po (25,4 mm), fournies avec la hotte, en laissant dépasser 1/4 po (6 mm) pour y accrocher la hotte.
3. Si la hotte est installée avec un débouché vertical, consultez la « Débouché Vertical la Transition » pour créer l'ouverture nécessaire pour le raccord et le tube protecteur.
4. Pour un débouché horizontal, utilisez la « Débouché Horizontal la Transition » pour connaître la forme de l'ouverture requise pour faire passer le raccord.
5. Accrochez la hotte aux vis et fixez-la solidement en place.
6. À partir de l'intérieur de la hotte, insérez les vis fournies de 5/8 po (16 mm) à travers les trous, une (1) de chaque côté et quatre (4) le long de la partie avant, dans la base de l'armoire. Voir les trous de vis identifiés par la lettre « L ».

Installation du ventilateur

⚠ ATTENTION

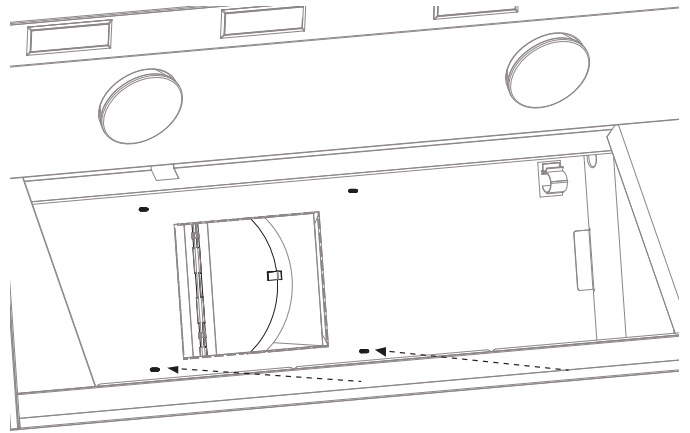
Pour réduire les risques d'incendie ou de décharge électrique, installez cette hotte uniquement avec les ventilateurs mentionnés dans le Guide de Planification de Ventilation.

NOTE : La garantie ou la possibilité de retour ou d'échange du produit s'annule si la prise du ventilateur est coupée.

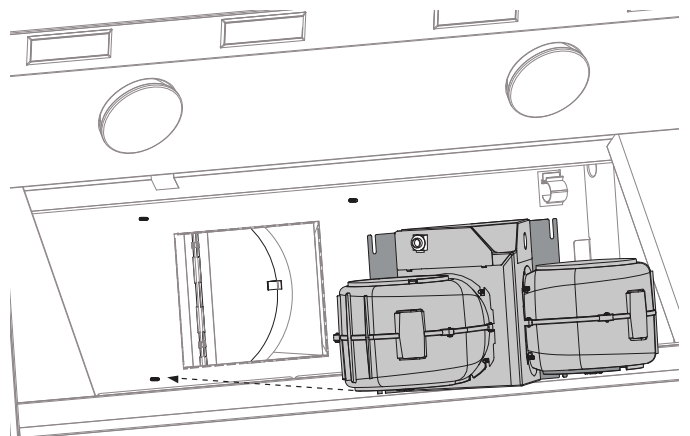
Installation d'un ventilateur intégré

Ces ventilateurs sont intégrés à la hotte au moment de l'installation. Le modèle de ventilateur intégré doit être installé une fois que la hotte est fixée au mur. Pour accéder aux instructions de montage complètes, consultez les directives fournies avec le module du souffleur.

1. Enfilez un écrou (x1) à mi-chemin sur chacun des deux goujons soudés indiqués.



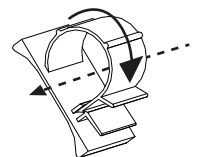
2. Faites glisser la plaque de montage du ventilateur derrière les écrous sur les deux goujons soudés.



3. Installez deux (x2) écrous (fournis avec la hotte) sur les goujons soudés supérieurs et serrez.
4. Serrez les deux écrous (x2) de l'étape 1 pour fixer complètement le ventilateur à la hotte.
5. Branchez le connecteur enfichable du ventilateur sur le connecteur présent à l'intérieur de la hotte.



6. Acheminez le faisceau du souffle au travers de la clip autoverrouillante.

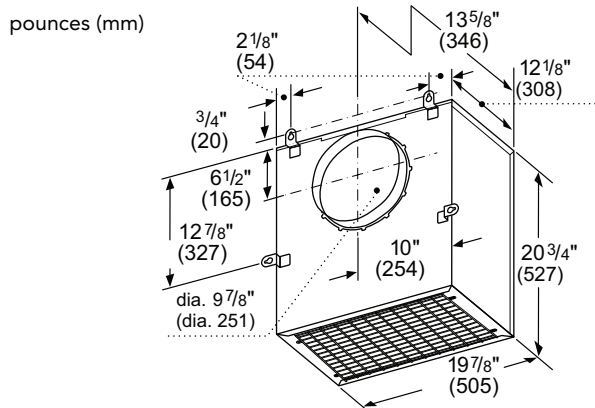


Câblage de la hotte avec un ventilateur à distance ou un ventilateur de conduit

Pour accéder aux instructions de montage complètes, consultez les directives fournies avec le module du souffleur.

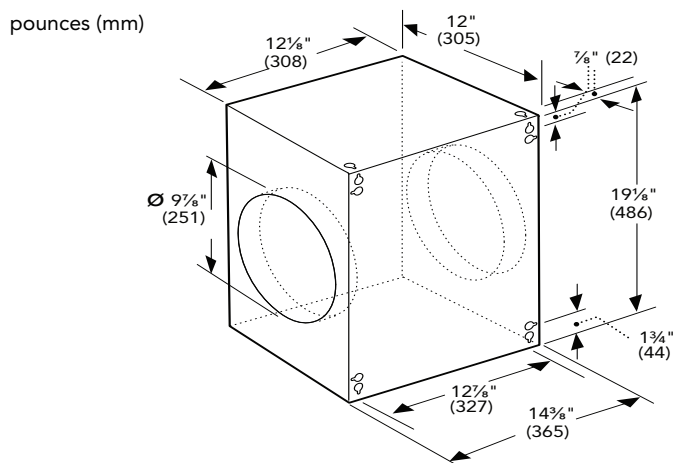
Ventilateur à distance

Selon la préférence et l'emplacement du conduit, ces ventilateurs peuvent être montés sur le toit ou un mur extérieur de la maison. Il peut être plus attrayant de l'installer à l'extérieur pour réduire le bruit dans la cuisine.



Ventilateur de conduit

Pour minimiser le bruit dans la cuisine, ces ventilateurs sont montés le long de la ligne de conduit, n'importe où entre la cuisine et l'extérieur. Si la ligne de conduit est facile d'accès (dans le grenier, par exemple), cette option peut s'avérer attrayante.



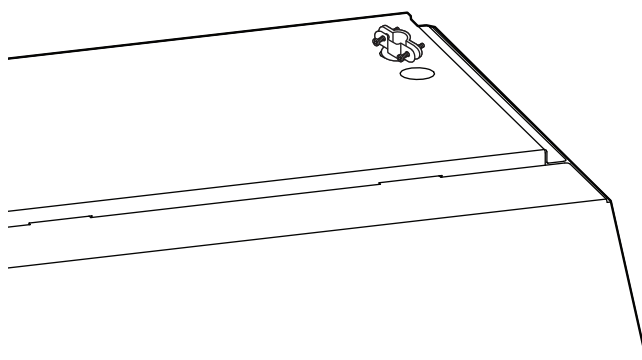
Connexion du fil du moteur de la soufflerie à distance et en ligne.

1. Enlevez le couvercle de la boîte de connexion qui recouvre les fils.
2. Enlevez les entrées défonçables circulaires.
3. Acheminez la fiche du connecteur du moteur du souffleur vers la hotte. Raccordez le faisceau du souffleur à celui de la hotte.
4. Acheminez le faisceau du souffle au travers de la clip autoverrouillante.

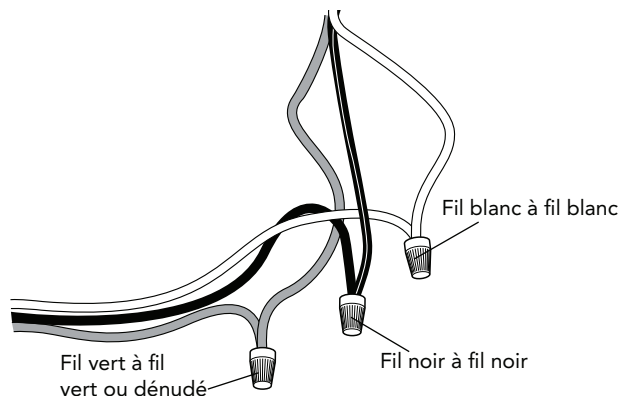
Branchement des câbles

Acheminement des câbles

1. Faites passer un câble d'alimentation de 120 VCA, 60Hz, 15 A ou 20 A du panneau de service à travers l'un des trous de la plaque supérieure. (Protecteur de cordon requis. Non compris.)



2. Branchez le fil noir au fil d'alimentation noir, le fil blanc au fil d'alimentation blanc et le fil vert au fil vert ou dénudé.

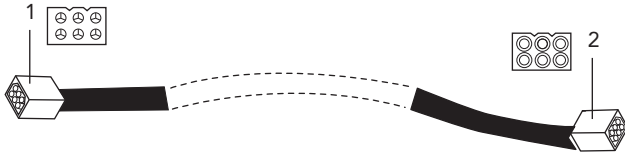


3. Placez toutes les câbles branchés dans le passe-câbles de la boîte de connexion. Réinstallez la plaque de protection. Assurez-vous que les câbles sont solidement fixés ensemble et qu'ils ne sont pas coincés.

Câble de connexion du ventilateur EXTNCB25W (optionnel)

Pour connecter le câble d'extension à la hotte

1. Acheminez le harnais du souffleur interne à travers le réducteur de tension.
2. Connectez le câble d'extension de 25 pieds au harnais du souffleur de la hotte.



- 1 Valeurs de raccordement au capot
- 2 Valeur de raccordement à une soufflerie à distance ou en ligne

NOTE : La garantie de l'appareil s'annule si le connecteur est coupé.

Le câble de rallonge du ventilateur est compatible avec les ventilateurs de conduit et à distance suivants :

Ventilateur	Modèle
Ventilateur à distance	VTR2FZ
Ventilateur à distance	VTR1FZ
Ventilateur de conduit	VTI1FZ
Ventilateur de conduit	VTI2FZ

Commutateur à relais pour clapet d'appoint d'air (facultatif)

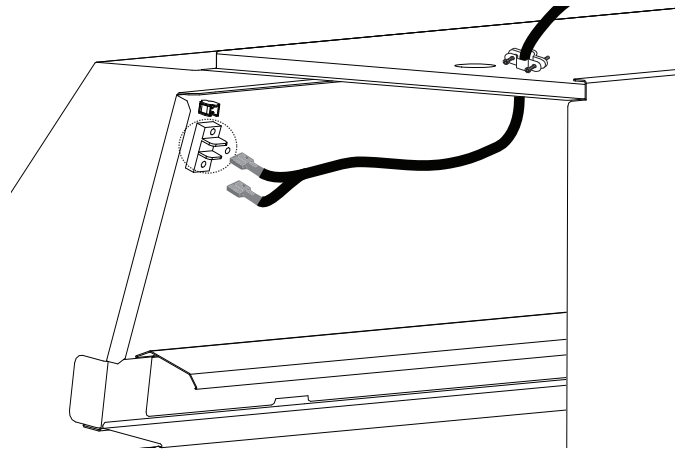
Il se peut que les codes locaux demandent l'utilisation d'un clapet antirefoulement et/ou pour air d'appoint supplémentaire. Communiquez avec un professionnel en système de chauffage, de ventilation et de climatisation (CVC) de votre région pour connaître les exigences.

La hotte dispose d'un commutateur à relais pour raccorder un clapet d'appoint d'air (max. 120 V). Les installations varient en fonction de l'emplacement de la maison où sera installé l'appareil et le clapet utilisé. Utilisez l'image ci-dessous comme guide au moment de l'installation. Respectez toujours les exigences des codes locaux.

Commutateur à relais pour clapet d'appoint d'air (facultatif)

1. Accédez au câblage de la hotte.
2. Acheminez le faisceau du clapet d'appoint d'air par le protecteur de fil vers la plaque à bornes.

- Les raccordements électrique et de retour de la trousse d'appoint d'air s'enfichent dans n'importe quelle borne. Il n'y a aucune exigence en matière de polarité sur la plaque à bornes à deux broches.



3. Fixez solidement le fil de mise à la terre avec la vis verte de mise à la terre T-20.

Installation de la commande à distance (optionnel)

IMPORTANT : La découpe d'un connecteur à l'appareil ou à la trousse de la rallonge annulera la garantie.

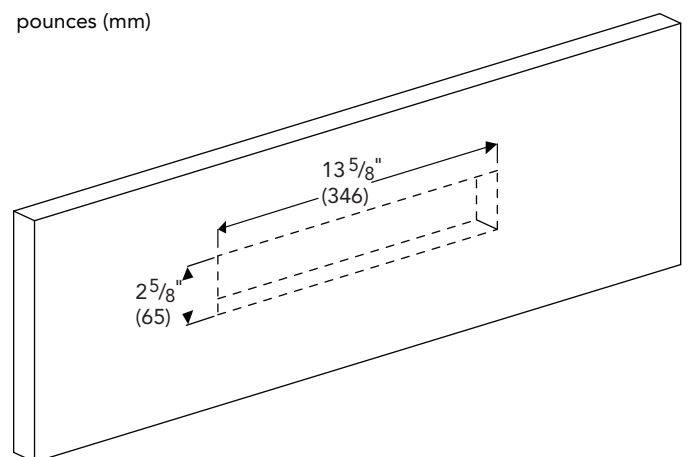
Il est recommandé de procéder au câblage de la commande à distance une fois que la hotte a été installée.

REMCPCW pièces comprises

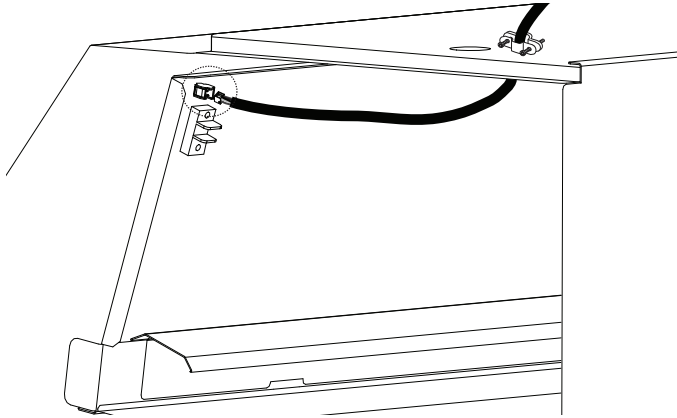
- 1 – Commande à Distances
- 1 – Faisceau d'extension de 30 pi

Installation de la commande à distance

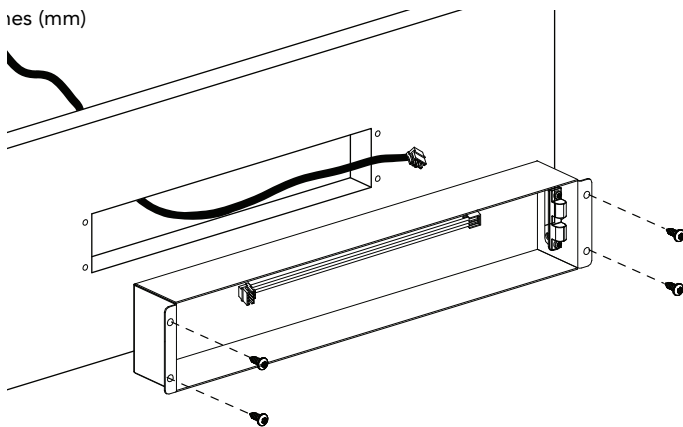
1. Préparation du mur pour installation, comme illustré (vue face au mur).



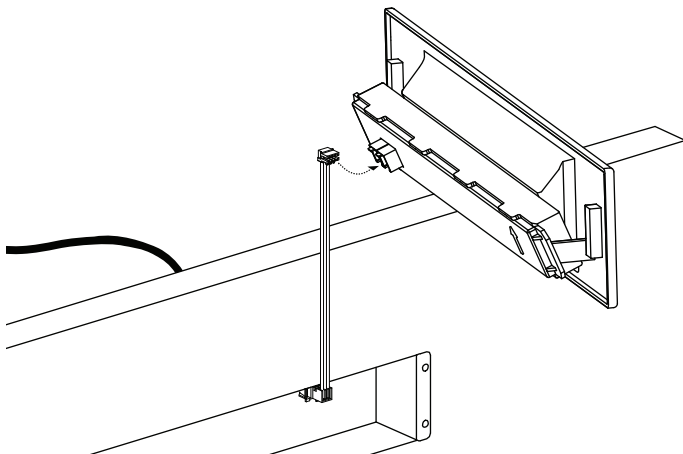
- Accédez au câblage de la hotte. Acheminez le faisceau d'extension de 30 pi (914 cm) vers la bride de fixation carrée en passant à travers le protecteur de cordon jusqu'à ce qu'il s'enclenche.



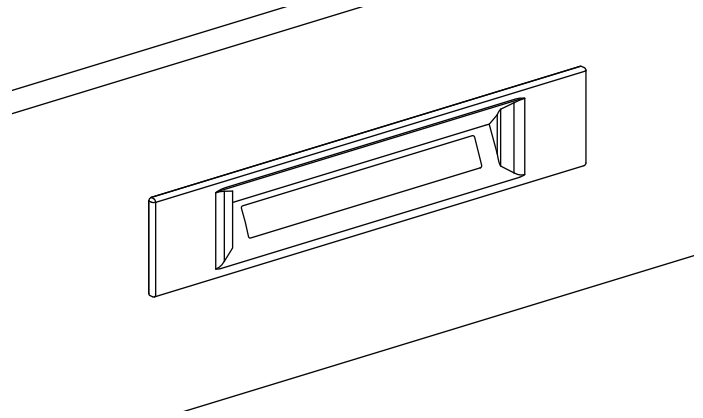
- Faites passer le faisceau d'extension de 30 pi (914 cm) par la découpe et fixez-le au dos du support de la télécommande.
- Fixez le support à l'intérieur de la découpe en appuyant dessus. Percez un trou taraudé de 1/4 po (6 mm) dans les trous du support pour atteindre le mur. Fixez le support au mur avec les quatre (4) vis fournies.



- Raccordez le connecteur du faisceau de fil à l'intérieur du support à la borne au dos de la télécommande. Utilisez une borne ou l'autre.



- Enclenchez la télécommande dans le support.

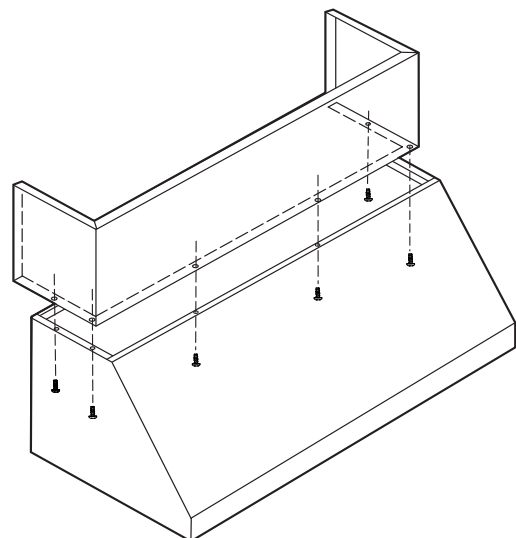


Assemblage du recouvrement de conduit (optionnel)

Certains modèles, un recouvrement de conduit optionnel peut être utilisé pour remplir l'espace entre la hotte et le plafond. Des recouvrements d'une hauteur de 6 po (152 mm) et 12 po (305 mm) sont disponibles et peuvent être commandés séparément.

La figure illustre une installation type de la hotte avec un recouvrement de conduit. Des recouvrements de conduit optionnels de 6 po ou 20 – 54 po cheminée télescopique sont utilisés pour remplir l'espace libre entre la hotte et le plafond (vendus séparément).

La structure de la cheminée est prise en charge par la hotte.



- Si vous utilisez plusieurs recouvrements de conduit, fixez les pièces les unes aux autres à l'aide des vis à tôle fournies.
- Fixez le(s) recouvrement(s) de conduit à la hotte à l'aide des vis à tôle.

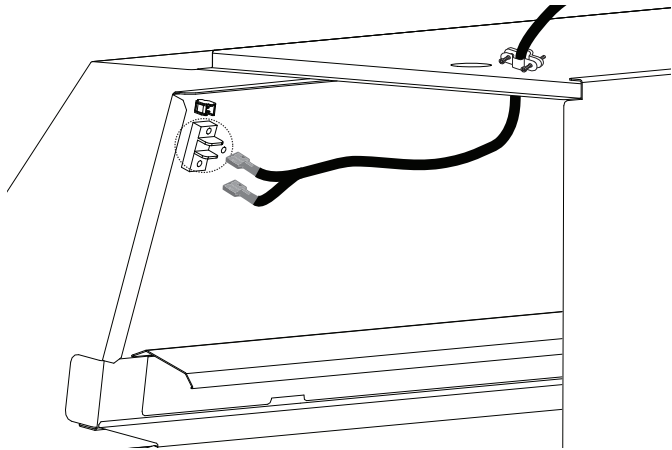
- À partir de l'intérieur de la hotte, insérez les vis de 5/8 po (16 mm) fournies à travers les trous indiqués de chaque côté de la hotte, le long de la partie avant, dans la base du recouvrement de conduit.

Commutateur à relais pour clapet d'appoint d'air (facultatif)

Il se peut que les codes locaux demandent l'utilisation d'un clapet antirefoulement et/ou pour air d'appoint supplémentaire. Communiquez avec un professionnel en système de chauffage, de ventilation et de climatisation (CVC) de votre région pour connaître les exigences.

La hotte dispose d'un commutateur à relais pour raccorder un clapet d'appoint d'air (max. 120 V). Les installations varient en fonction de l'emplacement de la maison où sera installé l'appareil et le clapet utilisé. Utilisez l'image ci-dessous comme guide au moment de l'installation. Respectez toujours les exigences des codes locaux.

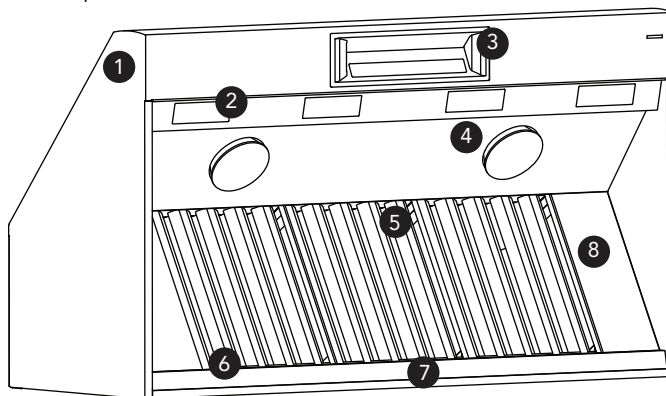
- Accédez au câblage de la hotte.
- Acheminez le faisceau du clapet d'appoint d'air par le protecteur de fil vers la plaque à bornes.
 - Les raccordements électrique et de retour de la trousse d'appoint d'air s'enfichent dans n'importe quelle borne. Il n'y a aucune exigence en matière de polarité sur la plaque à bornes à deux broches.



- Fixez solidement le fil de mise à la terre avec la vis verte de mise à la terre T-20.

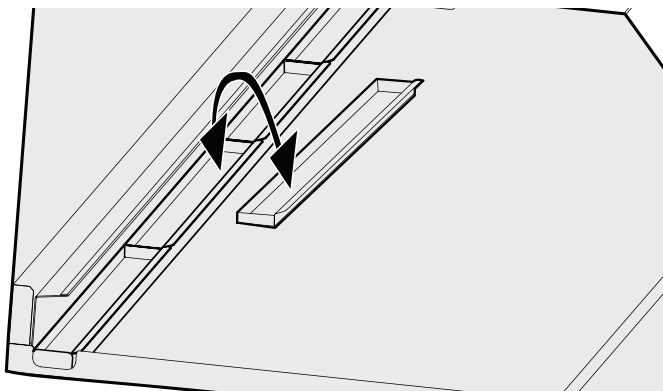
Installation des filtres, des plateaux à graisse et des pièces d'espacement

La vue peut varier

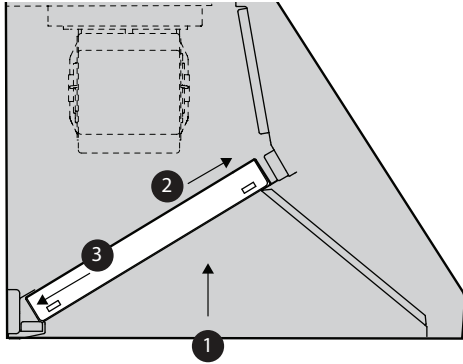


- | | |
|------------------------------------|---------------------------------|
| (1) Canopée | (2) DEL s'allume |
| (3) Bandeau tactile | (4) Lampes infrarouges |
| (5) Filtres | (6) Plateau à graisse |
| (7) Rainure des plateaux à graisse | (8) Pièces d'espacement graisse |

- Tournez le ventilateur et lumières éteintes.
- Enlevez tout le plastique des pièces de la hotte.
- Insérez les pièces dans l'ordre suivant :
 - 1) Plateaux à graisse – poussez les plateaux dans la partie inférieure de l'intérieur de l'appareil. Les plateaux à graisse doivent être en place avant l'installation des filtres.



- 2) Filtres – Commencez par insérer le filtre de 8 po au centre, puis ajoutez les autres jusqu'aux bords. Poussez vers le haut et faites glisser vers l'avant de la hotte, puis poussez vers le fond.



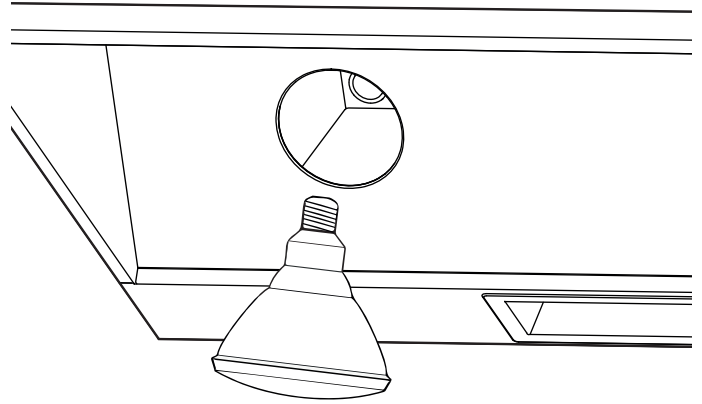
- 3) Pièces d'espacement – insérez les pièces d'espacement de la même manière que les filtres.
4. Suivez les directives ci-dessus dans le sens inverse pour enlever le plateau à graisse, les filtres et les pièces d'espacement à filtre.

NOTE : N'utilisez pas la surface de cuisson lorsque la hotte n'est pas assemblée. Les plateaux à graisse doivent être en place avant d'installer les filtres.

Remplacement des lampes infrarouges

- Tournez l'ampoule infrarouge dans le sens horaire pour l'installer.
- Remplacez l'ampoule par une ampoule PAR-38 175W ou une ampoule PAR-40 250W.

Consultez le guide d'utilisation et d'entretien pour obtenir de plus amples renseignements.



Service et liste de vérification de l'installateur

Liste de vérification à l'intention de l'installateur

Vérification final

_____ Espaces libres indiqués respectés par rapport à la surface de cuisson.

_____ L'appareil est de niveau.

_____ Tout le matériel d'emballage a été enlevé.

_____ Le propriétaire sait où se trouve le tableau de disjoncteurs.

_____ Mise à la terre adéquate.

_____ Écrivez le numéro de modèle et le numéro de série sur trouvant sur la plaque signalétique dans le Manuel d'Utilisation et d'Entretien. Laissez le Manuel d'Utilisation et d'Entretien et le Manuel d'Installation au propriétaire de l'appareil.

_____ Laissez la brochure des directives de Home Connect avec le propriétaire de l'appareil électroménager. Pour optimiser le plein potentiel des fonctionnalités de l'appareil électroménager, le propriétaire devrait télécharger l'appli Home Connect sur son appareil intelligent et appairer l'appareil électroménager avec le dispositif Wi-Fi de la maison.

- Vous pouvez nettoyer l'acier inoxydable en le frottant avec un chiffon doux et de l'eau savonneuse tiède. Frottez et séchez toujours l'acier inoxydable dans le sens du grain. Rincez-le à l'eau claire et séchez-le avec un chiffon doux.
- NE laissez PAS les dépôts rester pendant de longues périodes.
- N'utilisez PAS de laines ou brosses d'acier ordinaires. De petits dépôts d'acier pourraient adhérer à la surface et la faire rouiller.
- NE permettez PAS que des solutions salées, des éponges ou produits nettoyants abrasifs, des désinfectants, de l'eau de Javel ou d'autres produits nettoyants restent en contact avec l'acier inoxydable pendant de longues périodes. Plusieurs de ces produits contiennent des produits chimiques potentiellement nuisibles. Rincez avec de l'eau après chaque exposition et séchez avec un chiffon propre.

Avant d'appeler le service à la clientèle

Dépannage

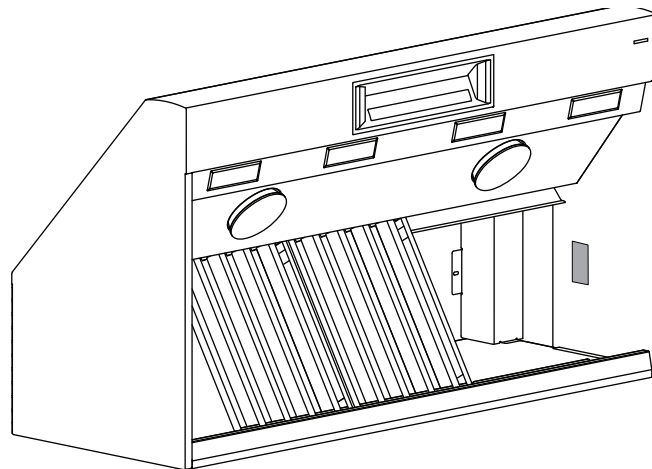
Consultez la section dépannage du manuel d'utilisation et d'entretien. Rapportez-vous à la garantie du manuel d'utilisation et d'entretien. Ayez à portée de la main les renseignements imprimés sur la plaque signalétique de votre appareil lorsque vous appelez le service à la clientèle.

Consultez les coordonnées apparaissant au verso du manuel pour joindre un représentant du service à la clientèle. Ayez à portée de la main les renseignements imprimés sur la plaque signalétique de votre appareil lorsque vous appelez le service à la clientèle.

Plaque signalétique du produit

La plaque signalétique indique le numéro de modèle et le numéro de série. Elle se trouve derrière les filtres. Rapportez-vous à la plaque signalétique lorsque vous demandez du service.

La plaque se trouve sur le boîtier, derrière le filtre. Enlevez le filtre pour la consulter.



Índice

Seguridad	42
Instrucciones importantes de seguridad	42
Planificación avanzada	45
Antes de comenzar	45
Información general	46
Instrucciones de instalación	47
Factores a tener en cuenta para la instalación	47
Exigencias eléctricas	48
Preparación del conducto de aireación	48
Elección de un ventilador adecuado	50
Junta de la campana	51
Instalación mural	52
Instalación bajo un armario	55
Instalación del motor del ventilador	55
Conexión de los cables	57
Cable de conexión del ventilador EXTNCB25W (opcional)	57
Interruptor de relé de regulador de tiro de aire de compensación (opcional)	57
Instalación del mando a distancia	58
Instalación de la cubierta para el conducto	59
Instalar filtros, bandejas para la grasa y separadores	60
Reemplazo de las lámparas infrarrojas	60
Servicio y lista de chequeo del instalador	61
Lista de chequeo para el instalador	61
Antes de solicitar servicio	61
Placa de señalización del producto	61
Servicio, piezas y accesorios	contraportada

*Este electrodoméstico de THERMADOR®
está hecho por BSH Home Appliances Corporation
1901 Main Street, Suite 600
Irvine, CA 92614*

¿Preguntas?

1-800-735-4328

www.thermador.com

¡Esperamos oír de usted!

⚠ INSTRUCCIONES IMPORTANTES DE SEGURIDAD

LEER Y CONSERVAR ESTAS INSTRUCCIONES

Esta guía de uso y mantenimiento explica los aspectos básicos del manejo del aparato y otras medidas de seguridad que es preciso seguir. Para obtener información relativa a una instalación completa y segura, consultar las instrucciones de instalación que se incluyen con el aparato.

Todos los manuales de productos están disponibles en línea para su descarga en www.thermador.com/us/support/owner-manuals o www.thermador.ca/en/support/owner-manuals.

INSTALADOR: se ruega dejar estas instrucciones con esta unidad para el propietario.

PROPIETARIO: se ruega conservar estas instrucciones para consultar en el futuro. Leer íntegramente las instrucciones antes de utilizar el aparato. El instalador debe mostrar al usuario dónde se encuentran el breaker del circuito eléctrico y la llave de cierre del gas, para que sepa dónde puede desconectar el suministro eléctrico y de gas del aparato.

Definiciones de seguridad

⚠ **ADVERTENCIA:** No respetar esta indicación puede producir lesiones graves o la muerte.

⚠ **PRECAUCIÓN:** No respetar esta indicación puede producir lesiones leves o moderadas.

ATENCIÓN: No respetar esta indicación puede producir daños materiales o en el aparato.

Nota: alerta sobre información y/o consejos importantes.

ADVERTENCIA

Corte la alimentación eléctrica y bloquee el panel del disyuntor antes de instalar el cableado de este aparato. Requisitos: 120 VCA, 60 Hz, 15 A o 20 A en algunos modelos. Antes de proceder al mantenimiento del aparato, déjelo enfriar una vez haya cortado la alimentación.

ADVERTENCIA



Si no sigue rigurosamente la información contenida en este manual podría provocar un incendio o una explosión, y como resultado podría causar daños a la propiedad, lesiones o la muerte.

- No guarde o use materiales combustibles, gasolina u otros productos inflamables, bajo cualquier tipo de envase cerca de esta placa de cocción o de cualquier otro aparato.
- **QUÉ HACER EN CASO DE OLER A GAS**
 - No trate de encender ningún aparato.
 - No toque ningún interruptor eléctrico.
 - No use ningún teléfono en su casa.
 - Llame de inmediato a su proveedor de gas desde el teléfono de algún vecino y siga las instrucciones de su proveedor de gas.
 - Cuando no pueda localizar a su proveedor de gas, llame a los bomberos.
- Un instalador cualificado, una agencia de servicio autorizada o el proveedor de gas debe realizar la instalación y el servicio.

ADVERTENCIA

Dispositivo automático

Para evitar el riesgo de lesiones desconectar siempre el aparato de la red eléctrica antes de realizar cualquier trabajo.

ADVERTENCIA

No repare ni reemplace ninguna pieza del aparato a menos que el presente manual lo recomiende expresamente. La instalación, reparación y el mantenimiento incorrectos del aparato pueden causar lesiones a personas, daños a la propiedad, o anular la garantía del producto. Consulte este manual para obtener consejos. Un técnico cualificado debe llevar a cabo todos los demás trabajos de mantenimiento.

⚠ INSTRUCCIONES IMPORTANTES DE SEGURIDAD

LEER Y CONSERVAR ESTAS INSTRUCCIONES

ADVERTENCIA

PARA REDUCIR EL RIESGO DE INCENDIO, DE DESCARGA ELÉCTRICA Y DE LESIONES, SIGA LAS SIGUIENTES INSTRUCCIONES:

- Sólo use este aparato de la manera prevista por el fabricante. Si tiene preguntas, póngase en contacto con el fabricante.
- Antes de limpiar o de proceder al mantenimiento del aparato, corte la alimentación eléctrica en el panel y bloquee el dispositivo de desconexión para evitar que se vuelva a encender la alimentación eléctrica por error. Si el dispositivo de corte de electricidad no se puede bloquear, ponga una advertencia (como una etiqueta) fácilmente visible en el disyuntor. Póngase en contacto con el fabricante a la dirección o al número de teléfono que figuran en la página posterior.

ADVERTENCIA



RIESGO DE DESCARGA ELÉCTRICA

- No quite la clavija de toma de tierra.
- No use un alargador eléctrico.
- Una toma de tierra inadecuada para el aparato puede aumentar los riesgos de descarga eléctrica.
- El hecho de no seguir las instrucciones de este manual puede causar la muerte o provocar un incendio o una descarga eléctrica.

Instrucciones para la toma de tierra

Para el correcto funcionamiento de este aparato debe realizarse la toma de tierra. En el caso de un cortocircuito, la toma de tierra reduce los riesgos de descarga eléctrica proporcionando a la corriente eléctrica una vía de escape segura.

Asegúrese de que un electricista cualificado efectúe la conexión y la toma de tierra de este aparato. La instalación, la conexión eléctrica y la toma de tierra deben cumplir con todos los códigos vigentes.

Si lo exige el Código nacional de la electricidad (o el Código Canadiense de la electricidad, este aparato se debe instalar en un circuito de derivación separado.

ADVERTENCIA

Para reducir los riesgos de incendio y de descargas eléctricas, no utilice este aparato con un dispositivo electrónico de control de velocidad.

Normas y códigos de seguridad

Este aparato respeta una o varias de las normas siguientes:

- UL507, norma de seguridad para ventiladores eléctricos.
- CAN/CSA-C22.2 No. 113 – ventiladores

Corresponden al dueño y al instalador determinar si se deben aplicar requisitos o normas adicionales a la instalación específica.

PRECAUCIÓN



El aparato es pesado. Se necesitan por lo menos dos personas, o el equipo adecuado, para levantarlo y desplazarlo.

Las superficies ocultas del aparato pueden tener salientes cortantes. Tenga cuidado al manipular el aparato. De lo contrario, podría causar daños a la propiedad o lesiones corporales.

Advertencia en virtud de la Proposición 65:

Este producto puede contener un químico que el Estado de California reconoce como potencialmente cancerígeno o causante de daños reproductivos. Por tanto, su producto debe llevar en su embalaje la siguiente etiqueta de conformidad con la legislación de California:

Advertencia en virtud de la Proposición 65 del estado de California: :

⚠ **ADVERTENCIA**

Cancerígeno o causante de daños reproductivos -
www.P65Warnings.ca.gov

Nunca modifique la construcción del aparato. Por ejemplo, no quite los paneles laterales, los cubre cables, los tornillos o los soportes.

PRECAUCIÓN

Sólo para ventilación general. No use este aparato para evacuar gases o materiales explosivos o peligrosos. Para reducir el riesgo de incendio, sólo use conductos metálicos.

Contrate a un instalador cualificado.

Retire toda la cinta y el embalaje antes de usar el electrodoméstico. Desechar el embalaje de manera respetuosa con el medio ambiente. Nunca deje que los niños jueguen con el material de embalaje.

⚠ INSTRUCCIONES IMPORTANTES DE SEGURIDAD

LEER Y CONSERVAR ESTAS INSTRUCCIONES

ADVERTENCIA: PARA REDUCIR EL RIESGO DE INCENDIO, DE DESCARGA ELÉCTRICA O DE LESIÓN, SIGA LAS SIGUIENTES INSTRUCCIONES:

- Los trabajos de instalación y de cableado eléctrico deben de llevarse a cabo por una persona cualificada conforme a las estipulaciones de todas las normas y regulaciones vigentes, incluso las normas de construcción clasificadas como resistentes al fuego.
- Para evitar contracorrientes, se requiere una cierta cantidad de aire para la combustión y la evacuación de los gases por el tiro del aparato de combustión. Siga las indicaciones de calentamiento del fabricante del aparato y las normas de seguridad, como las publicadas por la National Fire Protection Association (NFPA), la Heating, Refrigeration and Air Conditioning Engineers (ASHRAE) y las autoridades locales.
- No extraiga el aire hacia los espacios entre las paredes, el techo, el ático, los vacíos sanitarios o el garaje.
- Los ventiladores con conductos siempre deben extraer el aire hacia afuera.
- Los ventiladores entubados siempre deben ser ventilados hacia el exterior.
- UTILICE SÓLO CONDUCTOS METÁLICOS.
- Cuando corte o perforo una pared o un techo, asegúrese de no dañar el cableado eléctrico o cualquier otra instalación técnica que pueda estar oculta.

PRECAUCIÓN

Se debe instalar un ventilador exterior detrás de las rejillas o en un lugar donde sea poco probable que se ubique la entrada de extracción de agua.

Planificación avanzada

Antes de comenzar

⚠ ADVERTENCIA

El montaje incorrecto de electrodomésticos de gas y campanas extractoras puede provocar un riesgo de escape de monóxido de carbono, que puede resultar dañino. Para reducir el riesgo de intoxicación por monóxido de carbono, asegurarse de que el electrodoméstico de gas esté correctamente instalado según las instrucciones del fabricante, así como de que la campana extraiga el aire hacia el exterior para la correcta extracción de gases o humos.

Los electrodomésticos de gas liberan monóxido de carbono que puede ser dañino o fatal si se inhala. Para reducir el riesgo de incendio y para extraer adecuadamente el aire, los gases de escape que extraiga la campana deben ventilarse únicamente hacia el exterior del edificio.

Consultar los códigos de construcción locales respecto a los requisitos o restricciones sobre la instalación de productos de ventilación en modo de recirculación.

La altura de instalación de la campana extractora sobre la placa de cocción, parrilla de gas empotrable o estufa puede variar. Para obtener la altura de instalación necesaria sobre una placa de cocción, parrilla de gas o estufa, consultar el manual de instalación del aparato o la matriz de combinaciones.

AVISO: la campana podría dañarse por un exceso de calor si se opera una estufa o parrilla de estufa con varios quemadores en configuraciones altas, situada debajo de una campana que esté instalada a distancias mínimas y apagada.

Distancia desde la superficie de cocción

Por encima de una placa de cocción, parrillas de estufa o estufa, se recomienda una altura de instalación mínima de 30" (762 mm); sin embargo, es necesario seguir las instrucciones de instalación del fabricante del electrodoméstico para obtener la altura adecuada de la campana.

Consultar los códigos de construcción locales para ver los requisitos o restricciones durante la instalación de productos de ventilación en modo de recirculación.

Piezas Proporcionadas

- Racor metálico con registro anti retorno
- Filtros
- Separadores de filtros
- Bandejas para la grasa

- Lámparas infrarrojas (ciertos modelos)
- Adaptador para ventilador a distancia
- Soporte de madera para el montaje de la campana
Pieza de montaje. NO LO TIRE.
- Sobre de documentos con juego de elementos de fijación*

* Los elementos de fijación proporcionados sirven para fijar el aparato a los travesaños de la pared, a través de tablas de yeso de grosor estándar. Los instaladores son los responsables de proporcionar los elementos de fijación para el resto de posibles situaciones de montaje.

Herramientas y piezas necesarias

- Ventilador (Consultar la Guía de Planeación de Ventilación para obtener información sobre los ventiladores compatibles.)
- Conducto de aireación, según las necesidades
- Cinta de aluminio, NO use cinta para conductos
- Tubo protector de 1/2 pulg. (13 mm) si es necesario, siga los códigos locales
- Prensacable de 1 pulg. (25,4 mm)
- Destornilladores plano y Phillips
- Taladrar con broca de 3/16" (4.76 mm)
- Llave de tuerca o carraca y boquilla de 3/8" (9 mm)
- Pelacable
- Cinta métrica

NOTA: No tire el embalaje antes de que el aparato esté completamente instalado.

Los accesorios opcionales están disponibles para su compra por separado

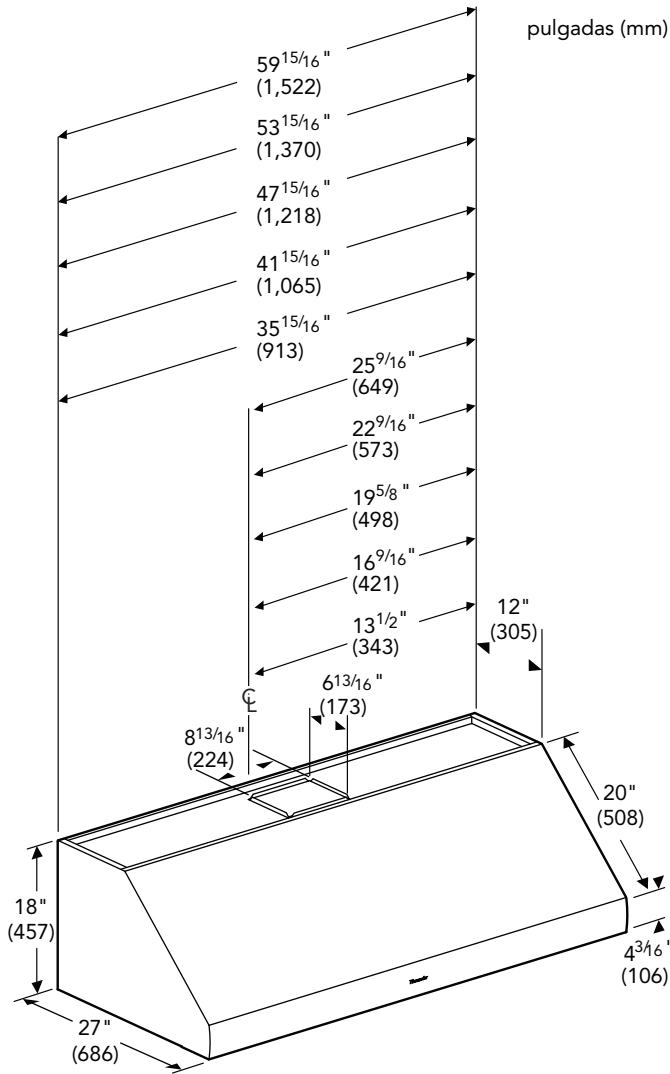
Consulte www.thermador.com para obtener más detalles.

Accessories	Description
EXTNCB25W	Cable de conexión de 25 pies para soplador
EXTNSET4	Kit de adaptador de cable de extensión de módulo de ventilador y ventilador en línea de 25 pies
RFPLT600P	Placa de techo para utilizarse con módulo de ventilador VTR1FZ
RFPLT1000P	Placa de techo para utilizarse con módulo de ventilador VTR2FZ
REMCPW	Mando a distancia

Información general

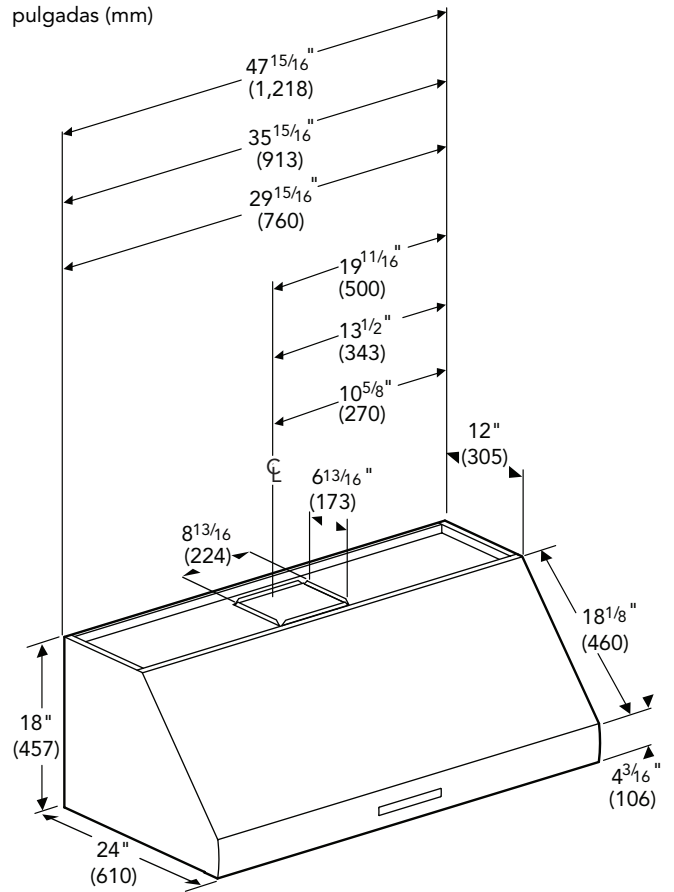
Dimensiones totales

PHxxGWS – 27 pulg. (686 mm) de profundidad. Los modelos de esta serie se caracterizan por su armazón de acero inoxidable cepillado, sus lámparas LED y sus lámparas infrarrojas.



NOTA: La transición es horizontalmente centrada.

PHxxHWS – 24 pulg. (610 mm) de profundidad. Los modelos de esta serie se caracterizan por su armazón de acero inoxidable cepillado y sus lámparas LED.



NOTA: La transición es horizontalmente centrada.

Instrucciones de instalación

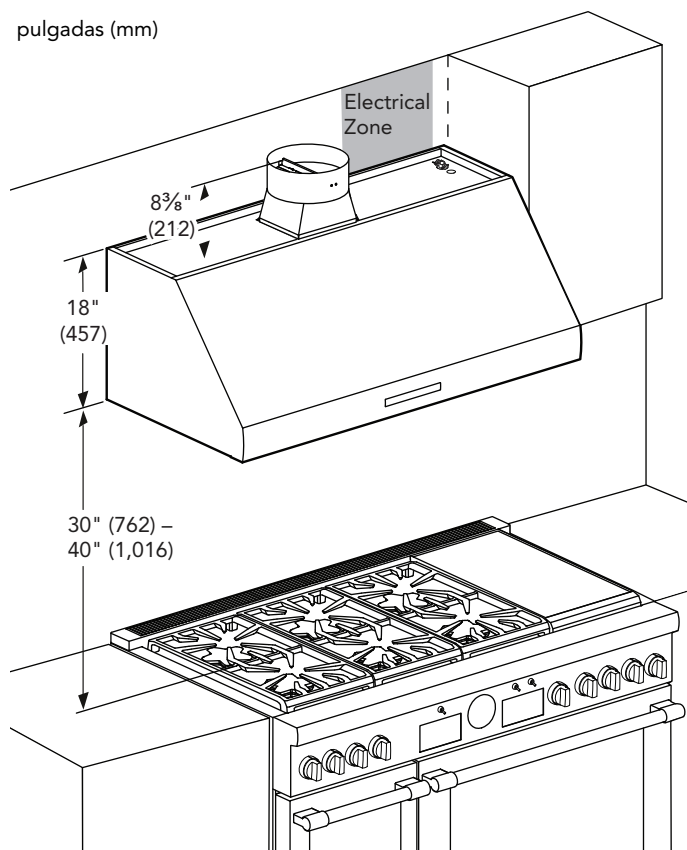
Factores a tener en cuenta para la instalación

Espacios y requisitos

El conducto de la campana debe evacuar el aire al exterior. No se puede usar con un aparato de recirculación de aire.

La altura de instalación de la campana sobre la placa de cocción, de la cocina o de los fogones puede variar. Para obtener la altura de instalación necesaria sobre la placa de cocción, de la cocina o de los fogones, consulte el manual de instalación del aparato.

pulgadas (mm)



*Siga las recomendaciones del fabricante del aparato.

Anchura de la campana extractora

- La anchura de la campana extractora no debe ser inferior a la anchura de la superficie de cocción. Para obtener un desempeño adecuado, la carcasa debe cubrir la totalidad de la superficie de cocción del aparato.
- Para obtener un desempeño adecuado, la campana extractora debe estar centrada horizontalmente sobre la superficie de cocción. Si no hay limitaciones de espacio se puede usar una campana extractora más ancha para aumentar la superficie de aspiración.

Distancia desde la superficie de cocción

- La altura de instalación de la campana sobre la placa de cocción, parillas de estufa o estufa puede variar.
- La altura de instalación varía desde una altura mínima de 30" (762 mm) hasta una altura máxima sugerida de 40" (1,016 mm). Sin embargo, es necesario seguir las instrucciones de instalación del fabricante del electrodoméstico para la altura adecuada de la campana.

AVISO: la campana podría sufrir daños por el calor si se opera una estufa o parrilla de estufa de la serie Thermador Professional® con varios quemadores en configuraciones altas, situada debajo de una campana que esté instalada a distancias mínimas mientras la campana está apagada.

Peso del aparato

- Esta campana de ventilación es pesada. Se debe proporcionar la estructura y el soporte adecuados en todos los tipos de instalaciones.
- Al calcular la carga para el sistema de soporte de la carcasa, asegurarse de tener en cuenta el peso del aparato de ventilación.

Modelo	Peso
PH30HWS	62 lbs. (28 kg)
PH36HWS	70 lbs. (32 kg)
PH48HWS	85 lbs. (39 kg)
PH36GWS	75 lbs. (34 kg)
PH42GWS	84 lbs. (38 kg)
PH48GWS	90 lbs. (41 kg)
PH54GWS	96 lbs. (44 kg)
PH60GWS	103 lbs. (47 kg)
Ventilador integrado VTN1DZ	8 lbs. (3.6 kg)
Ventilador integrado VTN2FZ	19 lbs. (8.6 kg)

AVISO:

Los pesos indicados sólo tienen cuenta de la campana y el ventilador. El instalador debe tener en cuenta todo el material de construcción para calcular el peso muerto total de la instalación, incluyendo, sin limitarse a ello, la pared, los azulejos, el mortero, el yeso, los ladrillos, el acabado, los muros de separación y otros elementos arquitectónicos y estructurales semejantes. Corresponden al dueño y al instalador determinar si se deben aplicar requisitos o normas adicionales a la instalación específica.

Estructura de soporte

- Debido al peso de la campana, asegurarse de que el soporte de montaje de madera esté fijado a todos los pernos de pared disponibles.
- Los armazones deben fijarse unos con otros así como a las viguetas del techo para proporcionar suficiente resistencia estructural para soportar el peso de la campana y el ventilador interno, si corresponde.
- El armazón debe estar hecho de madera de construcción, con un mínimo de 2" x 4". Se requiere soporte estructural adecuado para acomodar el peso de la campana.

Ventilación

- La campana de chimenea requiere que los conductos se ventilen hacia el exterior del edificio.

Exigencias eléctricas

⚠ ADVERTENCIA

Se debe realizar una toma de tierra para este aparato.

- Se debe conectar este aparato a un circuito de derivación de 120 VCA, 60 Hz, 15 A.
- Se debe conectar la campana únicamente a un tomacorriente mural con toma de tierra instalada conforme a las regulaciones vigentes.
- Cuando están protegidas por un interruptor de fallos con toma de tierra (GFCI), las campanas Professional de Thermador pueden utilizarse en sitios húmedos, protegidos de las condiciones meteorológicas exteriores y no sujetos a saturaciones de agua u otros líquidos, aunque presenten cierto grado de humedad (como en terrazas cubiertas o verandas). Consulte los códigos locales, el código nacional de la electricidad o el Código canadiense de la electricidad así como la autoridad competente para obtener más información.
- Consulte los códigos de construcción locales para conocer el método de instalación adecuado. En EEUU, si no hay un código local vigente, se debe instalar este aparato conforme a la edición más reciente de la norma 70 del Código nacional de la electricidad ANSI/NFPA. En Canadá, la instalación se debe hacer conforme a las normas CAN 1- B149.1 y .2 para aparatos de gas o los códigos locales vigentes.
- Se venden cables de conexión para ventilador a distancia (EXTNCB25W) de 25 pies si se quiere conectar la campana a un ventilador a más de 25 pies de distancia (adquirido por separado). NO utilice más de un cable de conexión para cada instalación.

Datos eléctricos de la placa de señalización



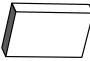

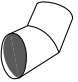
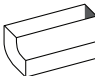
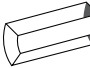

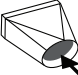
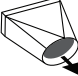
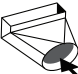
- Los datos eléctricos del aparato, incluidos el número de modelo y el número de serie, se encuentran en la placa de señalización situada en el interior del aparato, visible cuando se quita el marco de los filtros. (Consulte la sección «Placa de señalización del producto».)

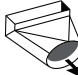
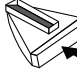
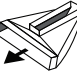
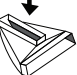



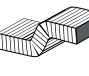

Preparación del conducto de aireación

- El aire debe ser evacuado hacia arriba mediante un conducto o directamente fuera a través de la pared exterior.
- Recomendaciones para el conducto
- El buen rendimiento depende de un conducto adecuado. El código de construcción local puede exigir que se use un sistema de aire de recambio, cuando se use un sistema de ventilación con conductos cuya cantidad de pi^3/min de aire sea superior a lo indicado. Los pi^3 cúbicos por minuto varían de un sitio a otro. Incumbe al dueño y al instalador determinar si se deben aplicar requisitos o normas adicionales a la instalación específica.
- **NO USE CONDUCTOS FLEXIBLES.** Esos conductos crean turbulencias y reducen el rendimiento. Instale siempre una tapa metálica en el lugar donde salga el conducto de la casa. La campana solo debe ventilarse hacia el exterior del edificio.
- **TEMPERATURAS FRÍAS.** Para una instalación donde las condiciones meteorológicas son frías, se debe instalar un registro anti retorno adicional para minimizar la entrada de aire frío de fuera, con un aislante térmico no metálico que minimice la conducción de la temperatura exterior hacia el conducto. El registro debe colocarse en el aislante térmico, en el lado del aire frío. El aislante se debe instalar tan cerca como sea posible de la parte donde el conducto entra en la parte caliente de la casa.
- **AIRE DE RECAMBIO:** El código de construcción local puede exigir que se use un sistema de aire de recambio cuando se usa un sistema de ventilación con conductos cuya cantidad de pi^3/min de aire es superior a lo indicado. La cantidad de pi^3/min indicada varía de un código a otro. Corresponden al dueño y al instalador determinar si se deben aplicar requisitos o normas adicionales a la instalación específica.
- Por razones de seguridad, el conducto debe extraer directamente el aire hacia el exterior (y no en el ático, bajo la casa, en el garaje o en un espacio cerrado).

- Thermador recomienda que la longitud total no exceda 50 pi (15,24 m).
- Instale el conducto más corto y recto que pueda. Los codos y las juntas reducen la eficacia de la circulación de aire. El uso de dos codos en forma de «S» o más, da malos resultados y no es recomendable.
- El uso de un conducto corto y recto en el lugar donde se instala un ventilador a distancia da mejores resultados.
- Las campanas se venden con una junta circular de 10 pulg. (254 mm). Deben de comprarse juntas si son de dimensiones distintas.
- Utilice la tabla «Longitud total equivalente del conducto con los racores más comunes» para calcular la longitud total aceptable del conducto entre la campana y el exterior.

Longitud total equivalente del conducto con los racores más comunes

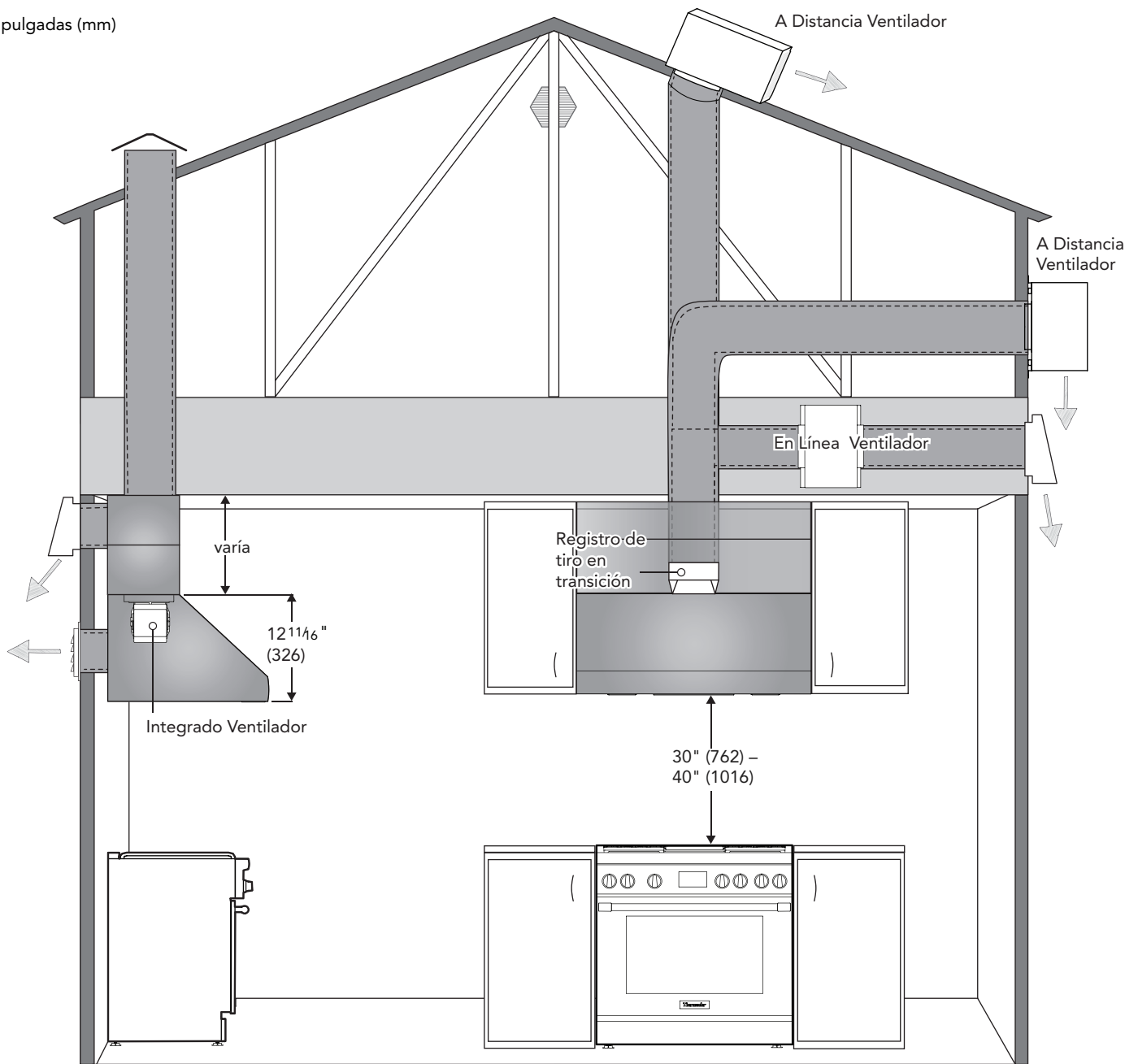
Pieza de conducto	Diámetro de la pieza (pulg.)	Longitud equivalente (pi)
 Liso, recto	6	1.2
	8	0.7
	10	0.6
 3/4 pulg. x 10 pulg. recto	N/D	1
 3/4 pulg. x 14 pulg. recto	N/D	0.7
 Codo circular a 90°	6	12
	8	6
	10	5
 Codo circular a 45°	6	5
	8	3
	10	2
 Codo de 3/4 pulg. x 10 pulg. a 90°	N/D	5
 Codo de 3/4 pulg. x 10 pulg. a 45°	N/D	15
 Codo llano de 3/4 pulg. x 10 pulg.	N/D	20
 Circular a 3/4 pulg. x 10 pulg.	6	1
	8	10
 3/4 pulg. x 10 pulg. a circular	6	5
	8	2
 Circular a codo de 3/4 pulg. x 10 pulg. a 90°	6	10

Pieza de conducto	Diámetro de la pieza (pulg.)	Longitud equivalente (pi)
 3/4 pulg. x 10 pulg. a codo circular a 90°	6	10
 Codo invertido izquierdo a céntrico de 3/4 pulg. x 10 pulg.	N/D	15
 Codo invertido recto a centro de 3/4 pulg. x 10 pulg.	N/D	25
 Codo invertido a izquierda de 3/4 pulg. x 10 pulg.	N/D	15
 Codo invertido a recto de 3/4 pulg. x 10 pulg.	N/D	25
 Salida circular mural	6	2
	8	2
	10	2
 Salida circular de techo	6	2
	8	2
	10	2
 Conducto flexible de 3/4 pulg. x 10 pulg. de 2 pies de long.	N/D	20
 Soporte de fijación y obturador de techo de 3/4 pulg. x 10 pulg.	N/D	2

NOTA: Esas piezas de uso frecuente se venden en ferreterías. Thermador no fabrica todas esas piezas.

Configuraciones de conductos comunes

pulgadas (mm)



NOTA: La figura no representa todas las configuraciones o los métodos de instalación. La imagen se debe usar SOLO como una guía.

Elección de un ventilador adecuado

Ventilador adecuado

Sólo use ventiladores Thermador® con las campanas Thermador. Vea la «Guía de Planificación de Ventilación» para saber qué ventiladores se recomiendan. Póngase en contacto con atención al cliente para conocer otras opciones posibles (vea la contraportada del manual para obtener la información de contacto).

Puede obtener los soplores internos, en línea y remotos por medio de su distribuidor Thermador® autorizado. Para obtener información sobre distribuidores locales, visite la sección "Find a dealer" (Encuentre un distribuidor) de nuestro sitio web www.thermador.com.

La elección de un ventilador depende del volumen que se debe extraer así como de la longitud y de la ubicación del conducto. Para los conductos largos que tienen muchos empalmes y cambios de dirección, se puede usar un ventilador más potente. Para una evacuación eficaz del aire, use un conducto recto con tan pocos codos como sea posible.

Opciones de ventiladores

Description	SKU
Módulo de ventilador (montado en el techo o pared externa)	VTR1FZ
	VTR2FZ
Ventilador en línea (montado entre la estufa y la pared exterior)	VTI1FZ
	VTI2FZ
Ventilador integrado (montado dentro de la campana)	VTN1DZ (sólo PH30HWS)
	VTN2FZ

25 pies Cable de conexión para soplador

Se venden cables de conexión para ventilador a distancia (EXTNCB25W) de 25 pies si se quiere conectar la campana a un ventilador a más de 25 pies de distancia (adquirido por separado). NO utilice más de un cable de conexión para cada instalación.

Junta de la campana

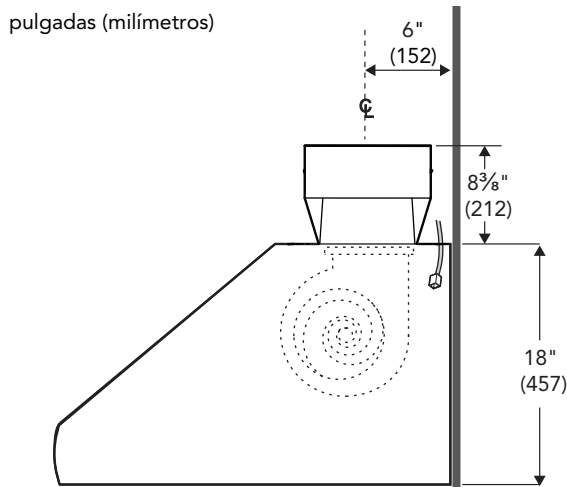
Dirección de descarga

Se puede instalar la campana en una pared o debajo de un armario. Los dos métodos de instalación pueden tener una salida vertical u horizontal.

SALIDA VERTICAL

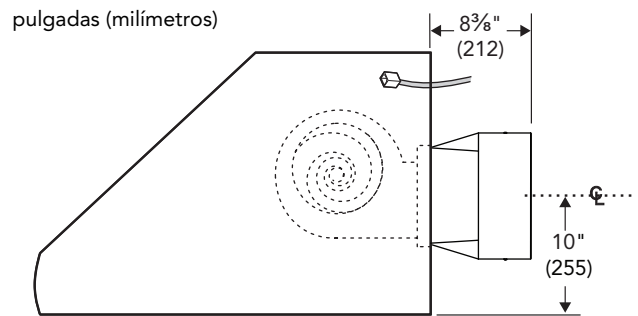
Al expedir la campana, está configurada para una salida vertical.

La transición que se proporciona con el campana se conecta al ducto redondo estándar de 10 pulgadas. La figura muestra la transición conectada para la descarga vertical.

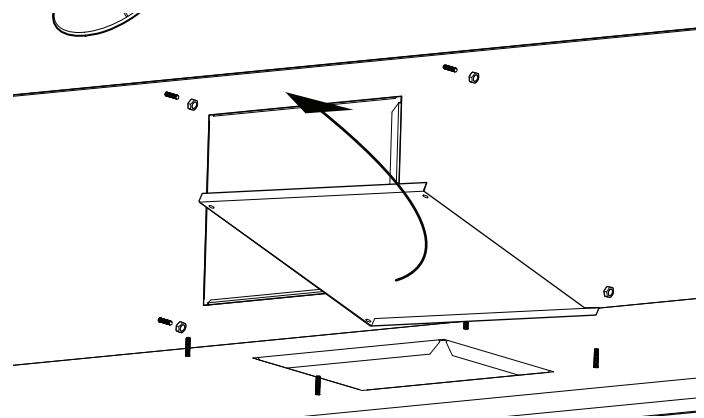


SALIDA HORIZONTAL

La transición que se proporciona con el campana se conecta al ducto redondo estándar de 10 pulgadas. La figura muestra la transición conectada para la descarga vertical.

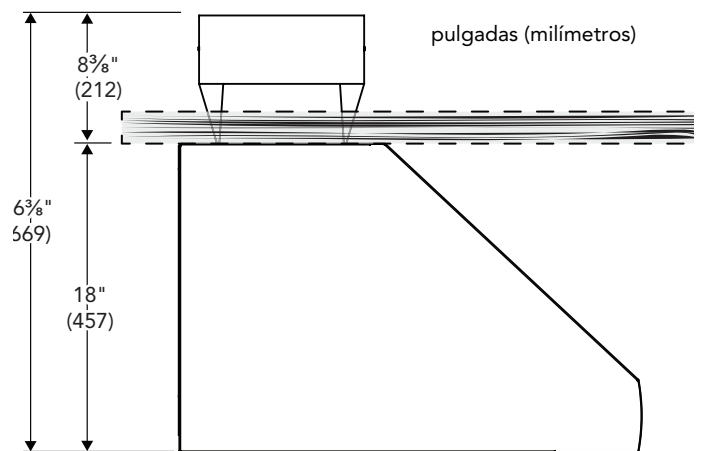


1. Para cambiar a la descarga horizontal, mover la cubierta de la descarga que se muestra en la figura, hacia la parte superior de la campana. La placa se sujeta en su lugar mediante 4 tuercas hexagonales de 3/8".



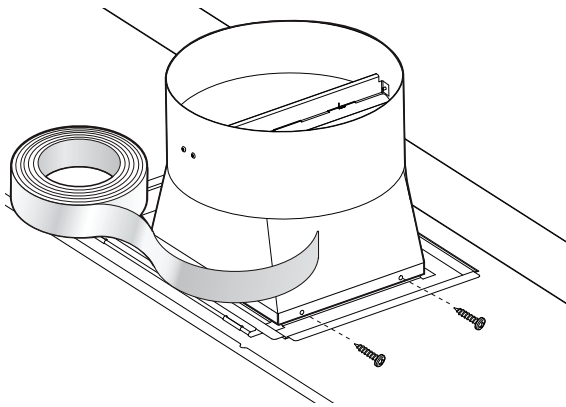
Ensamblaje del racor

El racor proporcionado se instala en la parte superior o trasera de la campana, según la orientación de la salida.



Se requiere una altura libre mínima de 8-3/8 pulg. (190 mm) encima de la campana para instalar el racor. Vea la "Factores a tener en cuenta para la instalación" para conocer las dimensiones generales de la campana.

2. Alinee los agujeros de montaje del racor con los agujeros de montaje de la brida de 1/2 pulg. (13mm) situada en la parte superior o trasera de la campana, según la orientación de la salida.
3. Fije el racor a la campana con los dos tornillos para chapa de 1 pulg. (25,4 mm) proporcionados con la campana.
4. Selle la junta entre el racor y la campana con cinta de aluminio (y NO con cinta para conductos). Asegúrese de que la conexión está parcialmente sellada.



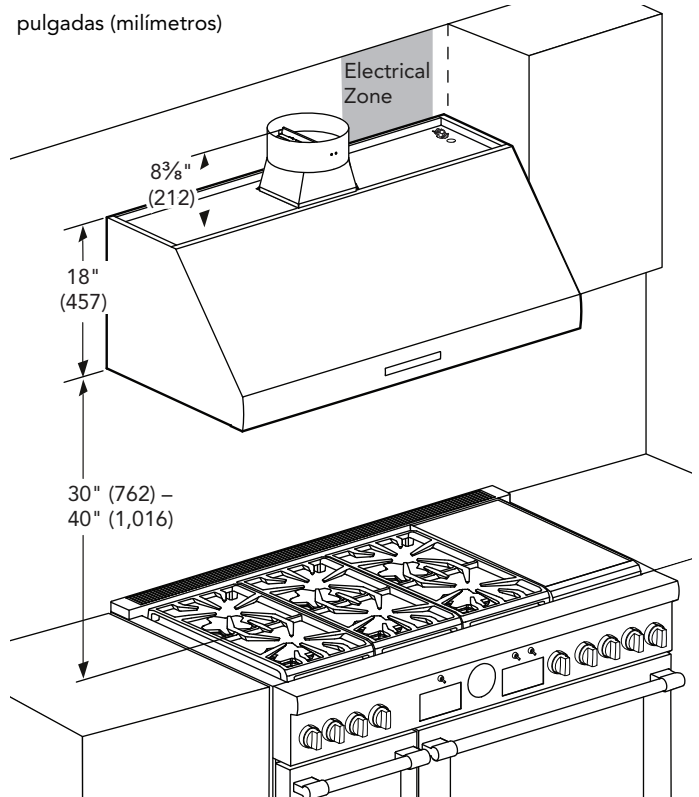
5. Quita el trozo de cinta que sujeta el registro en posición cerrada.

Instalación mural

⚠ PRECAUCIÓN

Antes de proceder a la instalación del aparato, corte la alimentación eléctrica en el panel y bloquee el dispositivo de desconexión para evitar que se vuelva a encender la alimentación eléctrica por error.

Especificaciones acerca de la instalación



*Siga las recomendaciones del fabricante del aparato.

La figura ilustra una instalación típica de la campana con una cubierta de conducto. Se usan cubiertas de conducto opcionales de 6" o 20" – 54" chimenea telescópica para llenar el espacio libre entre la campana y el techo (vendidas por separado).

La altura de instalación varía entre un mínimo de 30 pulg. (762 mm) y un máximo de 40 pulg. (1016 mm). Sin embargo, hace falta respetar las instrucciones de instalación del fabricante del aparato de cocción en cuanto a la altura adecuada de la campana.

AVISO: El calor puede dañar la campana si varios quemadores de una superficie de cocción o de una estufa de la serie Professional® de Thermador están funcionando y se han instalado altos debajo de una campana instalada a la altura libre mínima.

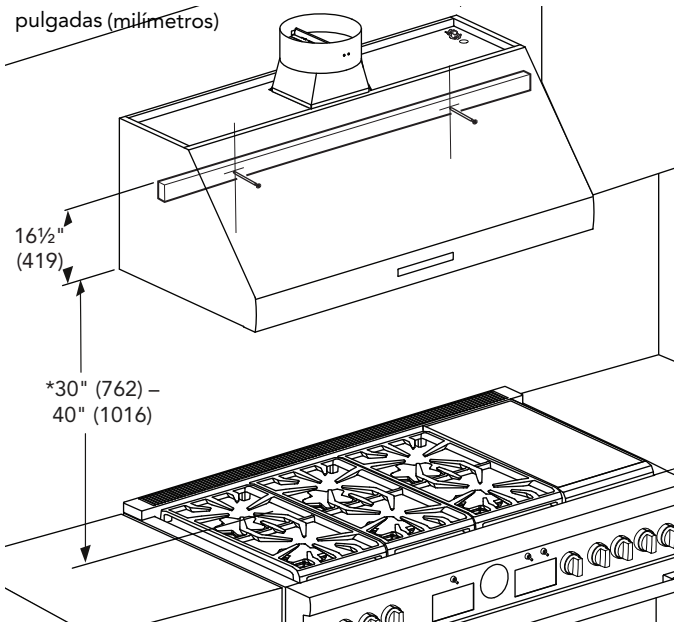
Preparación de la pared trasera

NOTA: Los elementos de fijación proporcionados sirven para instalar el aparato fijándolo a travesaños de madera de un tamaño estándar. Para los otros tipos de instalación, el instalador debe proporcionar los elementos de fijación.

IMPORTANTE: La campana debe estar centrada sobre la placa de cocción para un resultado óptimo.

Instalación del soporte de madera

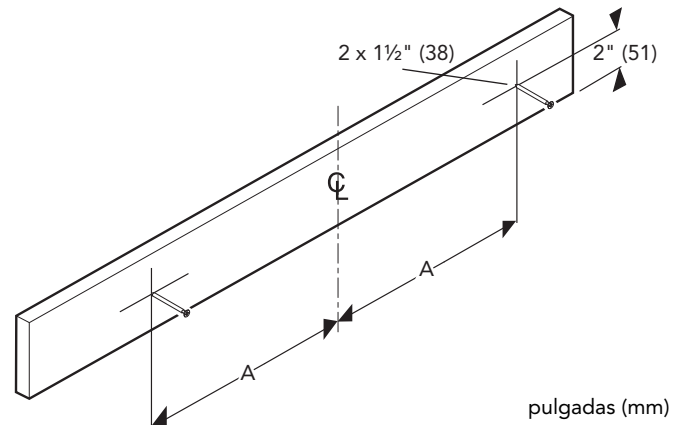
1. Corte de la alimentación en el panel. Bloquee el dispositivo de desconexión para evitar que se vuelva a encender la alimentación eléctrica por error.
2. Una vez determine la altura de instalación de la campana, dibuje una línea horizontal sobre la superficie de la estufa, a una altura que equivalga a 16½ pulg. (419 mm) sobre la altura de instalación recomendada. Esta línea corresponde a la ubicación de montaje del soporte de madera proporcionado con el aparato.



*Siga las recomendaciones del fabricante del aparato.

3. Localice la línea central de la campana. Dibuje una línea vertical a lo largo de esta línea central hasta la línea horizontal de la Etapa 2.
4. Se instala la campana a la pared usando el soporte de madera proporcionado con el aparato. Quite el soporte de madera situado en la parte superior de la campana quitando los dos tornillos de expedición. Dibuje la línea central del soporte de madera.

5. Localice un travesaño de pared a cada lado de la línea central de la campana. Usará estos travesaños para fijar el soporte de madera a la pared.
6. Alinee la parte superior del soporte de madera con la línea horizontal dibujada a la Etapa 2. Alinee las líneas centrales del soporte de madera y de la superficie de la estufa.
7. Haga un agujero guía de 3/16 pulg. (3 mm) a 3 pulg. (76 mm) de profundidad a través del soporte de madera, de la pared y del travesaño.
8. Use dos o tres tornillos de 3 pulg. (76 mm), según el modelo, para fijar el soporte a la pared, como se muestra en la figura. Para sujetar campanas más anchas, use tres travesaños. Taladre la madera para que las cabezas de los tornillos no interfieran con la campana.
9. Sobre el soporte de madera, dibuje los lugares que se usarán para colgar la campana.



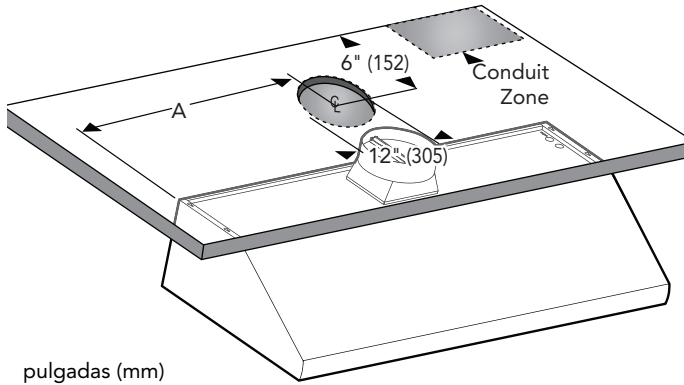
Tamaño Campana	A
30" (76 cm)	13" (33 cm)
36" (91 cm)	16" (41 cm)
42" (107 cm)	19" (48 cm)
48" (122 cm)	22" (56 cm)
54" (137 cm)	25" (64 cm)
60" (152 cm)	28" (71 cm)

10. Haga un agujero guía de 3/16 pulg. (4,8 mm) a través del soporte de madera y de la pared. Esos tornillos de 5/8 pulg. (16 mm) no tienen que entrar en los travesaños.
11. Use dos tornillos de 5/8 pulg. (16 mm) para fijar el soporte de madera, dejando sobresalir ¼ pulg. (6 mm) de cada tornillo para colgar la campana.

Dirección de descarga

Salida vertical

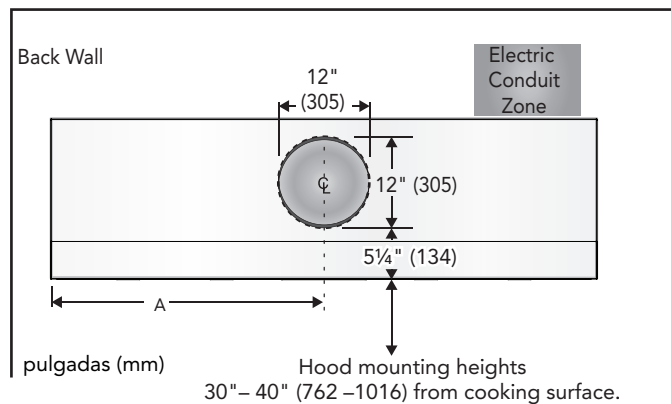
Para una salida vertical, se debe hacer una abertura semejante a la ilustrada en la figura en la techo para dejar espacio al racor. Se debe hacer una abertura en el techo, por la que pasarán un conducto de 10 pulg. (254 mm) y un tubo protector de ½ pulg (13 mm) con los cables que alimentan el aparato.



Tamaño Campana	A
30" (76 cm)	15" (38 cm)
36" (91 cm)	18" (46 cm)
42" (107 cm)	21" (53 cm)
48" (122 cm)	24" (61 cm)
54" (137 cm)	27" (69 cm)
60" (152 cm)	30" (76 cm)

Salida horizontal

Para una salida horizontal, se debe hacer una abertura semejante a la ilustrada en la figura en la pared para dejar espacio al racor. Se debe hacer una abertura en el techo, por la que pasarán un conducto de 10 pulg. (254 mm) y un tubo protector de ½ pulg (13 mm) con los cables que alimentan el aparato.

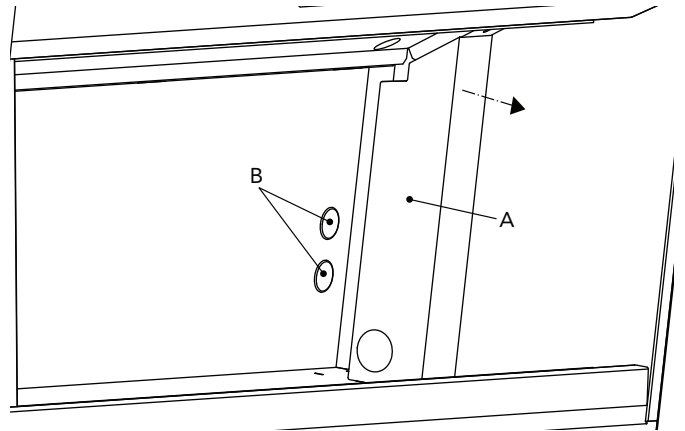


Tamaño Campana	A
30" (76 cm)	15" (38 cm)

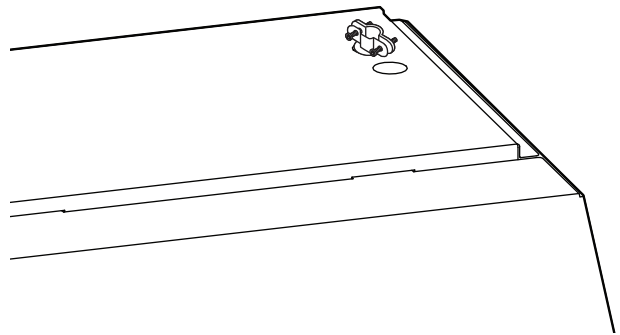
36" (91 cm)	18" (46 cm)
42" (107 cm)	21" (53 cm)
48" (122 cm)	24" (61 cm)
54" (137 cm)	27" (69 cm)
60" (152 cm)	30" (76 cm)

Preparación para el encaminamiento del cable

12. Quite la tapa de la caja de conexiones, la que cubre los cables (Figura, "A").
13. Quite las entradas circulares hundidas (Figura, "B").



14. Instale un prensa-cables (no incluido) en una de las entradas hundibles circulares.



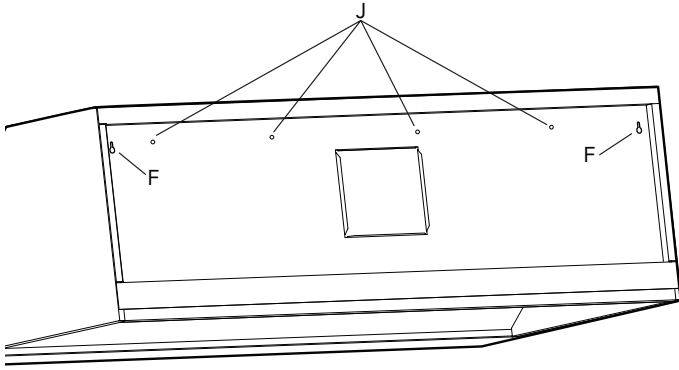
Montaje de la campana en la placa de fijación de madera

15. Antes de colgar la campana, instale el racor, como se muestra en la "Ensamblaje del racor". Fije el racor con dos tornillos para chapas de 3/8 pulg. (proporcionados) y cinta de aluminio, conforme a los códigos vigentes.

NOTA: Los tornillos no deben dificultar el funcionamiento del registro.

16. Con otra persona, levante la campana y déjela descansar en los tornillos insertados en el soporte de madera. Use las muescas en forma de ojo de cerradura identificadas por la letra "F" en la figura.

Asegúrese de que el soporte de madera quepa en la parte hundida de la parte trasera de la campana.



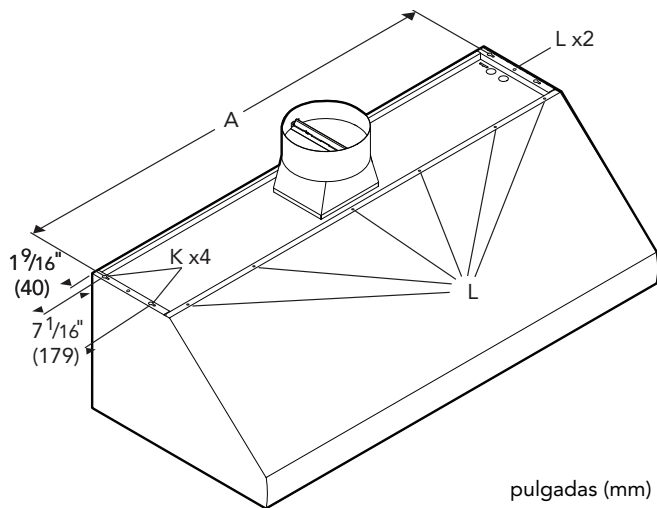
17. Apriete los tornillos en las muescas en forma de ojo cerradura. Asegúrese de que la campana esté nivelada y ajústela si procede.
18. A partir del interior de la campana, fije tornillos de 5/8 pulg. (16 mm) en el soporte de madera, a través de los agujeros identificados por la letra "J".
19. Instale las piezas de conducto adicionales.

Instalación bajo un armario

Se puede instalar la campana bajo un armario, la cual colgará de su parte superior.

Nota: El armario debe estar estructuralmente fijado a los travesaños de la pared para sostener el peso de la campana.

La figura muestra los cuatro agujeros de tornillo, identificados por la letra "K", que se usan para fijar la campana a la base del armario. Asegúrese de quitar las dos entradas que puedan hundirse.



Tamaño Campana	A
30" (76 cm)	29" (74 cm)
36" (91 cm)	35" (89 cm)
42" (107 cm)	41" (104 cm)

48" (122 cm)	47" (119 cm)
54" (137 cm)	53" (135 cm)
60" (152 cm)	59" (150 cm)

1. En la base del armario, haga agujeros guías de 1/8 pulg. (3 mm), como indican las dimensiones A de la figura.
2. Inserte cuatro tornillos de 1 pulg. (25,4 mm) proporcionado con la campana, dejando sobresalir ¼ pulg. (6 mm) para colgar la campana.
3. Si la campana se instala con una salida vertical, consulte la "SALIDA VERTICAL" para hacer las aberturas donde pasarán el racor y el tubo protector.
4. Para una salida horizontal, use la "SALIDA HORIZONTAL" para saber la forma de la abertura necesaria para que pase el racor.
5. Cuelgue la campana de los tornillos y fíjela sólidamente en su sitio.
6. Desde el interior de la campana, inserte un tornillo de 5/8 pulg. (16 mm) a través de los agujeros a cada lado de la campana, y cuatro tornillos a lo largo de la parte frontal, en la base del armario. Vea los agujeros identificados por la letra "L".

Instalación del motor del ventilador

⚠ PRECAUCIÓN

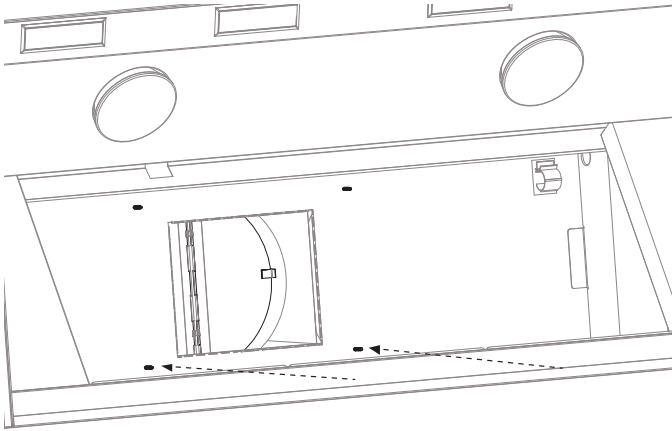
Para reducir los riesgos de incendio y descarga eléctrica, instale esta campana de cocina únicamente con los ventiladores incluidos en la «Guía de Planificación de Ventilación».

NOTA: La garantía o la posibilidad de devolver o cambiar el producto se cancela si se corta el enchufe del ventilador.

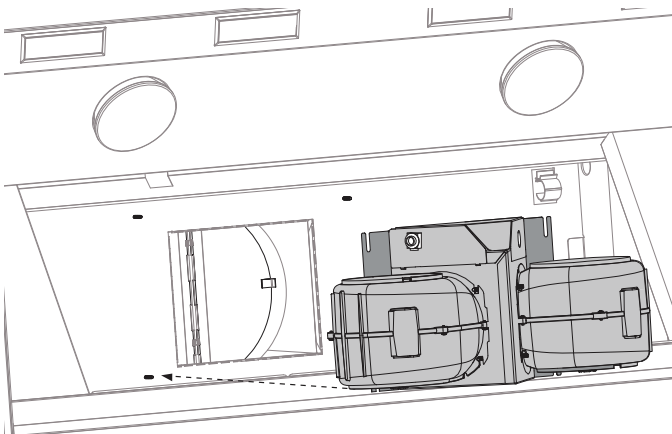
Instalación de un ventilador integrado

Los modelos de ventiladores integrados se integran a la campana durante la instalación. Para tener instrucciones de instalación completas, consulte las instrucciones proporcionadas con el ventilador.

1. Enroscar una (x1) tuerca hasta la mitad de cada uno de los dos tornillos de soldadura indicados.



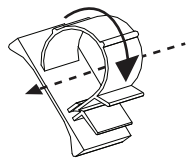
2. Deslizar la placa de fijación del ventilador detrás de las tuercas de los dos tornillos de soldadura.



3. Instalar dos (x2) tuercas (incluidas con la campana extractora) en los tornillos de soldadura superiores y apretar.
4. Apretar las dos (x2) tuercas del paso 1 para fijar por completo el ventilador de la campana extractora.
5. Conectar el conector de enchufe del ventilador al conector presente en el interior de la campana.



6. Pasar el arnés del ventilador a través del clip autobloqueante.

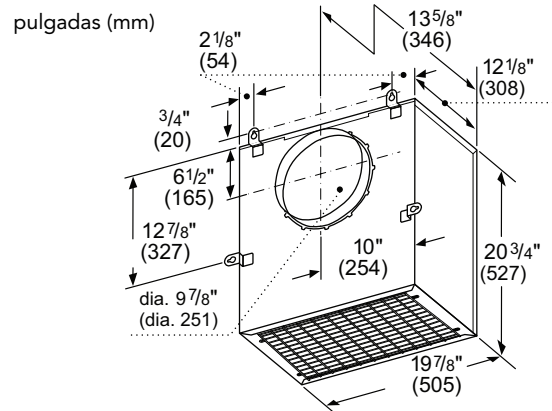


Cableado de la campana con un ventilador a distancia o un ventilador en línea

Para obtener instrucciones de instalación completas, consultar las instrucciones suministradas con la unidad del ventilador.

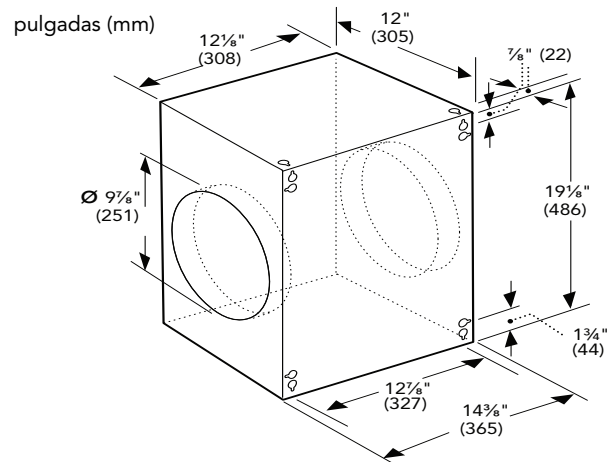
Ventilador a Distancia

Según la preferencia y la ubicación del conducto, estos ventiladores se pueden montar sobre el techo o a una pared exterior de la casa. Puede ser más atrayente instalarlo fuera para reducir el ruido en la cocina.



Ventilador en línea

Para minimizar el ruido en la cocina, estos ventiladores están montados a lo largo del conducto, en cualquier sitio entre el techo y la pared exterior. Si el conducto es fácil de acceder (en el ático, por ejemplo), esta opción puede ser atrayente.



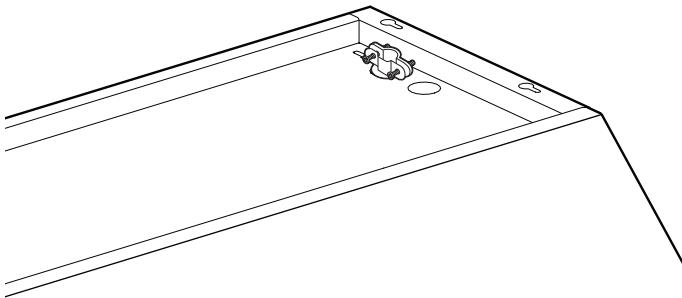
Conexión de cables del motor del módulo de ventilador o ventilador en línea

1. Quite la tapa de la caja de conexiones, la que cubre los cables.
2. Quite las entradas circulares hundidas.
3. Conecte el enchufe de conexión en el conector situado en el interior de la campana.
4. Pasar el arnés del ventilador a través del clip autobloqueante.

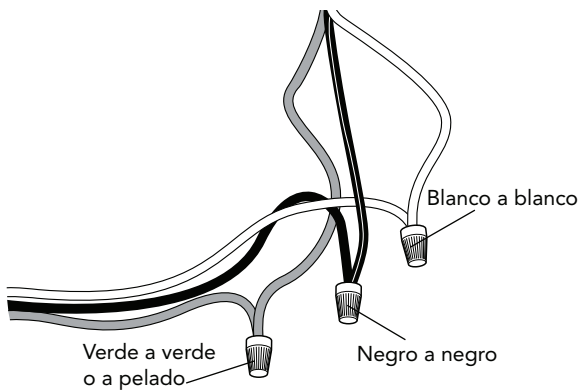
Conexión de los cables

Cableado

1. Pase un cable de alimentación de 120 VCA, 15A, del panel de servicio hasta uno de los agujeros de la placa superior.



2. Conecte el cable negro al cable negro de la alimentación eléctrica, el cable blanco al cable blanco de la alimentación eléctrica y el cable verde al cable verde o pelado.

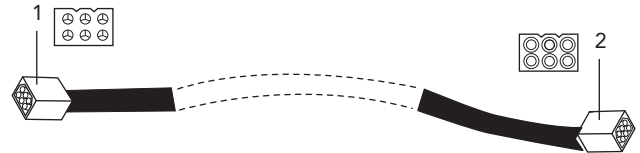


3. Coloque todos los cables conectados dentro del pasacables de la caja de conexiones. Reinstale la placa de protección. Asegúrese de que los cables estén bien conectados y que ningún cable esté apretado.

Cable de conexión del ventilador EXTNCB25W (opcional)

Conexión del cable de extensión a la campana

1. Pasar el arnés del ventilador interno de la campana a través de la protección contra jalones de cables.
2. Conectar el cable de extensión de 25 pies al arnés del ventilador fuera de la campana.



- 1 Se conecta a la campana
- 2 Se conecta a un módulo de ventilador o ventilador en línea

NOTA: La garantía del aparato se anula si se corta el conector.

El cable alargador del ventilador es compatible con los ventiladores en línea o a distancia siguientes:

Ventilador	Número de modelo
Ventilador a distancia	VTR2FZ
Ventilador a distancia	VTR1FZ
Ventilador en línea	VTI1FZ
Ventilador en línea	VTI2FZ

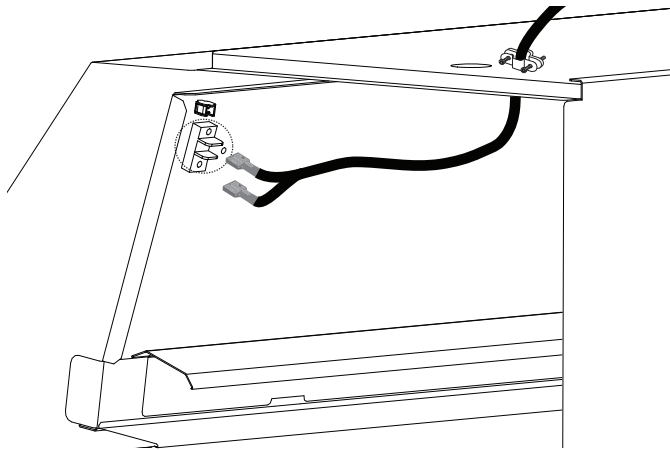
Interruptor de relé de regulador de tiro de aire de compensación (opcional)

Los códigos locales pueden requerir el uso de un regulador de contracorriente adicional y/o regulador de tiro de aire de compensación. Póngase en contacto con su profesional local de HVAC para conocer los requisitos específicos.

Esta campana extractora posee un interruptor de relé para conectar un regulador de aire de compensación (máx. 120 V). Las instalaciones variarán según la ubicación en el hogar donde se instale la unidad y se use el regulador. Usar la siguiente ilustración como guía para la instalación. Cumplir siempre con los requisitos del código local.

Conexión del interruptor del relé del regulador de tiro de aire de compensación

1. Acceso al cableado de la campana extractora.
2. Pasar el arnés del regulador de aire de compensación a través de la protección contra jalones hacia el bloque de terminales.
 - Las conexiones de retorno y en caliente del kit de aire de compensación pueden usar cualquier conexión de terminal. No hay requisito de polaridad para el bloque de terminales de dos pines.



3. Asegurar el cable de tierra con el tornillo de tierra verde T-20.

Instalación del mando a distancia (opcional)

Se aconseja instalar el cableado del mando a distancia una vez instalada la campana.

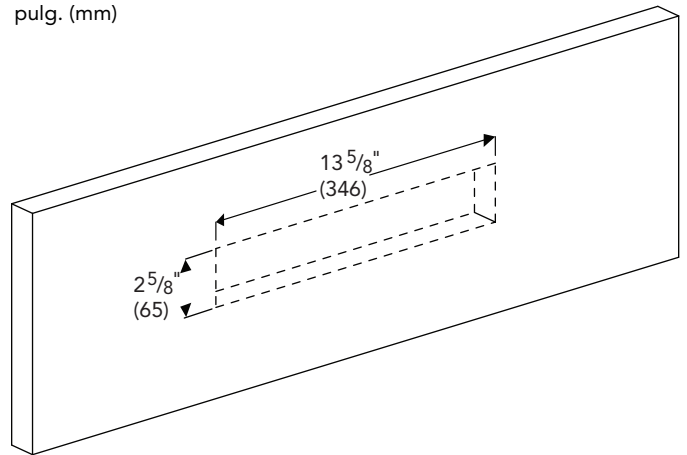
REMCPW piezas incluidas

- 1 – mando a distancia
- 1 – cable de extensión de 10 m

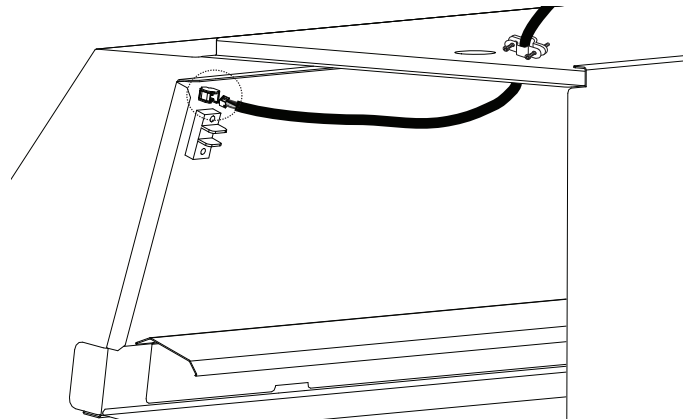
IMPORTANTE: Cortar un conector al aparato o al kit del cable de extensión anulará la garantía.

1. Preparación de la pared para la instalación, como se ilustra (vista frente a la pared).

pulg. (mm)

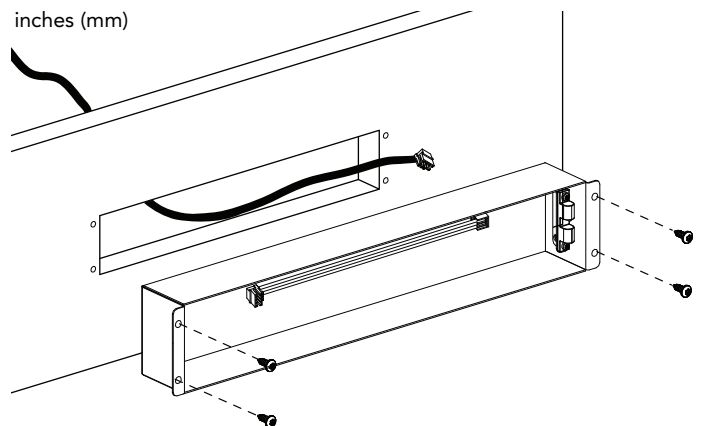


2. Acceso al cableado de la campana extractora. Pasar el arnés de extensión de 30 pies a través de la protección contra jalones al clip de montaje cuadrado, hasta que haga clic.

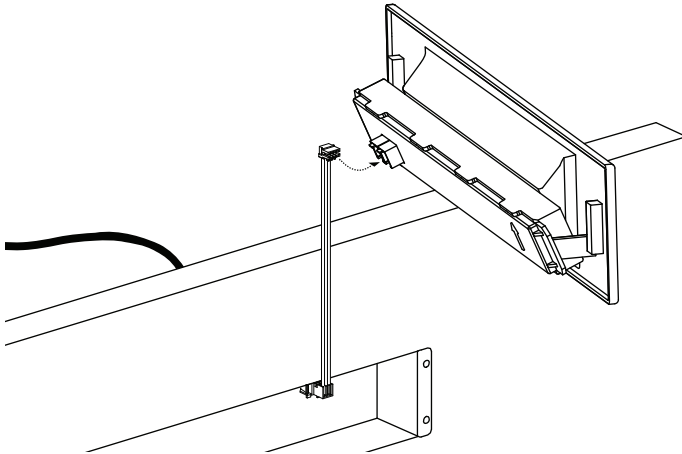


3. Pasar el arnés de extensión de 30 pies a través del agujero y conectar el arnés a la parte posterior de la placa de fijación del control remoto.
4. Presionar la placa de fijación dentro del agujero. Perforar un agujero roscado de 1/4" (6 mm) a través de los agujeros de la placa de fijación en la pared. Montar la placa de fijación a la pared, usando los cuatro (4) tornillos suministrados.

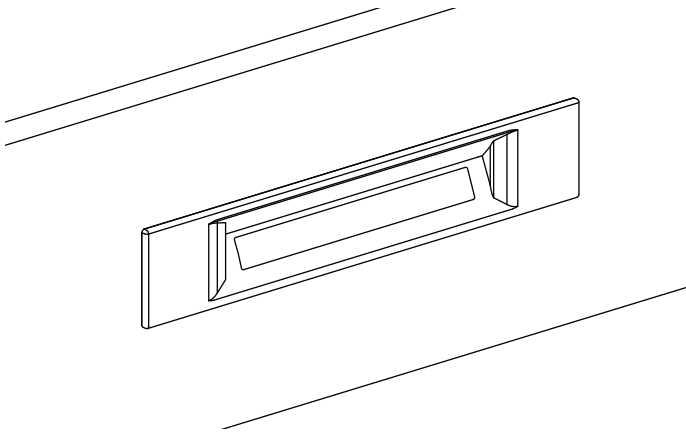
inches (mm)



5. Conectar el conector del arnés de cables dentro de la placa de fijación al terminal en la parte posterior del control remoto. Usar cualquiera de las terminales.

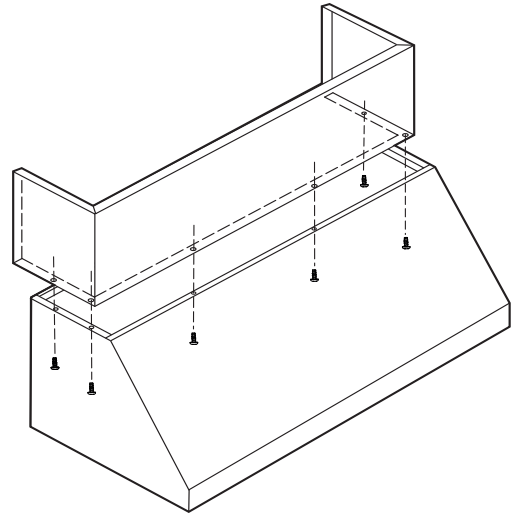


6. Ajustar el control remoto en la placa de fijación hasta que haga clic.



Instalación de la cubierta para el conducto (opcional)

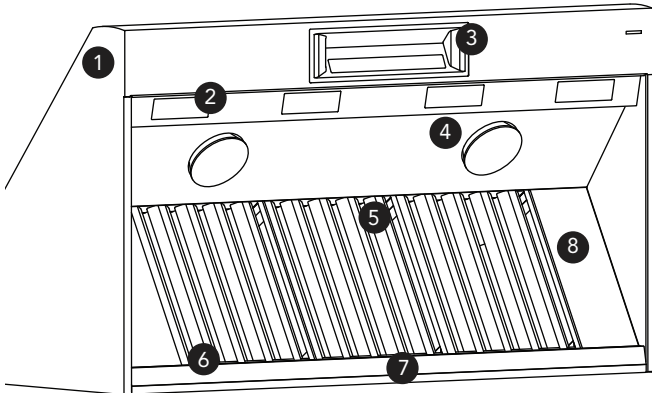
Para las instalaciones murales, se pueden usar cubiertas de conducto opcionales para llenar el espacio libre entre la campana y el techo. Se venden por separado cubiertas de una altura de 6 pulg. (152 mm) y 12 pulg. (305 mm).



1. Si se usan varias cubiertas de conducto, fije las piezas unas a otras con los tornillos para chapa proporcionados con las cubiertas de conducto.
2. Desde el interior de la campana, inserte los tornillos de 5/8 pulg. (16 mm) a través de los agujeros indicados a cada lado de la campana, de la parte frontal, en la base de la cubierta de conducto.

Instalar filtros, bandejas para la grasa y separadores

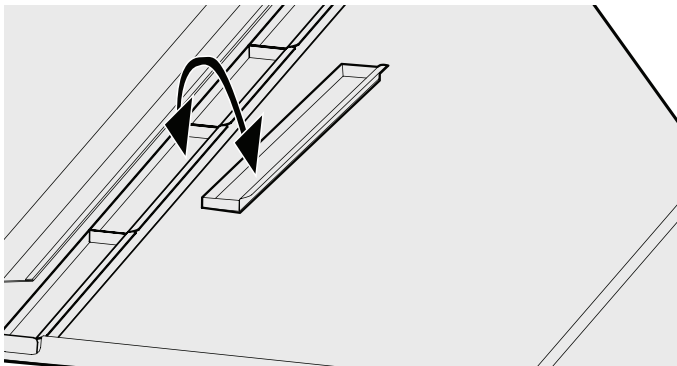
Nota: No utilice la superficie de la estufa cuando la campana no está montada.



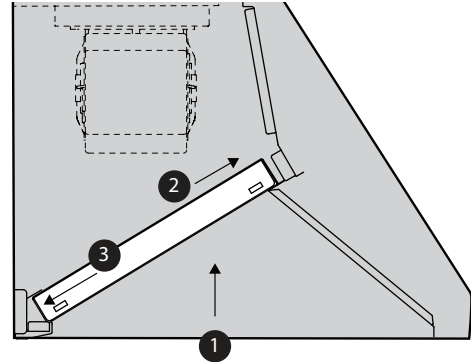
- | | |
|--|----------------------------|
| (1) Campana | (2) Iluminación LED |
| (3) Panel táctil | (4) Inflexiones de lámpara |
| (5) Filtros | (6) Bandeja de grasa |
| (7) Ranura de las bandejas para la grasa | (8) Filtro espaciadores |

Para instalar los filtros y las bandejas para la grasa:

1. Apagar el electrodoméstico.
2. Quite todo el plástico de las piezas de la campana.
3. Inserte las piezas en el orden siguiente:
 - 1) Bandejas para la grasa – Empuje hacia arriba y por encima del borde trasero.



- 2) Filtros – Deslice el filtro dentro del borde frontal. Empuje el filtro hacia arriba, atrás, luego deslícelo por el borde trasero.

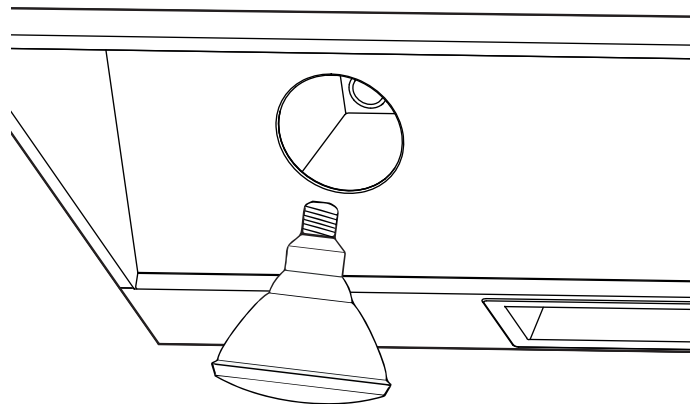


- 3) Panel Lateral – Inserte los panel lateral de la misma forma que los filtros.
4. Siga las indicaciones de arriba al revés para quitar la bandeja para la grasa, los filtros y los paneles laterales.

Reemplazo de las lámparas infrarrojas

- Gire la bombilla en el sentido de las agujas del reloj para instalarla.
- Reemplace la bombilla por una bombilla PAR-38 175W o PAR-40 250W.

Vea el manual de uso y mantenimiento para obtener más información.



Servicio y lista de chequeo del instalador

Lista de chequeo para el instalador

Cheque final

Se respetan los espacios libres mencionados respecto a la superficie de los armarios.

El aparato está nivelado.

No queda material de embalaje en el aparato.

Toma de tierra adecuada.

El propietario sabe donde está el disyuntor.

Escriba el número de modelo y el número de serie de la placa de señalización en el Manual de uso y mantenimiento. Deje el Manual de uso y mantenimiento y el Manual de instalación al propietario del aparato.

Entregar el folleto de instrucciones de Home Connect™ al propietario del electrodoméstico. Para utilizar todo el potencial de las funciones del electrodoméstico, el propietario debe descargar la aplicación Home Connect™ en su dispositivo inteligente y emparejar el electrodoméstico con el dispositivo Wi-Fi doméstico.

Limpieza y protección de las superficies exteriores

- Se pueden limpiar las superficies de acero inoxidable con un trapo húmedo, jabonoso, y enjuagarlas con agua limpia antes de secar con un trapo suave. Así se evitará la formación de marcas de agua. Cualquier detergente suave para vidrio quitará huellas dactilares y manchas.
- Para decoloraciones o suciedades persistentes, consulte el manual de uso y cuidado.
- **NO** deje que la suciedad permanezca largos períodos de tiempo en las superficies.
- **NO** use fibra metálica normal o cepillos metálicos. Se pueden pegar trozos pequeños de metal a la superficie y oxidarla.
- **NO** permita que tengan contacto prolongado con el acero inoxidable soluciones salinas, desinfectantes, blanqueadores o compuestos de detergentes. Muchos de estos compuestos contienen químicos dañinos. Enjuague con agua después de cada exposición y seque con un trapo limpio.

Antes de solicitar servicio

Resolución de problemas

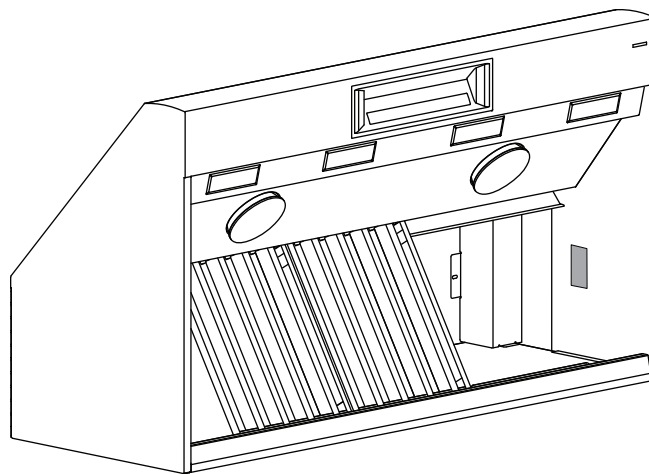
Consulte la sección de problemas y soluciones del manual de uso y mantenimiento. Vea la garantía del manual de uso y mantenimiento. Tenga a mano la información de la placa de señalización de su aparato cuando llame a atención al cliente.

Consulte la información de contacto de la contraportada del manual para ponerse en contacto con un representante de atención al cliente. Tenga a mano la información de la placa de señalización de su aparato cuando llame atención al cliente.

Placa de señalización del producto

El número de modelo y el número de serie están escritos en la placa técnica. Refiérase a la placa técnica cuando solicite servicio.

La placa se encuentra en el armazón, detrás de los filtros. Quite el filtro para consultarla.



Support

Thank you for being a Thermador customer!

USA:

Thermador is dedicated to supporting you and your appliance so you have many years of creative cooking. Please don't hesitate to contact us if you have any questions. We're happy to help you with cleaning and care instructions, cooking tips, accessories, troubleshooting, scheduling service visits, and more.

1-800-735-4328

www.thermador.com/us/support/customer-care

Canada:

1-800-735-4328

www.thermador.ca/en/support/customer-care

Accessories and parts

USA:

Filters, Thermador cleaners, teppanyaki pans, griddles, replacement parts, and more can be purchased in our online accessories store.

www.thermador.com/us/accessories

Canada:

Visit the webpage below to learn how to purchase filters, cleaners, accessories and parts.

www.thermador.ca/en/support/filters-cleaners-accessories

Soutien

Merci d'être un client Thermador!

É.-U. :

Thermador s'engage à offrir tout le tout le support dont vous et votre appareil avez besoin afin que vous puissiez en profiter pleinement. N'hésitez pas à communiquer avec nous pour toute question. Nous serons heureux de vous aider avec des directives concernant le nettoyage et les soins, des conseils de cuisson, des accessoires, le dépannage et plus encore.

1-800-735-4328

www.thermador.com/us/support/customer-care

Canada :

1-800-735-4328

www.thermador.ca/fr/support/customer-care

Accessoires et pièces

É.-U. :

Filtres, nettoyants, accessoires et pièces :

www.thermador.com/us/accessories

Canada :

Les filtres, pièces et accessoires peuvent être achetés auprès de nos distributeurs.

www.thermador.ca/fr/soutien/filtres-nettoyants-accessoires

Soporte

¡Gracias por ser un cliente Thermador!

EEUU:

Thermador se dedica a apoyarlo a usted y a su aparato para que tenga muchos años para cocinar creativamente. No dude en contactarnos si tuviera preguntas. Nos encantará ayudarlo con las instrucciones de limpieza y cuidado, consejos para cocinar, accesorios, solución de problemas y más.

1-800-735-4328

www.thermador.com/us/support/customer-care

Canadá:

1-800-735-4328

www.thermador.ca/en/support/filters-cleaners-accessories

Accesorios y piezas

EEUU:

Los filtros, limpiadores Thermador, sartenes de teppanyaki, planchas, piezas de refacción y más se pueden comprar en nuestra tienda de accesorios en línea.

www.thermador.com/us/accessories

Canadá:

Los filtros, piezas y accesorios se pueden comprar a través de nuestros distribuidores.

www.thermador.ca/en/support/filters-cleaners-accessories



1901 MAIN STREET, SUITE 600, IRVINE, CA 92614 // 800-735-4328 // WWW.THERMADOR.COM

© 2022 BSH Home Appliances Corporation
8001255195 — REV B