

# DWHD870WFP

## STAR SAPPHIRE® 8-PROGRAM DISHWASHER

PROFESSIONAL SERIES HANDLE



Also Available In:

DWHD870WFM – Flat Stainless Steel Panel with Masterpiece® Series Handle

DWHD870WPR – Custom Panel

### FEATURES & BENEFITS

- ★ - StarDry™ — No one dries better. Star Dry with Zeolite: the ultra-powerful program that dries dishes better so place settings, glassware, and even sturdy plastics and containers with hard-to-reach crevices are ready for use immediately after each cycle
- ★ - Star Speed® is a full wash cycle in just 20 minutes — industry's fastest hot water wash
- ★ - Star Glow light illuminates your dishwasher with 3 levels of Sapphire Blue and introducing 3 levels of sparkling white light
- ★ - Push to Open dishwasher opens with either a push or pull, so loading is easier, even when your hands are full
- ★ - Entertainer's Drawer (3rd Rack) provides the ultimate flexibility in cleaning your culinary kitchen tools
  - 18 Wine Glass Capacity — No need to clean your glassware in two cycles; wash them all at once so you can get back to your guests
  - Thermador Connected Experience by Home Connect brings exclusive dish features that keep you connected. Always.

### ACCESSORIES (OPTIONAL)

Dishwasher Supply and Drainage Hose Extension 76 3/4"	SGZ1010UC
Dishwasher Accessory Kit	SMZ5000
Fine Silverware Carafe	SMZ5002UC
Junction Box	SMZPCJB1UC



Accessory Kit includes Extra-Tall-Item Sprinkler, Vase / Bottle Holder, 3 Plastic Item Clips and Small Item Basket



Fine Silverware Carafe

### GENERAL PROPERTIES

Number Of Wash Cycles	8
Number Of Options	7
dBA	44
Third Rack	Entertainer's Drawer
Rack Adjustability	Rackmatic 3-Stage
Tub Material	Stainless Steel
Control Type	Premium Touch Control
Concealed Heating Element	Yes
Leak Protection System	24/7 AquaStop®
Water Softener	Yes
Five-Level Wash	Yes
Childlock	No
Home Connect (Wi-Fi Enabled)	Yes

### EFFICIENCY

Water Usage Per Cycle (g)	3.5 g
Energy Efficiency Class	Tier 1
ENERGY STAR® Qualified	Yes
Total Annual Energy Consumption (kWh)	269 kWh
Total Annual Water Consumption (g)	623.5 g

### CAPACITY

Number Of Place Settings	16
--------------------------	----

### TECHNICAL DETAILS

Watts (W)	1440 W
Current (A)	12 A
Volts (V)	120 V
Frequency (Hz)	60 Hz
Power Cord Length (in)	67"
Power Cord Install Length from Corner of Unit (in)	45"
Minimum Water Pressure (lb/sin)	14
Max. Temperature for Water Intake	140° F
Length Inlet Hose (in)	N/A
Length Outlet Hose (in)	79"

### DIMENSIONS & WEIGHT

Overall Appliance Dimensions (HxWxD) (in)	33 7/8" x 23 9/16" x 23 3/4"
Required Cutout Size (HxWxD) (in)	33 7/8" Min. x 23 5/8" Min. x 24"
Adjustable Feet	Yes
Net Weight (lbs)	109 lbs

# DWHD870WFP

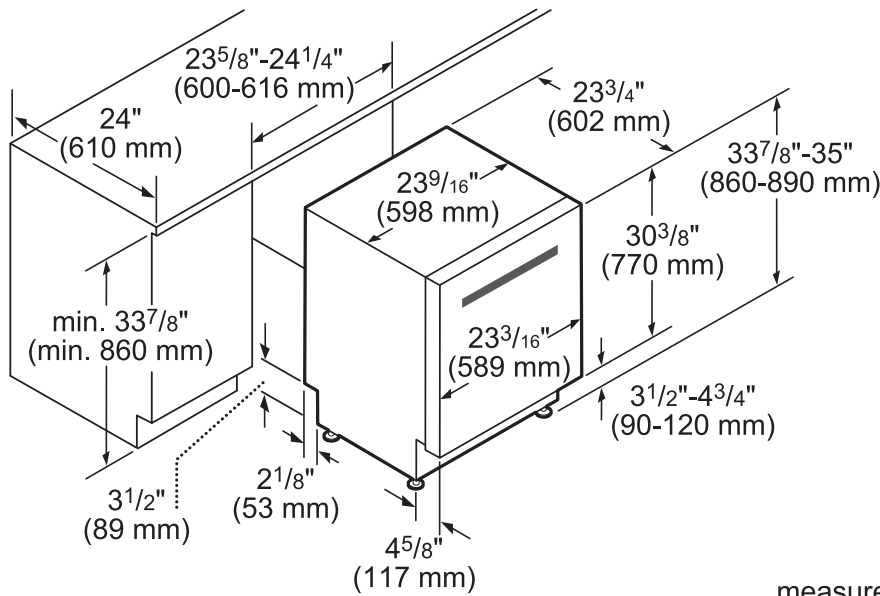
## STAR SAPPHIRE® 8-PROGRAM DISHWASHER

PROFESSIONAL SERIES HANDLE



WARRANTY	
Limited Warranty, Entire Appliance, Parts and Labor	2 Year
Limited Warranty for Microprocessor or Printed Circuit Board; Parts Only	3rd to 5th Year
Limited Warranty for Racks (Does Not Include Rack Components); Parts Only	3rd to 5th Year
Limited Warranty for Rust-through On Inner Tub Liner; Parts Only	Lifetime

### DISHWASHER & CUTOUT DIMENSIONS



measurements in inches and mm

These warranties give you specific legal rights and you may have other rights that vary from state to state. Full warranty and limited warranty from date of installation. For complete warranty details, refer to your Use & Care manual, or ask your dealer.

Specifications are for planning purposes only. Refer to installation instructions and consult your countertop supplier prior to making counter opening. Consult with a heating and ventilation engineer for your specific ventilation requirements. For the most detailed information, refer to installation instructions accompanying product or write to Thermador indicating the model number. Specifications are correct at time of printing. Thermador reserves the right to change product specifications or design without notice. Some models are certified for use in Canada. Thermador is not responsible for products that are transported from the U.S. for use in Canada.