

INSTALLATION INSTRUCTIONS

Model #8265-L 8266-L

READ AND SAVE THESE INSTRUCTIONS

WARNING! SHUT POWER OFF AT FUSE OR CIRCUIT BREAKER.

AVERTISSEMENT! COUPER LE COURANT AU NIVEAU DES FUSIBLES OU DU DISJONCTEUR.

1. Shut off power at the circuit breaker and remove the old fixture including the mounting hardware.
2. Carefully unpack your new fixture and lay out all the parts in a clear area. Take care not to misplace any small parts necessary for installation.
3. Pull the black, white and ground wires out of post (A).
4. While supporting the fixture, connect electrical wires. If your post has a ground wire (green or bare copper), connect the fixture ground wire to it. If not, consult your electrician for proper grounding. After wires are connected, tuck them carefully inside the post cup (B).
5. Align the lantern with post (A) and secure with screws (C). (Fig.1&2)
6. **Bulb (L) information (1 x AC LED 11W included.) (DO NOT EXCEED THE MAXIMUM WATTAGE RATING) (NE PAS DEPASSER LA PUISSANCE NOMINALE MAXIMALE!)**

Replacing LED module (Fig.3)

The LED module can be replaced by a qualified electrician without cutting of wire and without damage to any decorative element to which the fixture is attached. See installation steps for more details (Fig.3).

- a. Shut off power, unscrew finial (D), remove washer (E) and top covers (F&G). Remove aluminum panel (J) with support (I) by loosening hex nuts (H) from the fixture cage.
- b. Unplug the male and female jacket (P&Q), loosening screws (N) and carefully remove LED module (L) for re-lamping. Note: The LED module should be provided by a specified supplier.
- c. For better heat dissipation the LED module (L) should be installed with the heat transfer material (K) when re-lamping.

Your installation is now complete. Return power to the outlet box and test the fixture.

Note: Illustration (Fig.1) on this manual is for installation purposes only. It may or may not be identical to the fixture purchased.

Fig.1

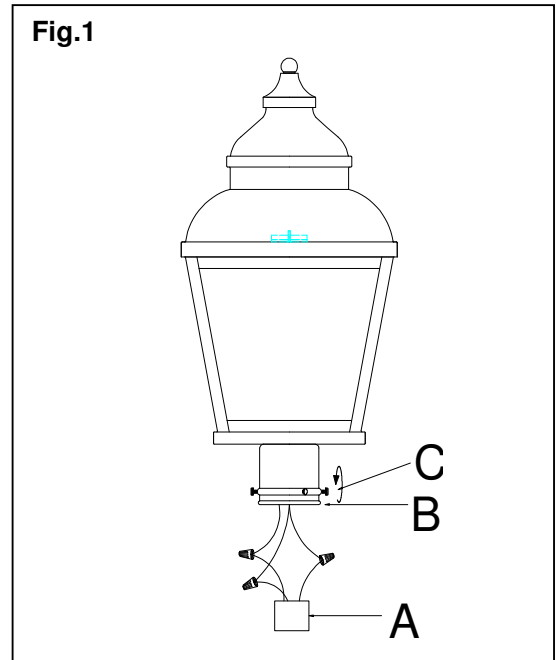


Fig.2

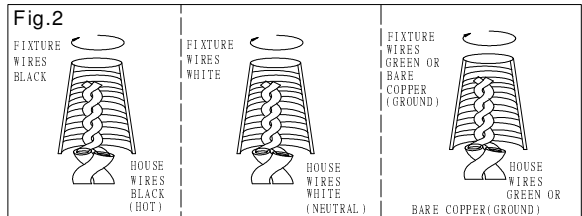


Fig. 3

