

INSTALLATION INSTRUCTIONS

For Model 72234-143C (Rev. 06/10/2013)

READ AND SAVE THESE INSTRUCTIONS

WARNING! SHUT POWER OFF AT FUSE OR CIRCUIT BREAKER.

AVERTISSEMENT! COUPER LE COURANT AU NIVEAU DES FUSIBLES OU DU DISJONCTEUR.

PREPARING FOR INSTALLATION (Fig. 2)

1. Shut off the power at the fuse box or circuit breaker box and remove the old fixture from the ceiling, including the mounting hardware.
2. Carefully unpack your new fixture and lay out all the parts in a clear area. Take care not to lose any small parts necessary for installation.
3. Thread the nipple into the ceiling loop until snug.
4. Thread the other end of the nipple into the crossbar until snug. Note: The length of the nipple into the crossbar may be adjusted if necessary.
5. Use the lock washer and hex nut to secure the nipple into the crossbar.
6. Take this crossbar assembly and mount it to ceiling outlet box with mounting screws (Size: #8-32N*L0.5"). The side of crossbar marked with "GND" must face out.
7. Determine the desired hanging height and use a pair of proper chain pliers to remove and discard the excess chain.
8. Open one end of chain and attach it to the fixture ceiling loop and close the chain. Slip the canopy and lock collar over the chain and allow them to rest on the fixture body. Open the other end of the chain and attach it to fixture loop and close the chain.
9. Carefully lace the fixture's wires through the chain. Feed the fixture wires through the loop and nipple assembly.

CONNECT THE WIRES (Fig. 3)

10. Connect the electrical wires as shown in Fig. 3, making sure that all wire connectors are secured. If your outlet box has a ground wire (green or bare copper), connect the fixture's ground wire to it. Otherwise, connect the fixture's ground wire directly to the crossbar using the green screw provided.
11. Tuck the wire connections neatly into the ceiling outlet box and then raise the canopy to the ceiling. Thread the lock collar to the ceiling loop to secure the canopy against the ceiling.

COMPLETING THE INSTALLATION (Fig. 1)

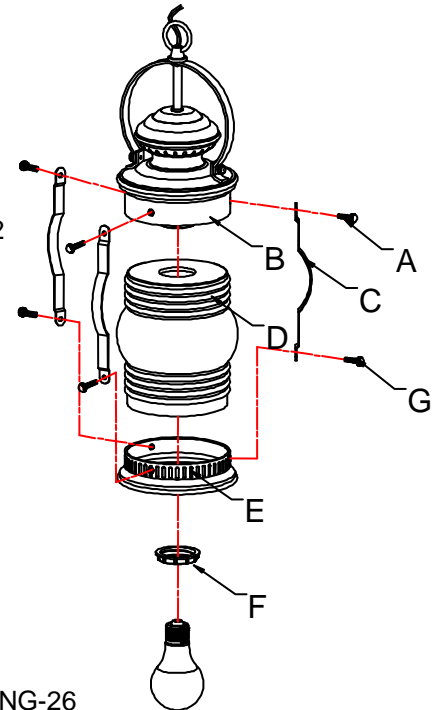
12. Align glass shade (D) over the socket of the fixture body (B) and secure with socket ring (F).
13. Align decorative straps (C) to fixture body (B) and secure with ball screws (A).
14. Align bottom cover (E) to the glass shade (D) and decorative straps (C) and secure with ball screws (G).
15. Install 1*100W A19 light bulb (not included) in accordance with the fixture's specification. **(DO NOT EXCEED THE MAXIMUM WATTAGE RATING!) (NE PAS DEPASSER LA PUISSANCE NOMINALE MAXIMALE!).**

Your installation is now complete. Return power to the junction box and test the fixture.

Note: Illustration (Fig. 1) on this manual is for installation purposes only. It may or may not be identical to the fixture purchased.

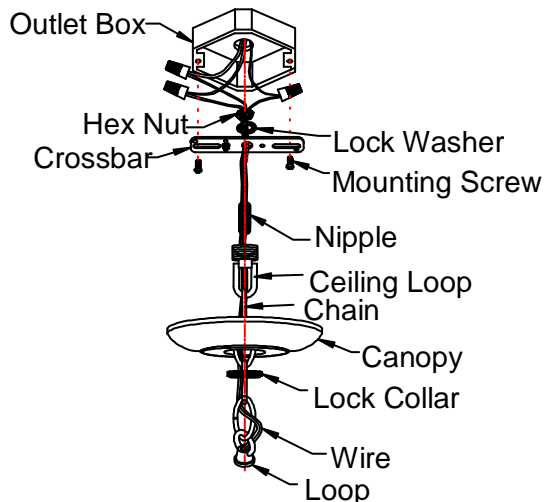
Fig.1

Set# A-010
- Crossbar
- Ground screw
- Mounting Screw*2



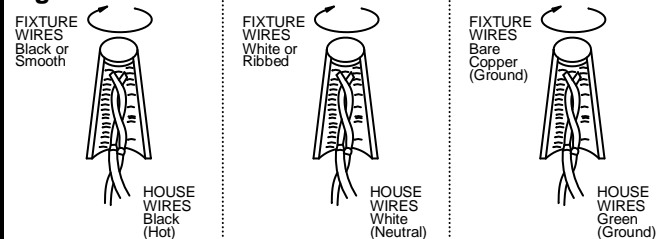
Socket ring # SKT-RING-26

Fig.2



HCH2072-143C

Fig. 3



LA-2315E



american
lighting
association