

INSTALLATION INSTRUCTION FOR FIXTURE#9822

READ AND SAVE THESE INSTRUCTIONS

WARNING! SHUT POWER OFF AT FUSE OR CIRCUIT BREAKER .
AVERTISSEMENT! COUPER LE COURANT AU NIVEAU DES FUSIBLES OU DU DISJONCTEUR.

ASSEMBLING THE FIXTURE

1. Shut off the power supply at the fuse box or circuit breaker. Remove the old fixture from ceiling, including the mounting hardware.
2. Carefully unpack your new fixture and lay out all the parts in a clear area. Take care not to lose any small parts necessary for installation.
3. Attach mounting plate [B] to the junction box [A] and secure using screw [C].
4. Insert screws [D] into the mounting plate equal distance apart.

CONNECTING THE WIRES

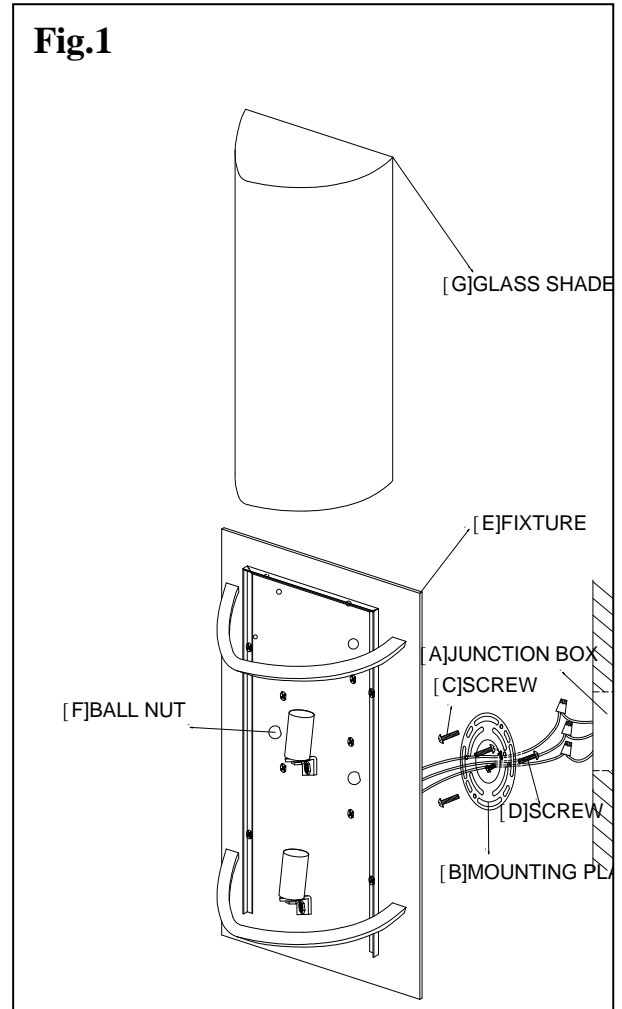
5. At this point, connect the electrical wires as shown in Fig. 2, making sure that all wire connectors are secured. If your outlet box has a ground wire (green or bare copper), connect the fixture's Ground Wire to it. Otherwise, connect the fixture's Ground Wire directly to the mounting plate using the Green Screw provided. After wires are connected, tuck them carefully inside the Junction Box.

FINISHING THE INSTALLATION

6. Position the fixture [E] over the screw [D] protruding from the mounting plate [B] and secure with ball nuts [F].
To prevent moisture from entering the outlet box and causing a short, use clear caulking (ie. Indoor / Outdoor Silicone Sealant) to outline the outside of the fixture back plate where it meets the wall leaving a space at bottom to allow moisture a means to escape (Fig.3)
7. Install the 2*60W B10.5 light bulb in accordance with fixture's specifications. **DO NOT EXCEED THE MAXIMUM WATTAGE RATING! (NE PAS DEPASSER LA PUISSANCE NOMINALE MAXIMALE!)**
8. Place glass shade [G] over fixture [E].

Your installation is now complete. Return power to the junction box and test the fixture.

IMPORTANT: Fixture should be installed by a qualified electrician to ensure proper wiring and installation.



FIXTURE WIRES	HOUSE WIRES
Black or Smooth	Black (Hot)
White or Ribbed	White (Neutral)
Bare Copper (Ground)	Green (Ground)

