

# INSTALLATION INSTRUCTIONS

For Model 73370-66-L/73371-66-L

READ AND SAVE THESE INSTRUCTIONS

**WARNING! SHUT POWER OFF AT FUSE OR CIRCUIT BREAKER.**

**AVERTISSEMENT! COUPER LE COURANT AU NIVEAU DES FUSIBLES OU DU DISJONCTEUR.**

## HANGING THE FIXTURE (Fig. 1)

1. Shut off power at the fuse box or circuit breaker box and remove the old fixture including the mounting hardware.
2. Carefully unpack your new fixture and lay out all the parts in a clear area. Take care not to misplace any small parts necessary for installation.
3. Attach the mounting plate (B) to the outlet box (A) (not included) with mounting screws (C). (Size: #8-32\*0.78"L). The side of mounting plate marked "GND" must face out.

## CONNECTING THE WIRES (Fig. 2).

4. Connect the electrical wires as shown in Fig.2. Making sure that all wire connectors are secured. If your outlet box has a ground wire (green or bare copper), connect fixture's ground wire to it. Otherwise, connect fixture's ground wire directly to the mounting plate using green screw provided.

## COMPLETING THE INSTALLATION (Fig.1)

5. Align fixture (D) to mounting plate (B) and secure with screws (E) & washers (F).
6. To prevent moisture from entering the outlet box and causing a short, use clear caulking (i.e. Indoor/Outdoor Silicone Sealant) to outline the outside of fixture back plate where it meets the wall leaving a space at bottom to allow moisture a means to escape. (Fig. 3)

Bulb information: Integrated LED module 2 x DC LED 4W included for 73370-66-L/73371-66-L

**DO NOT EXCEED THE MAXIMUM WATTAGE RATING! (NE PAS DEPASSER LA PUISSANCE NOMINALE MAXIMALE!)**

Your installation is now complete. Return power to the junction box and test the fixture.

Fig.1

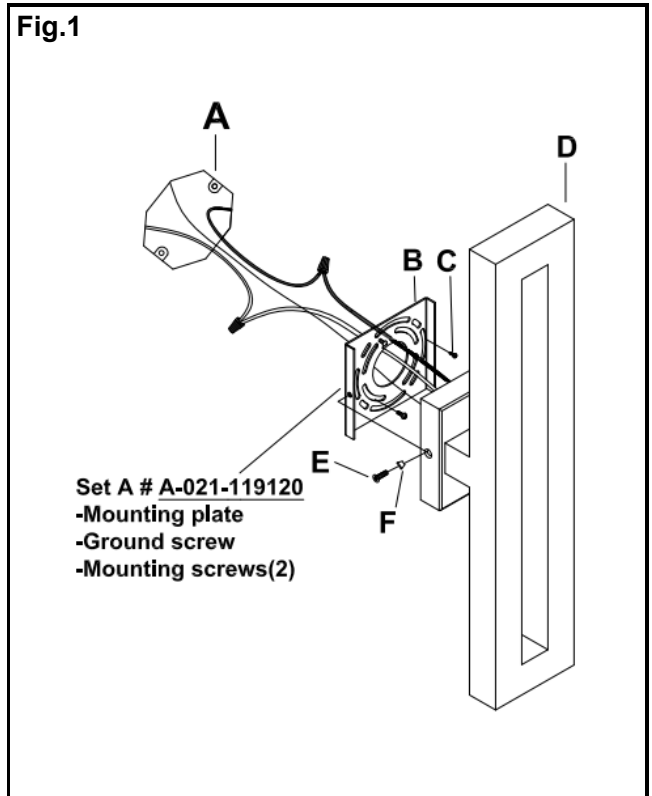


Fig. 2

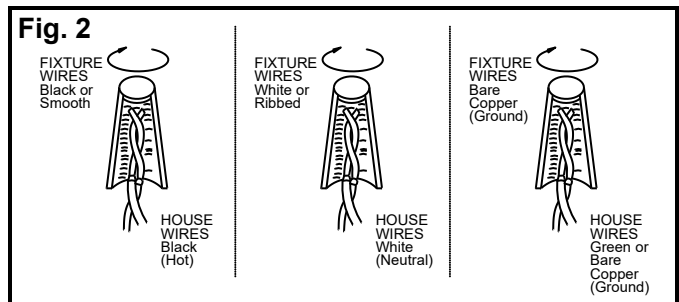


Fig. 3

