

INSTALLATION INSTRUCTIONS

For Model 72484-143C/72484-66-C

WARNING! SHUT POWER OFF AT FUSE OR CIRCUIT BREAKER.

AVERTISSEMENT! COUPER LE COURANT AU NIVEAU DES FUSIBLES OU DU DISJONCTEUR.

HANGING THE FIXTURE (Fig. 1)

1. Shut off the power at the circuit breaker and remove the old fixture, including the mounting hardware. Carefully unpack your new fixture and lay out all the parts on a clear area. Take care not to lose any small parts necessary for installation.
2. Remove the cage (O) by loosening two screws (M), Install the bulb (E12-Candelabra, not included) in accordance with the fixture's specification. Place the cage (O) back to the top cover (L) and secure with two screws (M).
3. Place lock washer (F) over all threads (D) protruding through crossbar (C) and thread hex nut (E) onto all threads (D) until tight. Take the crossbar assembly and mount to ceiling outlet box (A) (not included) using screws (B). Tighten screws securely with screwdriver. The side of the crossbar marked "GND" must face out.
4. Use a pair of pliers to open one end link of the chain provided and connects to fixture loop (K). Close the link. By measuring, determine correct number of links needed for proper hanging height. Using pliers disconnect and discard remaining chain.
5. Lace the fixture wires through the chain. Slip loop collar (J) over the chain, and then do the same with canopy (I). Open the other end link of chain and hang the fixture on the loop at the ceiling. Close the link. Feed the fixture wires through the loop (G) and all thread (D) and pull until taut.

CONNECTING THE WIRES (Fig. 2)

6. Connect the electrical wires as shown in Fig.2. Making sure that all wire connectors are secured. If your outlet box has a ground wire (green or bare copper), connect fixture's ground wire to it. Otherwise, connect fixture's ground wire directly to the circular strap using green screw provided.
7. Tuck the wire connections neatly into the ceiling outlet box.
8. Finally thread lock collar (J) to loop (G) and secure the canopy (I) to ceiling.

DO NOT EXCEED THE MAXIMUM WATTAGE RATING! (NE PAS DEPASSER LA PUISSANCE NOMINALE MAXIMALE!)

Fig. 1

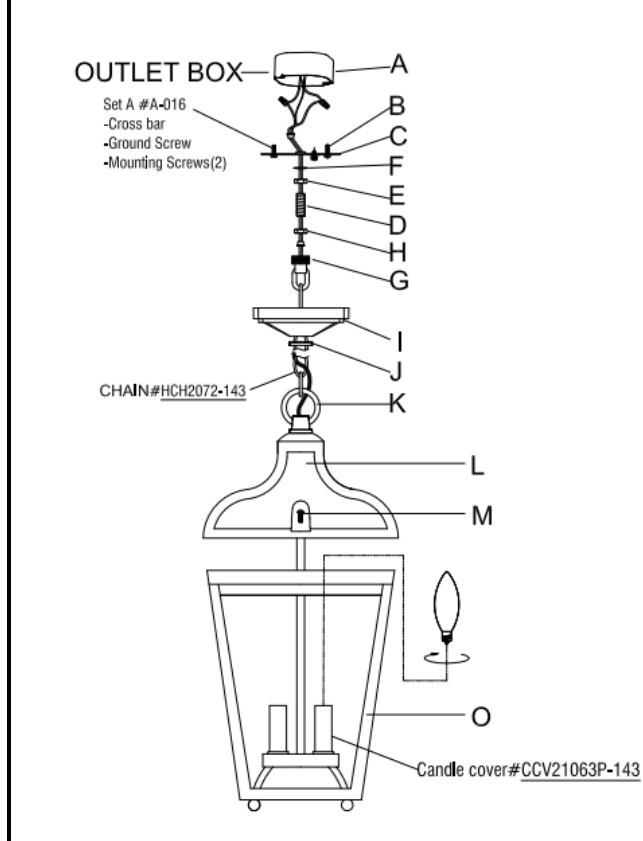
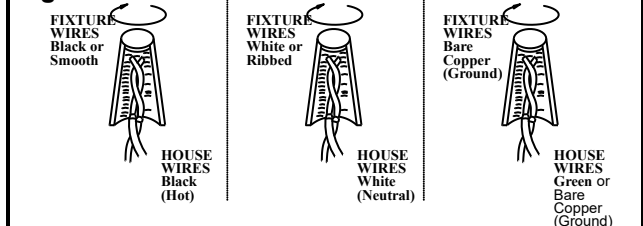


Fig. 2



Your installation is now complete. Return power to the junction box and test the fixture.



Notice: It is important to use proper chain pliers (not included) To OPEN and CLOSE the chain included with this fixture. Do not open them with other tools that may twist or stress the chain links. It is important to use proper chain pliers like the ones shown in the diagram.

