

# INSTALLATION INSTRUCTIONS

Model# 73298-143C

READ AND SAVE THESE INSTRUCTIONS

**WARNING! SHUT POWER OFF AT FUSE OR CIRCUIT BREAKER.**

**AVERTISSEMENT! COUPER LE COURANT AU NIVEAU DES FUSIBLES OU DU DISJONCTEUR.**

## PREPARING FOR INSTALLATION (Fig. 1)

1. Shut off power at the fuse box or circuit breaker box and remove the old fixture including the mounting hardware.
2. Carefully unpack your new fixture and lay out all the parts in a clear area. Take care not to misplace any small parts necessary for installation.
3. Insert glass (J, 4pcs) into fixture frame from bottom, push glass all the way into glass slots, then fasten glass tabs. Insert side glass first (the smaller one), then the front and back.
4. Install (4) four candelabra base bulbs (I) up to 40 Watts, or CFL or LED equivalent (not included), in accordance with the fixture specification. **(DO NOT EXCEED THE MAXIMUM WATTAGE RATING) (NE PAS DEPASSER LA PUISSANCE NOMINALE MAXIMALE!)**
5. Thread all thread (K) into cross bar (B) and secure with lock washer (F) and hex nut (H). Note: The length of all thread into cross bar (B) may be adjusted if necessary.
6. Thread other end of all thread (K) into ceiling loop (N) until snug.
7. Attach cross bar (B) assembly using outlet box screws (D) to outlet box (A) (not included). The side of cross bar (B) marked "GND" must face out.
8. Determine desired hanging height and use a pair of proper chain pliers to remove and discard excess chain.
9. Open one end of chain and attach it to fixture loop (Q) and close chain. Slip lock collar (L) and canopy (M) over chain and allow them to rest on fixture body. Open other end of chain and attach it to ceiling loop (N) and close chain.
10. Carefully lace fixture's wires through chain. Feed fixture wires through ceiling loop (N) and all thread assembly.

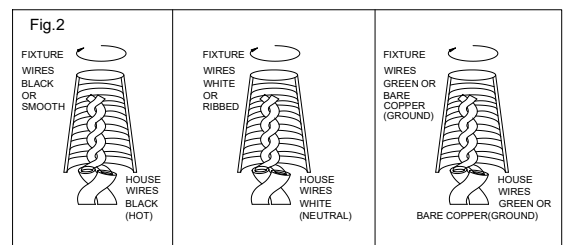
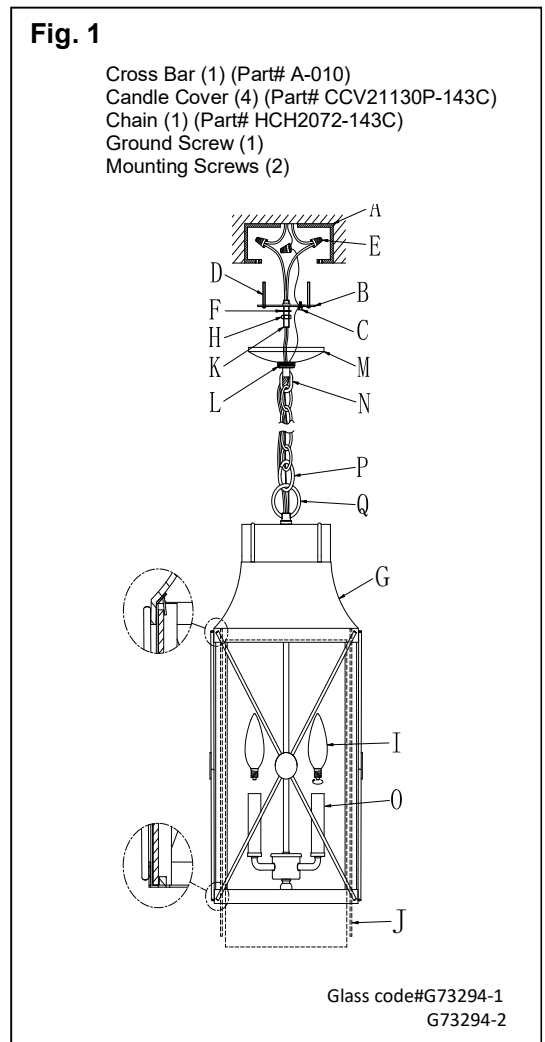
## CONNECTING THE WIRES (Fig. 2)

11. Connect electrical wires as shown in Fig.2 with wire connectors (E), making sure that all wire connectors are secured. If your outlet box (A) has a ground wire (green or bare copper), connect fixture's ground wire to it. Otherwise, connect fixture's ground wire directly to cross bar (B) using green screw (C) provided.
12. Tuck wire connectors neatly into the outlet box (A).

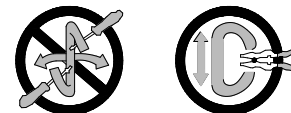
## COMPLETING THE INSTALLATION (Fig. 1)

13. Raise canopy (M) over ceiling loop (N) and secure with lock collar (L).
14. This fixture is ETL listed for wet location applications. Needs to be installed under the cover.

Your installation is now complete. Return power to the outlet box and test the fixture.



Notice: It is important to use proper chain pliers (not included) To OPEN and CLOSE the chain included with this fixture. Do not open them with other tools that may twist or stress the chain links. It is important to use proper chain pliers like the ones shown in the diagram.



**“CAUTION-RISK OF FIRE CONSULT A QUALIFIED ELECTRICIAN TO ENSURE CORRECT BRANCH CIRCUIT CONDUCTOR”**

**ATTENTION – RISQUE D’INCENDIE. CONSULTER UN ÉLECTRICIEN QUALIFIÉ POUR VOUS ASSURER QUE LES CONDUCTEURS DE LA DÉRIVATION SONT ADÉQUATS.**