

INSTALLATION INSTRUCTIONS

Model # 7998-66/7999-66
 READ AND SAVE THESE INSTRUCTIONS

WARNING! SHUT POWER OFF AT FUSE OR CIRCUIT BREAKER.

AVERTISSEMENT! COUPER LE COURANT AU NIVEAU DES FUSIBLES OU DU DISJONCTEUR.

PREPARING FOR INSTALLATION (Fig. 1)

1. Shut off power at the fuse box or circuit breaker box and remove the old fixture including the mounting hardware.
2. Carefully unpack your new fixture and lay out all the parts in a clear area. Take care not to misplace any small parts necessary for installation.
3. Install all thread (G) into cross bar (E) and secure with hex nut (C) and washer (D). Note: The length of all thread (G) into the cross bar (E) may be adjusted if necessary. Attach cross bar (E) (part #: A-012) to outlet box (A) (not included) with outlet box screws (F) (size:8-32*1/2L). Note: the side of cross bar (E) marked "GND" must face out.
4. Attach canopy loop (I) to all thread (G).
5. Remove screws (Q), separate cover (O) from fixture body (T), and install glass panels (P) into holder of fixture body (T) and secure with tabs (S) on top and bottom.
6. Install (4) four candelabra base bulbs (R) up to 60 watts or CFL or LED equivalent (not included) in accordance with the fixture specification. **(DO NOT EXCEED THE MAXIMUM WATTAGE RATING!) (NE PAS DEPASSER LA PUISSANCE NOMINALE MAXIMALE!)**
7. Place cover (O) onto fixture body (T) and secure with screws (Q).
8. Adjust chain (L) to desired length by removing unneeded links. Attach one quick link (M) to end of chain (L) and then to fixture loop (N). Pass lock collar (J) followed by canopy (H) over chain and allow them to rest carefully on fixture loop (N). Attach other quick link (K) to other end of chain and then to canopy loop (I).
9. Carefully pass fixture wires through chain (L), lock collar (J), canopy (H), canopy loop (I) and all thread (G).

CONNECTING THE WIRES (Fig. 2)

10. Connect the electrical wires as shown in Fig.2. Making sure that all wire connectors (B) are secured. If your outlet box (A) has a ground wire (green or bare copper), connect fixture's ground wire to it. Otherwise, connect the fixture's ground wire directly to cross bar (E) using the green screw provided.

FINISHING THE INSTALLATION (Fig.1)

11. Slide canopy (H) over canopy loop (I) and secure with lock collar (J).

Your installation is now complete. Return power to the outlet box and test the fixture.

Notice:It is important to use proper chain pliers(not included) To OPEN and CLOSE the chain included with this fixture.Do not open them with other tools that may twist or stress the chain links. It is important to use proper chain pliers like the ones shown in the diagram.

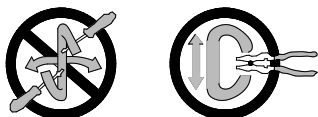
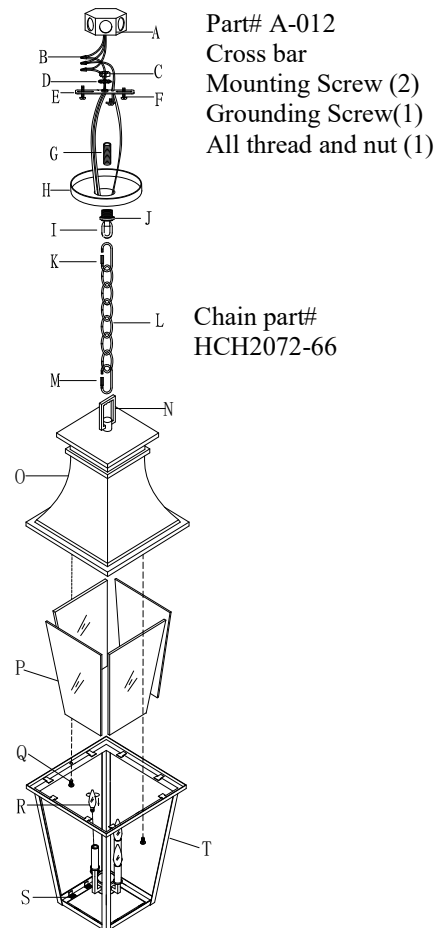


Fig. 1



Part# A-012
 Cross bar
 Mounting Screw (2)
 Grounding Screw(1)
 All thread and nut (1)

Chain part#
 HCH2072-66

Glass# G7992 for 7998, Glass# G7993 for 7999
 Candle Cover# CCV21065P-66 Short Sand Coal for 7998
 Candle Cover# CCV21065P-06 Short Soft Cream for 7998
 Candle Cover# CCV21090P-66 Long Sand Coal for 7998
 Candle Cover# CCV21090P-06 Long Soft Cream for 7998
 Candle Cover# CCV21075P-66 Short Sand Coal for 7999
 Candle Cover# CCV21075P-06 Short Soft Cream for 7999
 Candle Cover# CCV21100P-66 Long Sand Coal for 7999
 Candle Cover# CCV21100P-06 Long Soft Cream for 7999

Fig. 2



IMPORTANT: FIXTURE SHOULD BE INSTALLED BY A QUALIFIED ELECTRICIAN TO ENSURE PROPER WIRING AND INSTALLATION.

