

# INSTALLATION INSTRUCTIONS

Model # 72134-66

READ AND SAVE THESE INSTRUCTIONS

**WARNING! SHUT POWER OFF AT FUSE OR CIRCUIT BREAKER.**

**AVERTISSEMENT! COUPER LE COURANT AU NIVEAU DES FUSIBLES OU DU DISJONCTEUR.**

## PREPARING FOR INSTALLATION (Fig. 1)

1. Shut off power at the fuse box or circuit breaker box and remove the old fixture including the mounting hardware.
2. Carefully unpack your new fixture and lay out all the parts in a clear area. Take care not to misplace any small parts necessary for installation.
3. Remove screws (F) and rubber washers (E) and separate mounting plate (C) from the back plate (G).
4. Position mounting plate (C) on the wall and mark location of the four drywall anchors (O). Pre-drill the holes for drywall anchors (O). Insert drywall anchors (O) into wall.
5. Attach mounting plate (C) using outlet box screws (D) to outlet box (Not included). Note: The side of mounting plate marked "GND" must face out.
6. Place woodscrews (N) through holes into drywall anchor (O) to secure mounting plate (C) as shown in Fig.1.
7. The support cable (P) is provided to support weight of fixture while wiring. Align fixture to mounting plate (C) and attach hook (Q) on the end of support cable (P) into a slot located on mounting plate (C). Carefully allow support cable (P) to support weight of the fixture while wiring (Fig.1)

## CONNECTING THE WIRES (Fig. 2)

8. Connect electrical wires as shown in (Fig.2). Making sure that all wire connectors (B) are secured. If your outlet box (A) has a ground wire (green or bare copper), connect fixture's ground wire to it. Otherwise, connect fixture's ground wire directly to mounting plate (C) using green screw provided.
9. Tuck wire connectors neatly into the outlet box (A).

## COMPLETING THE INSTALLATION (Fig. 1)

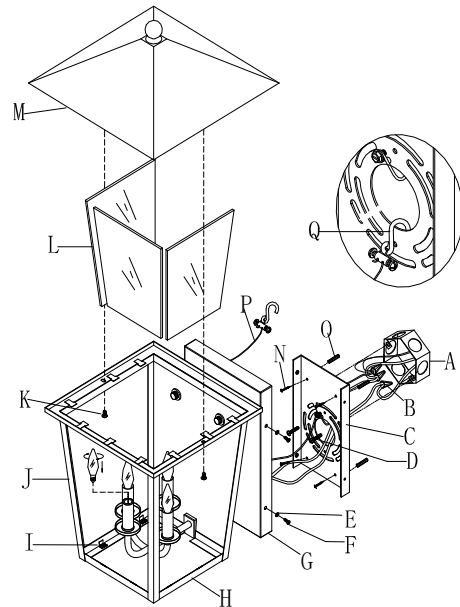
10. Align back plate (G) onto mounting plate (C) and secure with rubber washers (E) and screws (F).
11. Remove screws (K), separate cover (M) from fixture body (H), and install glass panels (L) into the holder of fixture body (H) and secure with frame tabs (I) on top and bottom.
12. Install (4) four candelabra base bulbs (J) up to 60 watts or CFL or LED equivalent (not included) in accordance with the fixture specification. **—DO NOT EXCEED THE MAXIMUM WATTAGE RATING! (NE PAS DEPASSER LA PUISSANCE NOMINALE MAXIMALE!)**
13. Align cover (M) onto fixture body (H) and secure with screws (K).
14. To prevent moisture from entering outlet box (A) and causing a short, use clear silicone sealant to outline outside of back plate (G) where it meets the wall leaving a space at bottom to allow moisture a means to escape. (Fig .3)

Your installation is now complete. Return power to the outlet box and test the fixture.

**IMPORTANT: FIXTURE SHOULD BE INSTALLED BY A QUALIFIED ELECTRICIAN TO ENSURE PROPER WIRING AND INSTALLATION.**

Fig. 1

Part# A-020-279345  
Mounting Plate (1)  
Mounting screws (2)  
Ground screw (1)



Glass# G72134-1

Candle Cover# CCV21070P-66

Fig. 2

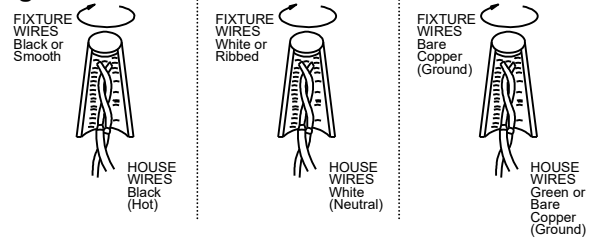


Fig. 3

