

INSTALLATION INSTRUCTIONS

Model# 73234-738

READ AND SAVE THESE INSTRUCTIONS

WARNING! SHUT POWER OFF AT FUSE OR CIRCUIT BREAKER.

AVERTISSEMENT! COUPER LE COURANT AU NIVEAU DES FUSIBLES OU DU DISJONCTEUR.

PREPARING FOR INSTALLATION (Fig. 1)

1. Shut off power at the fuse box or circuit breaker box and remove the old fixture including the mounting hardware.
2. Carefully unpack your new fixture and lay out all the parts in a clear area. Take care not to misplace any small parts necessary for installation.
3. Position mounting plate (B) on the wall and mark the location of the two holes on mounting plate (B) where plastic anchors (O) will be inserted. Drill holes into the wall and insert the plastic anchors (O).
4. Attach mounting plate (B) to outlet box (A) (not supplied) with outlet box screws (F). The side of mounting plate marked "GND" must face out. Secure two wood screws (S) into plastic anchors (O).

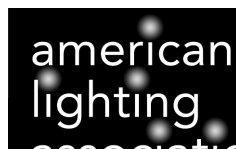
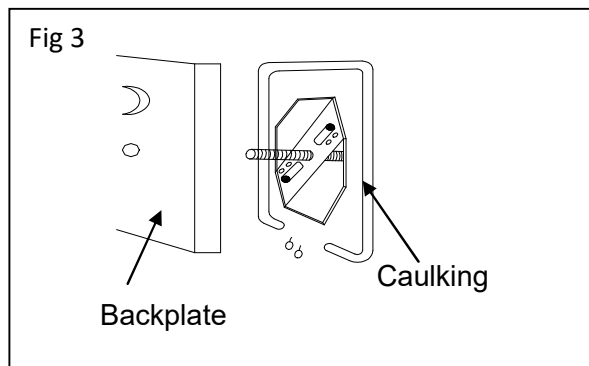
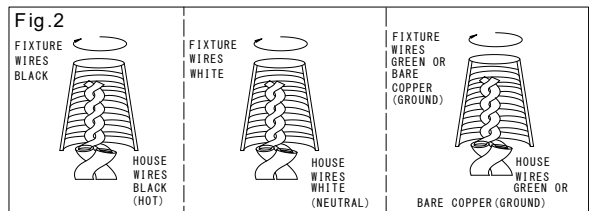
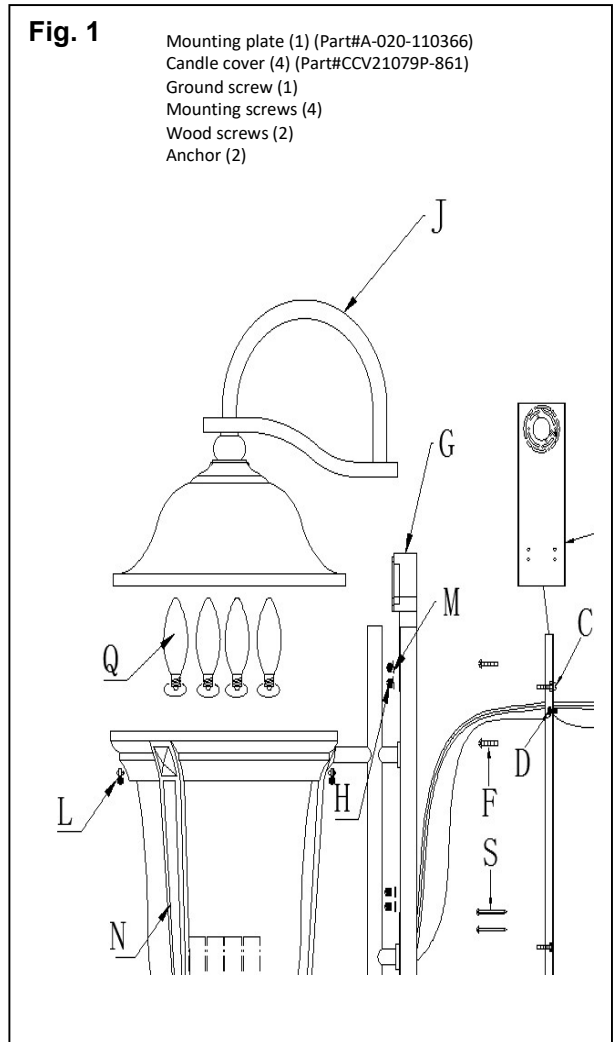
CONNECTING THE WIRES (Fig. 2)

5. Connect the electrical wires as shown in Fig.2 with connectors (E), making sure that all wire connectors are secured. If your outlet box (A) has a ground wire (green or bare copper), connect the fixture's ground wire to it. Otherwise, connect the fixture's ground wire directly to the mounting plate (B) using the green screw (D) provided. After the wires are connected, carefully tuck them inside the outlet box (A).

FINISHING THE INSTALLATION (Fig. 1)

6. Place back plate (G) over mounting screws (C), follow by rubber gasket (M), then secure to wall using cap nuts (H). (Fig.1)
7. Loosen screws (L) and separate fixture frame (N) from cover (J).
8. Install (4) four candelabra base bulbs (Q) up to 60 Watts, or CFL or LED equivalent (not included), in accordance with the fixture specification. **(DO NOT EXCEED THE MAXIMUM WATTAGE RATING) (NE PAS DEPASSER LA PUISSANCE NOMINALE MAXIMALE!)**
9. Secure cover (J) to fixture frame (N) by screwing screws (L) until tight.
10. To prevent moisture from entering the outlet box (A) and causing a short, use clear silicone sealant to outline the outside of fixture back plate (G) where it meets the wall leaving a space at bottom to allow moisture a means to escape. (Fig.3)
11. This fixture is ETL listed for wet location applications.

Your installation is now complete. Return power to the outlet box and test the fixture.



“CAUTION-RISK OF FIRE CONSULT A QUALIFIED ELECTRICIAN TO ENSURE CORRECT BRANCH CIRCUIT CONDUCTOR”

ATTENTION - RISQUE D'INCENDIE, CONSULTER UN ÉLECTRICIEN QUALIFIÉ POUR VOUS ASSURER QUE LES CONDUCTEURS DE LA DÉRIVATION SONT ADÉQUATS.