

# INSTALLATION INSTRUCTIONS

Model # 72741-143C-L/72742-143C-L/72743-143C-L  
READ AND SAVE THESE INSTRUCTIONS

**WARNING! SHUT POWER OFF AT FUSE OR CIRCUIT BREAKER.**  
**AVERTISSEMENT! COUPER LE COURANT AU NIVEAU DES FUSIBLES OU DU DISJONCTEUR.**

## PREPARING FOR INSTALLATION (Fig. 1)

1. Shut off power at the fuse box or circuit breaker box and remove the old fixture including the mounting hardware.
2. Carefully unpack your new fixture and lay out all the parts in a clear area. Take care not to misplace any small parts necessary for installation.
3. Remove the screws (D) and the rubber washers (C) to separate mounting plate (A) from canopy (E).
4. Attach mounting plate (A) onto the junction box with the mounting screw (B), Note: The side of the mounting plate marked "GND" must be face out.

## CONNECTION THE WIRES (Fig. 2)

5. Connect the electrical wires as shown in Fig.2. making sure that all wire connectors are secured. If your junction box has a ground wire (green or bare copper), connect the fixture's ground wire to it. Otherwise, connect the fixture's ground wire directly to the mounting plate (A) using the green screw provided.

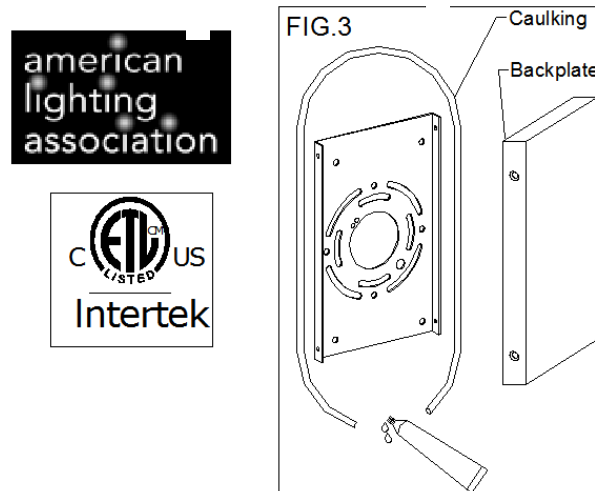
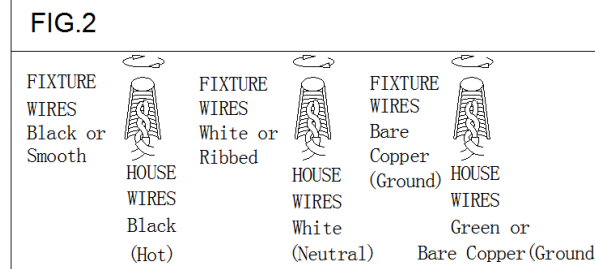
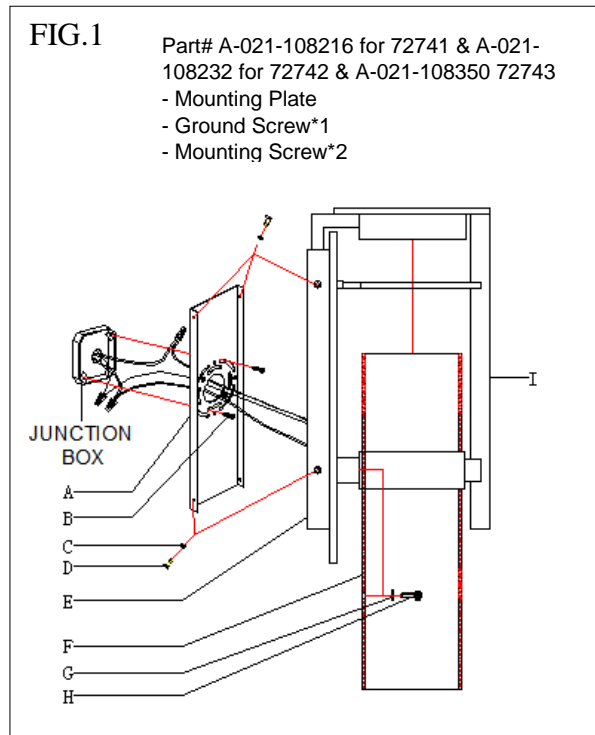
## FINISHING THE INSTALLATION (Fig.1)

6. Place canopy (E) over the mounting plate (A) and secure with screws (D) and the rubber washers (C).
7. Insert the glass (F) into the fixture frame (I), then secure the glass (F) to the fixture frame (I) with rubber washer (G) and screw (H).
8. To prevent moisture from entering the outlet box and causing a short, use clear silicone sealant to outline the outside of fixture back plate where it meets the wall leaving a space at bottom to allow moisture a means to escape.(Fig.3)

Your installation is now complete. Return power to the outlet box and test the fixture.

**IMPORTANT: FIXTURE SHOULD BE INSTALLED BY A QUALIFIED ELECTRICIAN TO ENSURE PROPER WIRING AND INSTALLATION.**

**Dimmable with ELV and/or LED compatible wall dimmer switches.**



american lighting association

ETL LISTED US  
Intertek