

INSTALLATION INSTRUCTIONS

Model # 72704-66A

READ AND SAVE THESE INSTRUCTIONS

WARNING! SHUT POWER OFF AT FUSE OR CIRCUIT BREAKER.

AVERTISSEMENT! COUPERLE COURANT AU NIVEAU DES FUSIBLES OU DU DISJONCTEUR.

PREPARING FOR INSTALLATION (Fig. 2)

1. Shut off power at the fuse box or circuit breaker box and remove the old fixture including the mounting hardware.
2. Carefully unpack your new fixture and lay out all the parts in a clear area. Take care not to misplace any small parts necessary for installation.
3. Insert the glass (M) into the fixture body (K) and secure it with glass panel tabs top and bottom.
4. Install (1) one medium base bulb up to 100 watts or CFL or LED equivalent (not included) in accordance with the fixture specification. —DO NOT EXCEED THE MAXIMUM WATTAGE RATING! (NE PAS DEPASSER LA PUISSANCE NOMINALE MAXIMALE!)

Hanging fixture (fig. 1)

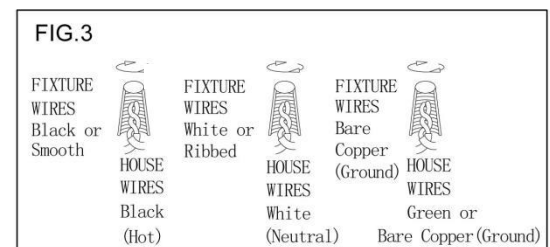
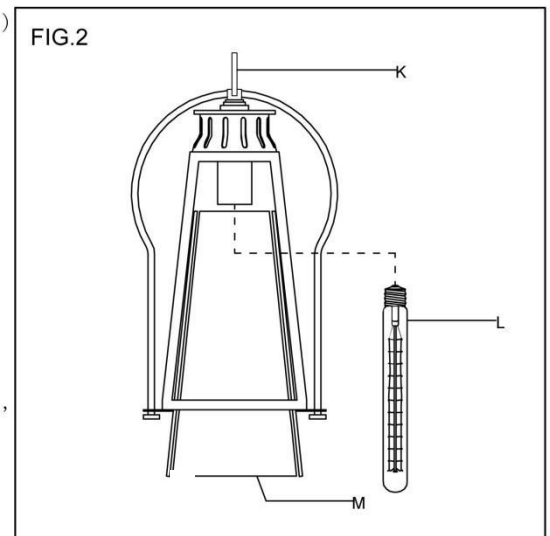
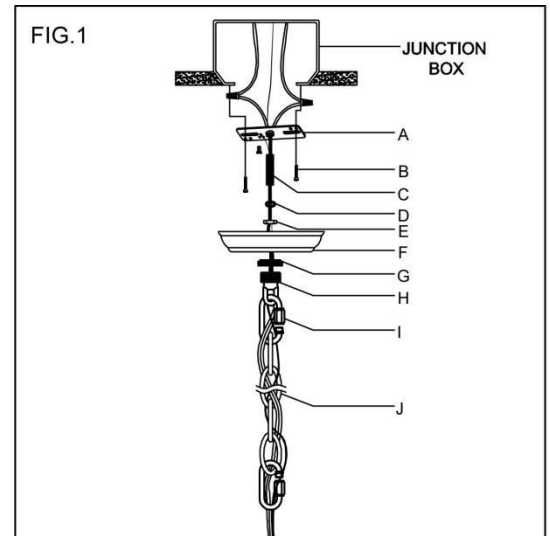
5. Connect the all thread (C) to the cross bar (A). Secure with lock washer (D) hex nut (E).
6. Connect the other end of the all thread (C) to canopy loop (H).
7. Attach this crossbar (A) to the junction box (not included) using junction box screws (E) (size: #8-32n *L0.5"). Note: Green screw attached must face out.
8. Open one of the lock link (I) and connect to fixture body (K) and the chain (J).
9. Determine the length of chain (J) desired. Disconnect, using chain pliers (not included), and discard the remaining chain (J).
10. Slide the locking ring (G) than canopy (F) over the chain.
11. Lace the fixture wires through the chain (J).
12. Open the other lock link (I) and connect to the canopy loop (H). Thread the wire through the canopy ring (H) and the all thread (C).

CONNECTION THE WIRES (Fig. 3)

13. Connect the electrical wires as shown in Fig.3 making sure that all wire connectors are secured. If your junction box has a ground wire (green or bare copper), connect the fixture's ground wire to it. Otherwise, connect the fixture's ground wire directly to the crossbar (A) using the green screw provided. Tuck wires neatly back into the outlet box
14. Slide canopy (F) over canopy loop (H) and secure with locking ring (G).

Your installation is now complete. Return power to the outlet box and test the fixture.

IMPORTANT: FIXTURE SHOULD BE INSTALLED BY A QUALIFIED ELECTRICIAN TO ENSURE PROPER WIRING AND INSTALLATION.



american
lighting
association

CEC
LISTED
us
Intertek