

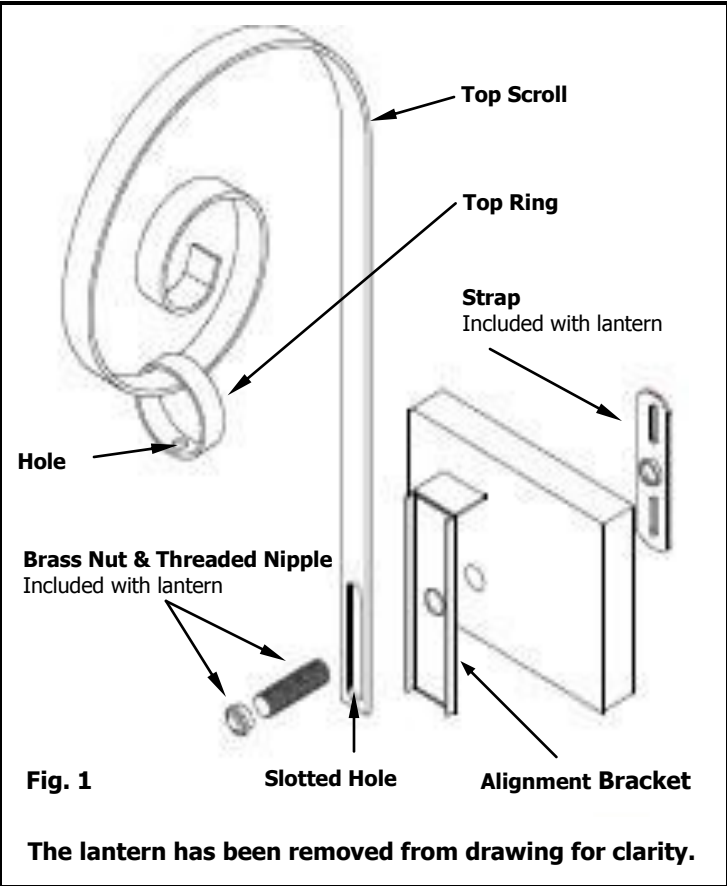
# The Coppersmith

## Top Scroll Installation Instructions

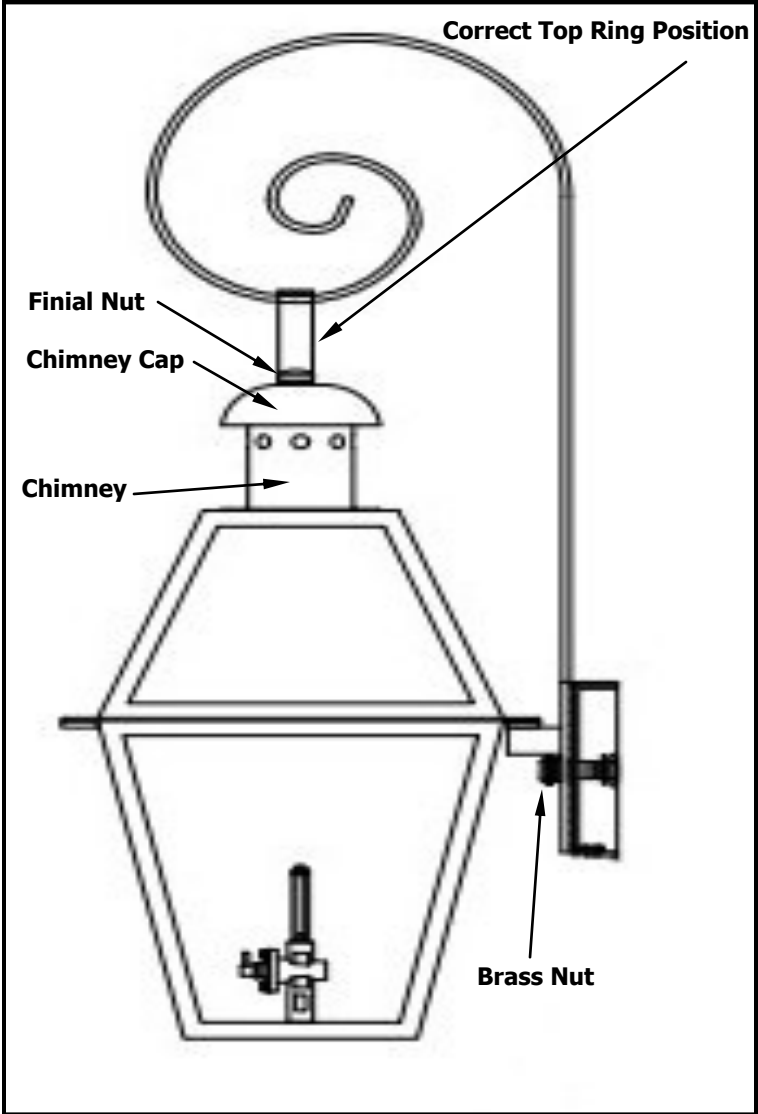
**This installation should be performed by a licensed professional.**

Refer to the Gas and Electric Lantern Installation Instructions included with the lantern before beginning the installation.

1. Remove the contents of the packing and assure that all of the parts shown on figure 1 are included in the box.



2. While performing step 4 of the Lantern Installation Instructions, allow 1-1/2" of threaded nipple to extend out past the mounting strap.
3. When performing step 5 of the Lantern Installation Instructions, slide the alignment bracket onto the threaded nipple after the lantern is put onto the threaded nipple.
4. Place the Top Scroll onto the threaded nipple and tighten the Brass Nut onto the threaded nipple.
5. Place the Top Ring onto the top scroll as shown.



6. Remove the top finial nut and adjust the threaded nipple attaching the chimney cap, adjust an additional 1/4" of threads extending above the chimney.
7. Connect the Top Ring to the Chimney Cap.
8. The Top Scroll is provided with a slotted to allow for vertical adjustment.
9. Adjust the Top Scroll until the Top Ring is snug.
10. Use adjustable pliers to tighten the Brass Nut securing the Top scroll and Lantern to the mounting surface.

For additional technical assistance:  
251.621.3435  
TOLL FREE: 866.249.1918  
Thank you for choosing Coppersmith products.