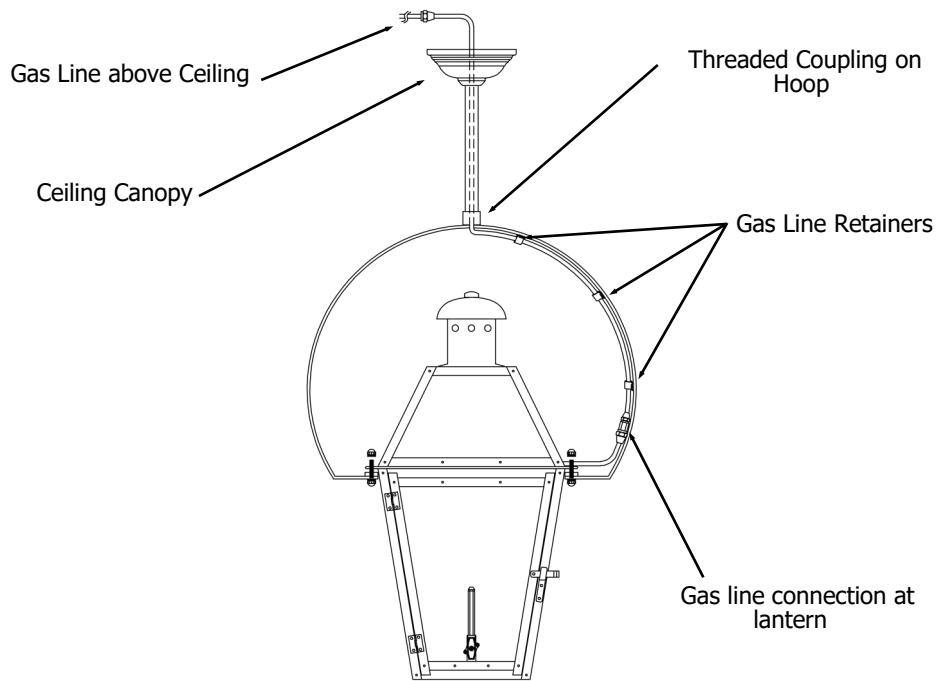


Yoke Installation Instructions

Installation should be performed by a licensed professional.

Refer to the Gas and Electric Lantern Installation Instructions included with the lantern before beginning the installation.

8. Attach the hoop assembly onto the down rod assembly by screwing the coupling on top of the hoop onto the down rod. (Use thread locking compound)
9. Install a flare fitting onto the coiled gas line.
10. Uncoil and form the gas line around the hoop.
11. Connect the two gas lines together as shown below.



12. Connect the gas line to the hoop using the black tie fasteners provided.
13. Connect the gas line in the ceiling to the gas supply line.
14. Follow the leak testing and lighting procedure as outlined in the Lantern Installation Instructions.

**For additional technical assistance:
251.621.3435
TOLL FREE: 866.249.1918**

1. Remove yoke from packing and assure that all of the parts in figure 1 are included in the parts bag.

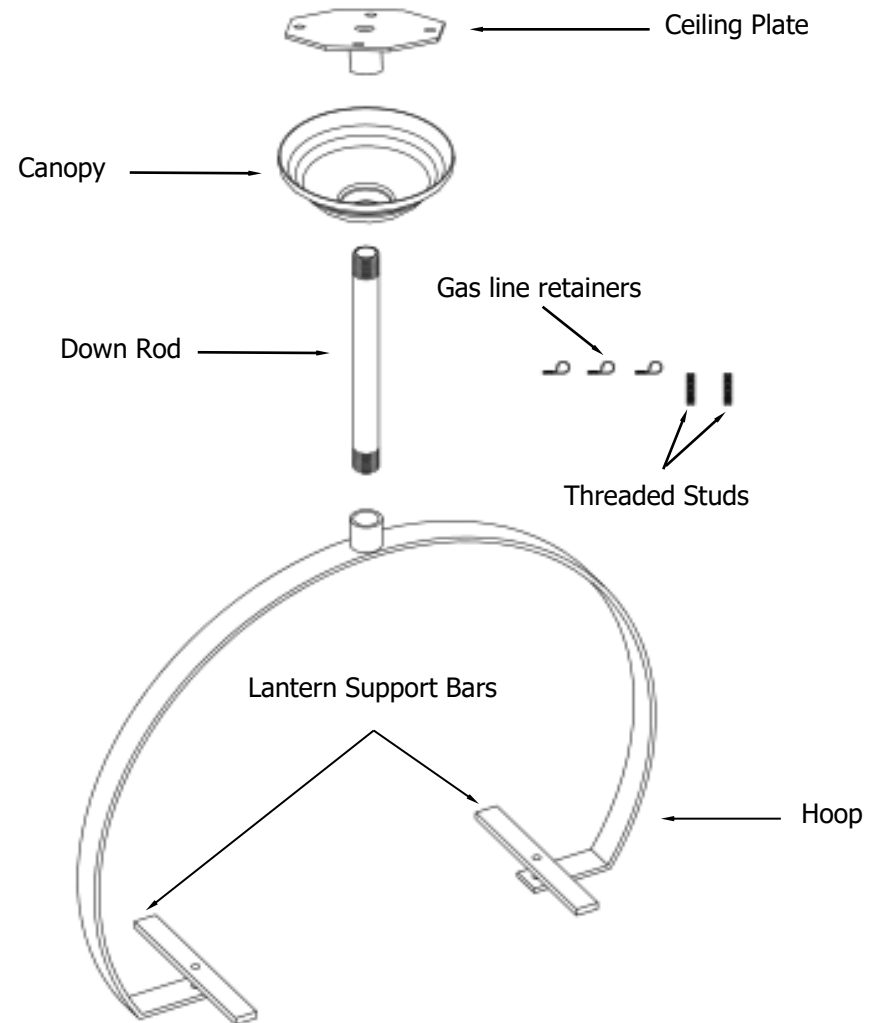


Fig. 1

2. Remove lantern from packing and assure that the gas line is extended from the side with a 1/4" male flare fitting attached. Figure 2.

Gas line fitting.
(1/4" to 3/16" reducer)

NOTE: Electric lanterns are supplied with a coil of wire sufficient for installation extending from the side of the lantern.

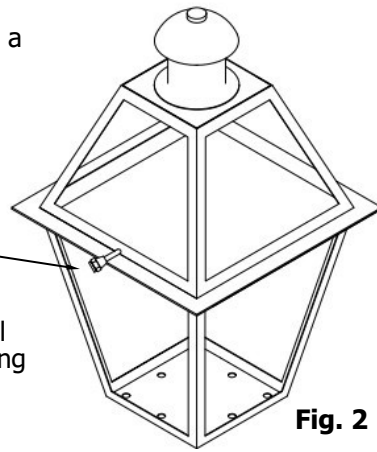


Fig. 2

3. Assemble the Lantern onto the Yoke.

Connect the lantern to the hoop and support bars using the threaded studs. (included in the hardware package) Brass ball nuts required for this step are included with the lantern. Figure 3.

NOTE: Support bars are necessary for proper installation.

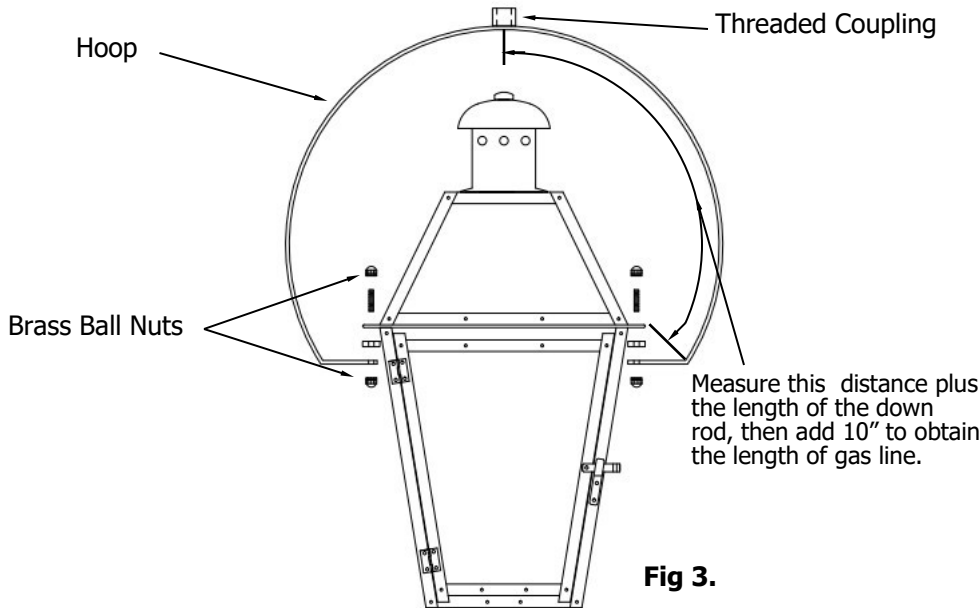


Fig 3.

4. Cut off excessive gas line.

Measure the half perimeter of hoop beginning at the threaded studs and ending at the threaded studs. Add this measurement to the length of the down rod, then add 10" to obtain the length of the copper gas line to be used in step 7.

Ceiling Plate

5. Install the Ceiling Plate.

When attaching the ceiling plate to the mounting surface the proper fasteners must be used for the material that the plate is being attached to. Masonry anchors should be used for masonry surfaces. Wood screws of a suitable length should be used for wood surfaces. When connecting to Drivet or Stucco surfaces you should consult the manufacturer to choose the best fastener options. For this reason, hardware is not included.

10" of gas line above ceiling

6. Install the Down Rod

Install the down rod into the ceiling plate by turning it clockwise until it is tight. A thread locking compound should be used on the down rod to assure connection remains tight.

7. Install the Gas Line.

Using 1/4" flexible copper tube, push the gas line up through the down rod and ceiling plate. (Make sure to allow approximately 10" above the ceiling) Form the remaining gas line into a coil as shown.

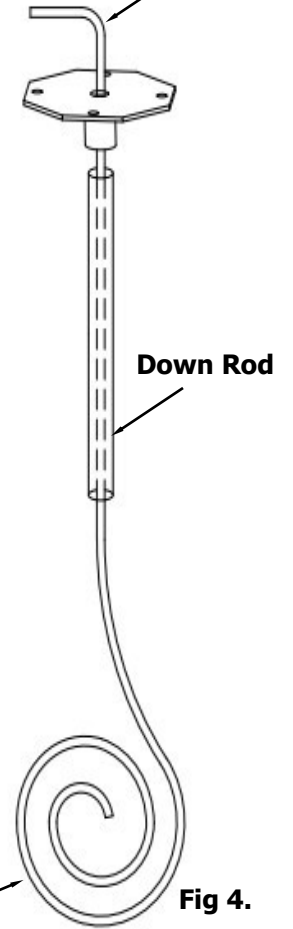


Fig 4.

Gas line formed into a coil to allow for hoop installation.