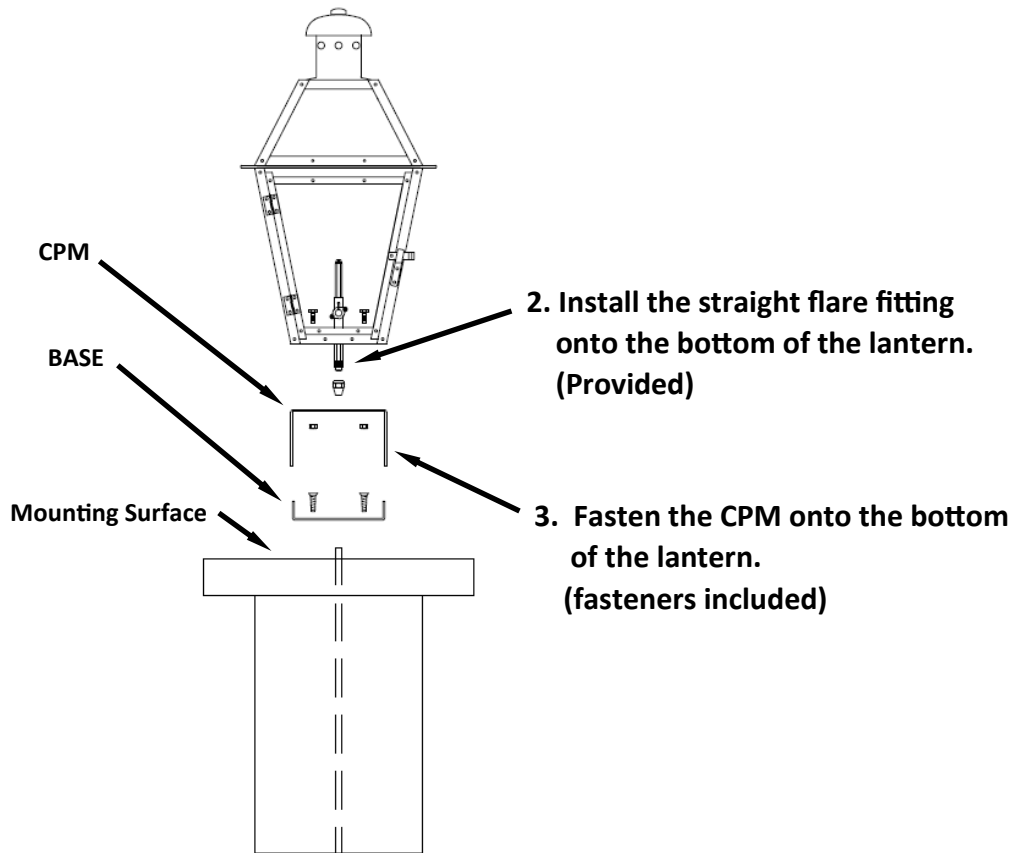


The CopperSmith

Copper Pier Mount Installation Instructions

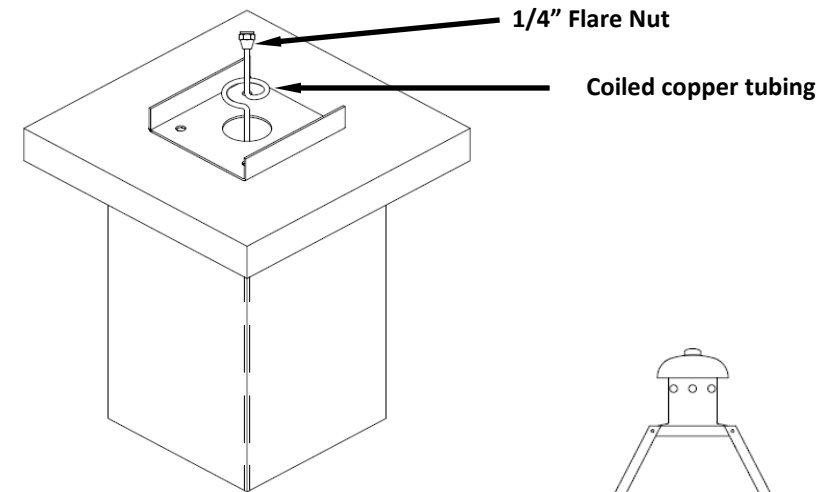
Refer to the Gas and Electric lantern installation instruction provided with the lantern.
This installation should be performed by a licensed professional.

1. Attach the CPM base to the mounting surface using fasteners that are suited for the mounting surface.
(Fasteners for step 1 are not included)



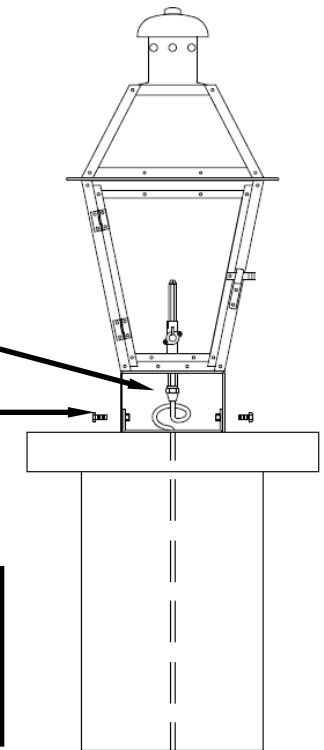
Note: For Electric Lantern installations, refer to the lantern Installation instructions and make electrical connections accordingly.

4. Using 1/4" soft copper tubing, make a coil and attach a 1/4" flare nut as shown.



5. Fasten the 1/4" flare nut onto the straight fitting.

6. Slide the CPM down onto the base. Using the fasteners provided. Connect CPM onto the base.



IMPORTANT NOTE
Leak testing should be conducted
Before the CPM is connected to the
Base.

For additional technical assistance, Contact The CopperSmith
@ 1-866-249-1918 thecoppersmith.net
Thank you for choosing CopperSmith products.