

### Glass Cleaning DO NOT SPRAY OR POUR WATER DIRECTLY INTO THE LANTERN

When cleaning the glass be sure to turn the gas or electric fixture off. Using a clean cotton cloth dampened with glass cleaner, remove any dust and dirt from the glass panels. This will greatly enhance the beauty of the gas flame and electric light source.

### Exterior Finish

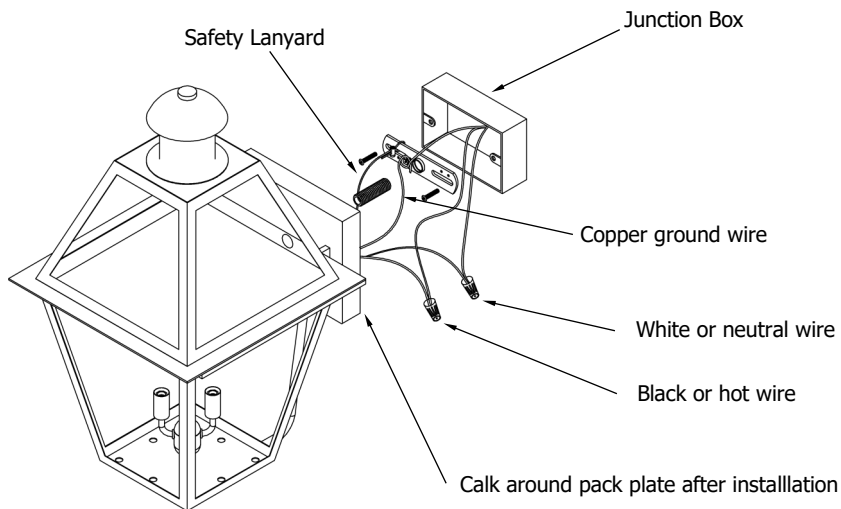
Copper is a natural element that will patina over time. The finish can be maintained using a Scotch Bright or Steel Wool pad and gently buffing the finish to the desired color. A light coat of ordinary car wax applied to the surface and buffed will delay the patina process depending on the atmospheric conditions where the lantern is installed.

## Electric Lantern Installation

THIS INSTALLATION SHOULD BE PERFORMED BY A QUALIFIED LICENSED ELECTRICIAN

**All electric lanterns should be installed in accordance with The National Electric Code (NEC) or National Fire Protection Association (NFPA 70).**

1. Make sure that all power to the installation point has been disconnected.
2. Follow steps 1 through 5 in the Gas Lantern Installation section on page 2.
  - 2a. If supplied, install the safety lanyard.
3. Connect the building ground wire and the lantern ground wire to the mounting strap using the ground wire retaining bolt.
4. Connect the white wire to the neutral wire and the black wire to the hot wire coming from the junction box using the wire nuts. (Supplied) It is recommended that the common and hot wire connections be carefully wrapped with approved electrical tape.
5. Carefully tuck all wires into the junction box. Make sure that no wires can be pinched or trapped between the mounting surface and mounting plate on the lantern.
6. Place the center hole of the mounting bracket over the threaded nipple and secure the lantern using the brass cap nut. (Supplied)
7. Use water proof calking to seal the pack plate onto the mounting surface.
8. Install the light bulbs. (See fixture markings for maximum bulb wattage.)
9. Reconnect power to the installation point.



For additional technical assistance and replacement parts call:  
251.621.3435  
TOLL FREE: 866.249.1918

# The CopperSmith

## INSTALLATION AND SAFETY INSTRUCTIONS FOR GAS LANTERNS

**NOTE:** INSTALLATION INSTRUCTIONS ARE TO BE LEFT WITH THE CUSTOMER AND RETAINED FOR FUTURE REFERENCE



### DANGER

#### FIRE OR EXPLOSION HAZARD

If you smell gas:

1. Shut off gas to the appliance.
2. Extinguish any open flame.
3. If odor continues, leave the area immediately.
4. After leaving the area, call your gas supplier immediately.

Failure to follow these instructions could result in fire or explosion, which could cause property damage, personal injury or death.



### WARNING

#### FIRE OR EXPLOSION HAZARD

Do not store or use gasoline or any other flammable vapors and liquids in the vicinity of this or any other appliance.  
Do not obstruct the air flow openings on the top or bottom of the gas lantern.

Failure to follow these instructions could result in fire or explosion, which could cause property damage, personal injury or death.

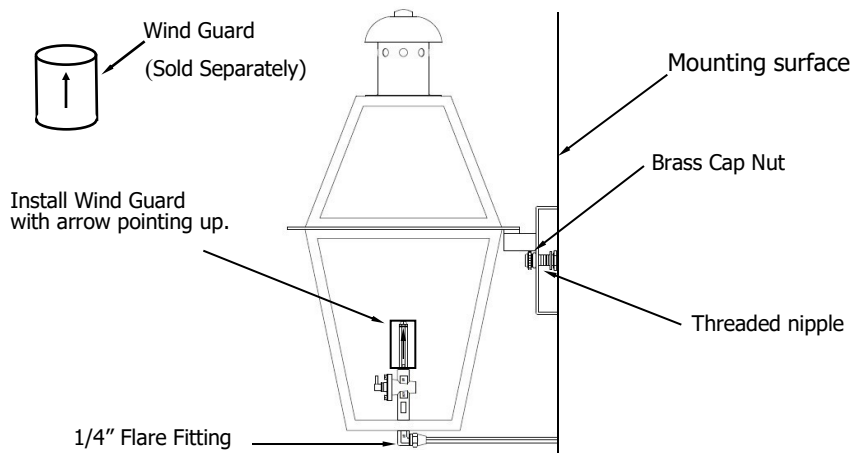
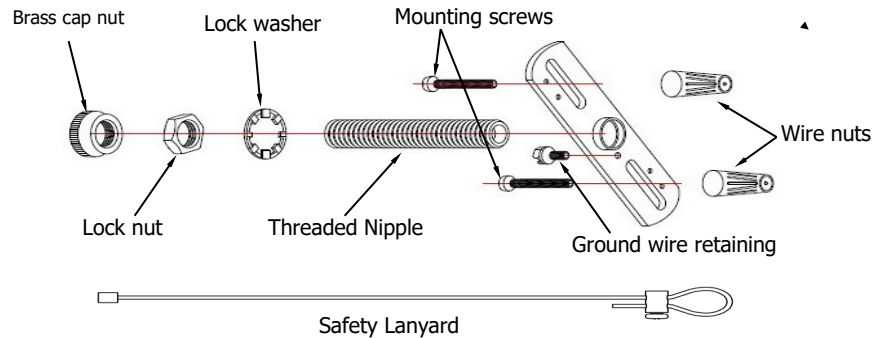
### IMPORTANT INSTALLATION NOTES

1. Gas lanterns should be installed by a licensed qualified installer and in compliance with local codes and regulations, or in absence of local codes, in compliance with National Fuel and Gas Code: ASNI Z2231.1. CAN-B149.1 INSTALLATION CODE FOR NATURAL GAS BURNING APPLIANCES, CAN-B149.2 FOR PROPANE GAS BURNING APPLIANCES.
2. It is recommended that a shut off valve be installed between the lantern and the gas supply line.
3. Gas lanterns are equipped with burners that designed to use 1/4" semi-rigid internally tinned copper tubing.
4. The maximum natural gas pressure for a gas lantern is 11" water column and 3" minimum water column.
5. The maximum propane pressure for a gas lantern is 11" water column and a minimum of 4".
6. If two or more lanterns are supplied by the same gas line, proper gas line sizing is required.
7. Gas pressure regulators are REQUIRED to assure that the maximum gas pressures are not exceeded.
8. It is highly recommended that a gas pressure regulator with an outlet pressure of 4" water column be used on each lantern.
9. Gas line connections should thoroughly checked for leaks before lighting the lantern.
10. Gas lanterns should be installed a minimum of 12" vertical and 6" horizontal clearance from any combustible materials.
11. The surfaces of gas lanterns become very hot during normal use and should be installed out of the reach of persons or animals to prevent burns due to accidental contact.
12. Gas lanterns should be installed in well ventilated areas.
13. Gas and electric lanterns that are post mounted are designed to be used on a 3" outside diameter round steel post with a wall thickness of .064".
14. All gas lanterns are for outdoor use only.

## Gas lantern installation

1. Remove the lantern from the packing and inspect for any damage that may have occurred during shipping.
2. Make sure that all hardware that is shown on Figure (1) is inside the parts bag.
3. Attach the mounting strap to a standard 4" x 4" x 2" junction box. (If mounting to a masonry surface it will be necessary to use the appropriate anchors. If mounting to a wood surface it will be necessary to use the appropriate wood screws.)
4. Screw the threaded nipple into the mounting strap leaving approximately 1-1/8" of threads extended out past the mounting strap.
5. Place the center hole of the mounting bracket over the threaded nipple and secure the lantern using the brass cap nut. Use a pair of adjustable pliers to tighten the cap nut.
6. Install the wind guard making sure that the arrow in point up.
7. Attach the gas line using a 1/4" flare fitting.

**Note:** This step should be performed by a licensed professional.



## Testing the gas lines for leaks

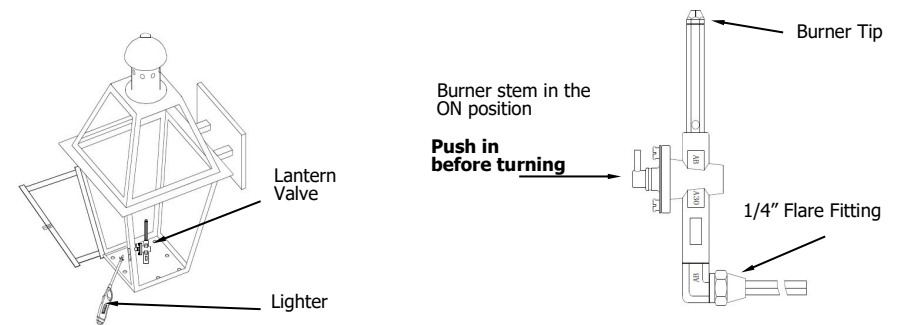
1. Make sure the gas valve is in the off position.
2. Turn on the main gas supply valve.
3. Using an approved testing solution, spray all gas connections and check for any visible gas leaks. This will normally be seen as bubbles.
4. Correct any gas leaks and retest before proceeding to the next step.

## Lighting Instructions

**Important note:** The gas valve stem must be depressed before turning.

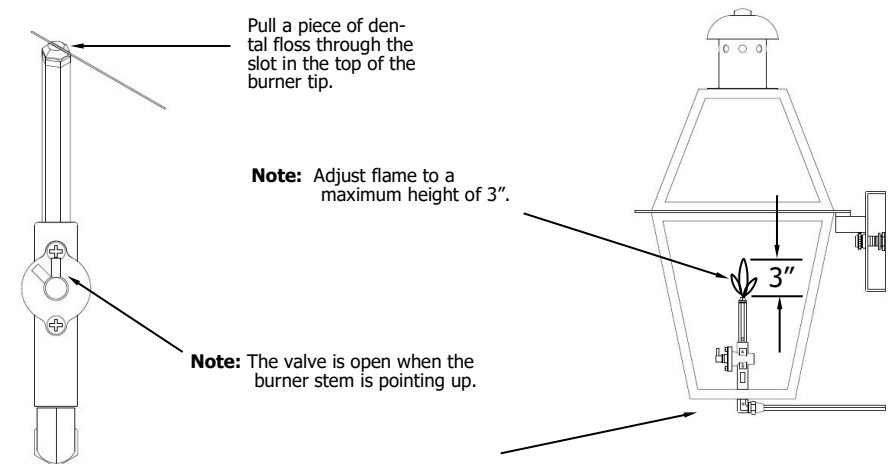
1. Turn on the main gas supply valve supplying gas to the lantern.
2. Turn the lantern valve to the on position.
3. Wait for approximately 2 minutes.
4. Turn the lantern valve off and wait for approximately 2 minutes.
5. Turn the lantern valve to the on position.
6. Using a long stem Bar-B-Q grille lighter, light the flame at the base of the burner tip and adjust the flame to height of no more than 3 inches.

**Note:** If the burner does not light, it may be necessary to purge the gas lines of air by repeating step 3. If the burner does not light, turn off the main gas supply valve and the burner valve. Call your local gas utility to assure you do not have any gas pressure problems or gas leaks.



## Maintenance for Gas Lanterns

It is recommended that the burner tip be cleaned every 6 months or more often depending on the quality of the gas that is being supplied by your gas utility company or if you are using propane or LP gas. This can be accomplished by using a piece of dental floss as shown below.



Two times each year, (every 6 months) inspect the air openings in the bottom of the lantern to assure the air openings in the bottom of the lantern open and free from debris.