

# LINEAR SUSPENSION

## Zhane Trio Suspension

### DESCRIPTION

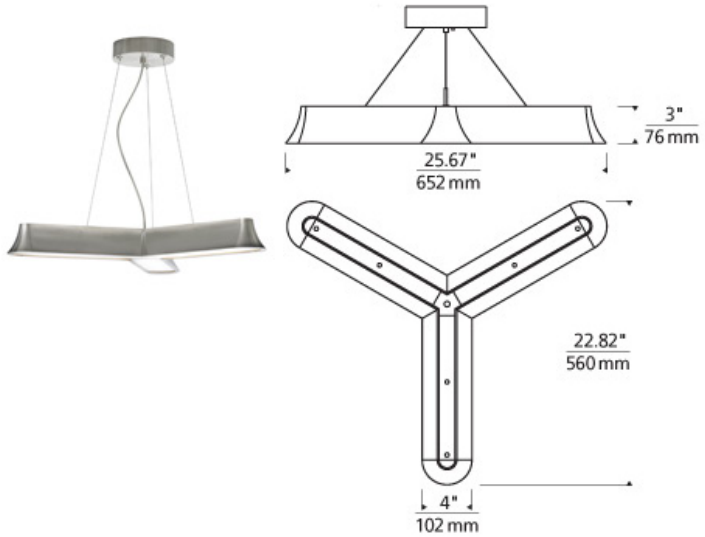
The ultra-modern Zhane Trio suspension has three straight, softly sculpted, tapered extensions that diverge from the middle in opposite directions. Sleek and elegant, this piece features a bottom acrylic diffuser which provides a glare-free wash of light from the LED light source in each of the three arms. Includes three 10 watt, 2600 lumen, 3000K field-replaceable LED modules. Fixture provided with 21 feet of field-cutttable cloth cord and twelve feet of aircraft cable. Dimmable with low-voltage electronic dimmer.

### INSTALLATION

This product can mount to either a 4" square electrical box with round plaster ring or an octagonal electrical box (not included).

### WEIGHT

8.56lb / 3.88kg ±



### ORDERING INFORMATION

700ZHNT FINISH

- B BLACK
- S SATIN NICKEL

LAMP

- LED LED 3000V 120V
- LED 3000V 277V
- LED277



**TECH LIGHTING®**

7400 Linder Avenue  
Skokie, Illinois 60077

T 847.410.4400  
F 847.410.4500

Tech Lighting, L.L.C.

700ZHNT \_\_\_\_\_

FIXTURE TYPE: \_\_\_\_\_

JOB NAME: \_\_\_\_\_

NOTES: \_\_\_\_\_



©2013 Tech Lighting, L.L.C. All Rights Reserved. The "Tech Lighting" graphic is a registered trademark of Tech Lighting, L.L.C. Tech Lighting reserves the right to change specifications for product improvements without notification.