

# LINE-VOLTAGE PENDANTS/SUSPENSION

## Fire Grande Pendant

### DESCRIPTION

Rich translucent glass surrounds a frost glass diffuser. Black, satin nickel, and white finish options highlighted with a satin nickel detail and clear cable; antique bronze finish includes antique bronze detail and brown cable. Includes 120 volt, 60 watt G9 base halogen lamp or 120 volt GU24 base 27 watt self-ballasted compact fluorescent lamp. Fixture provided with six feet of field-cutable cable Incandescent version dimmable with standard incandescent dimmer.

### INSTALLATION

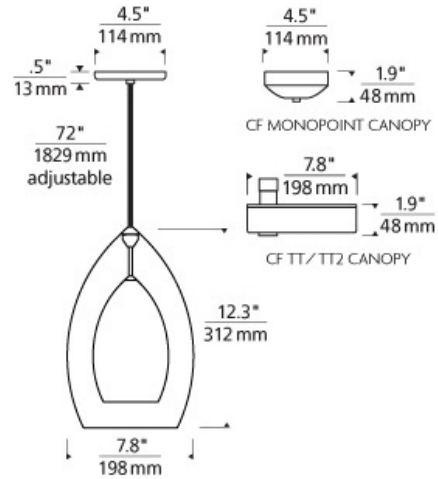
This product can mount to either a 4" square electrical box with round plaster ring or an octagon electrical box.

### WEIGHT

3.56lb / 1.61kg ±



steel blue



### COLOR OPTIONS



amber



clear



havana brown



smoke



steel blue

### ORDERING INFORMATION

700	SYSTEM	FIRGP	COLOR	FINISH	LAMP
TD	LINE-VOLTAGE PENDANTS/SUSPENSION		A AMBER	Z ANTIQUE BRONZE	INCANDESCENT 120V
TT	SINGLE-CIRCUIT T-TRAK		C CLEAR	B BLACK	-CF COMPACT FLUORESCENT 120V
TT2	TWO-CIRCUIT T-TRAK		N HAVANA BROWN	S SATIN NICKEL	
			K SMOKE	W WHITE	
			U STEEL BLUE		

For use on Halo\*, Juno\* or Lightolier\* 120 volt single-circuit track, Order pendant as **700TD** and order appropriate [120V Track Adapter](#).

\*Tech Lighting is not affiliated, nor is it endorsed by any of the companies listed nor does Tech Lighting distribute any of their products.



Tech Lighting, L.L.C.

700 \_\_\_\_ FIRGP \_\_\_\_

FIXTURE TYPE: \_\_\_\_\_

JOB NAME: \_\_\_\_\_

NOTES: \_\_\_\_\_

\_\_\_\_\_

\_\_\_\_\_