

Kable Lite Mini Surface Electronic Transformer**700KLMRT_****1.1****GENERAL PRODUCT INFORMATION:**

This product is ETL listed and suitable only for indoor dry locations and approved for use at any height above the finished floor.

A typical installation is shown. Specific installation must be in accordance with local electrical codes.

This product may be dimmed only with a low voltage electronic dimmer. Using a dimmer not designed for low voltage electronic applications may work initially, but could eventually cause transformer failure and will void the warranty. The dimmer must be derated as indicated by the dimmer manufacturer.

This product is intended for use with Tech Lighting low voltage lighting systems only.

Read all instructions thoroughly. Read "Important Safety Information" on page 3 before proceeding with the installation.

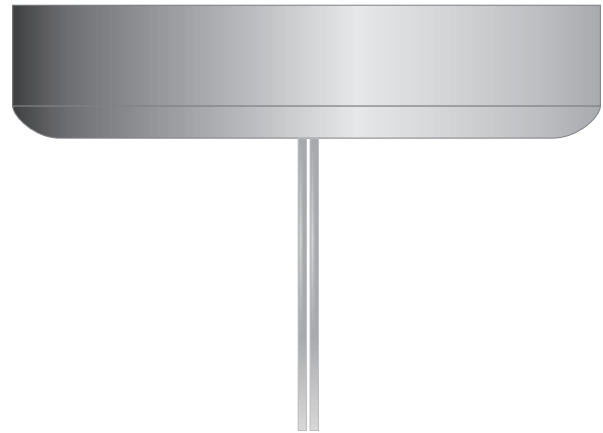
Important Safety Information

To reduce the risk of fire and burns, do not install this lighting system where the uninsulated open bus bar conductors can be shorted or contact any conductive materials.

When using a Power Extender, refer to the Power Extender instructions before performing any installations for this transformer.

To reduce the risk of the system overheating and possibly causing a fire, make sure all the connections are tight.

Do not install fixture assemblies closer than six inches to curtains or similarly combustible materials.

**CAUTION - RISK OF FIRE**

This product must be installed in accordance with the applicable installation code by a person familiar with the construction and operation of the product and the hazards involved.

Use minimum 90°C supply conductors.

SAVE THESE INSTRUCTIONS!

Turn the electrical power off before modifying the lighting system in any way.

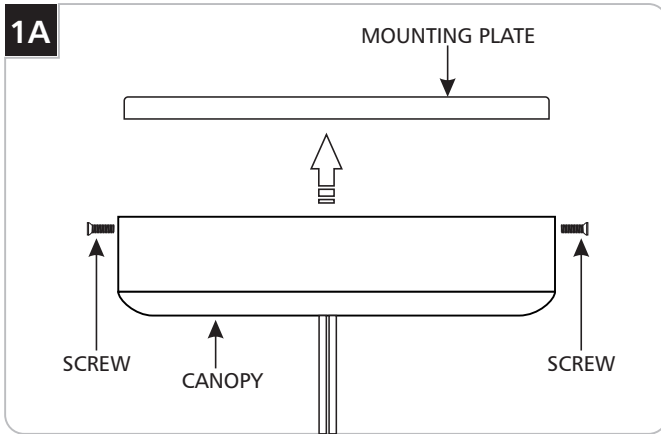
The fixtures used with the system must be identified for used with the corresponding system.

Minimum volume of the electrical box must be 6 cubic inches (98 cubic centimeter).

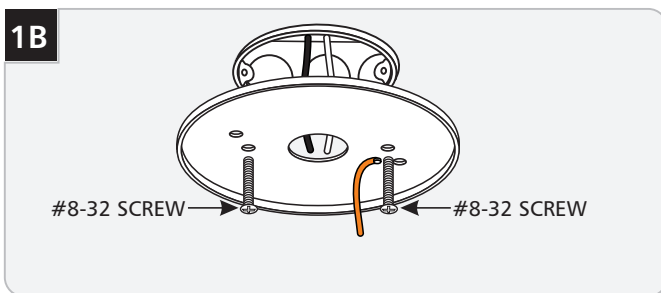
Load the circuit of the remote transformers to no more than the maximum rated capacity as specified.

To reset the electronic surface transformer, turn the power off then on (main power, breaker panel, or wall switch).

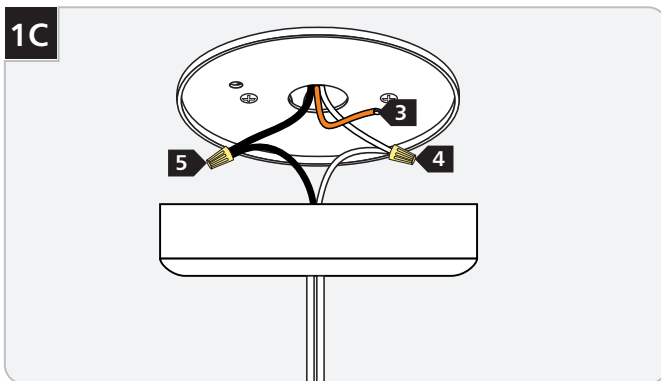
Install the Transformer



1 Separate the mounting plate from the transformer by removing the two screws.



2 Attach the mounting plate to the electrical box using the two #8-32 screws provided.

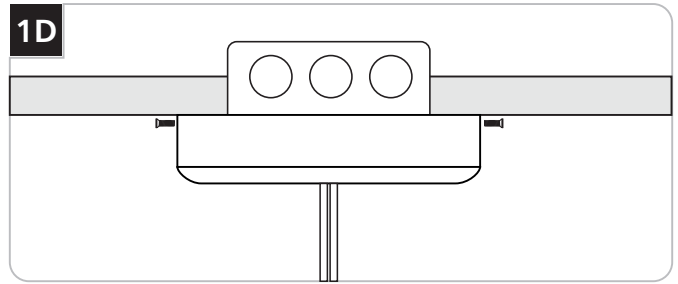


3 Connect the mounting plate ground wire to a suitable ground in accordance with local electrical codes.

4 Connect the white transformer wire to the neutral power line wire with a wire nut.

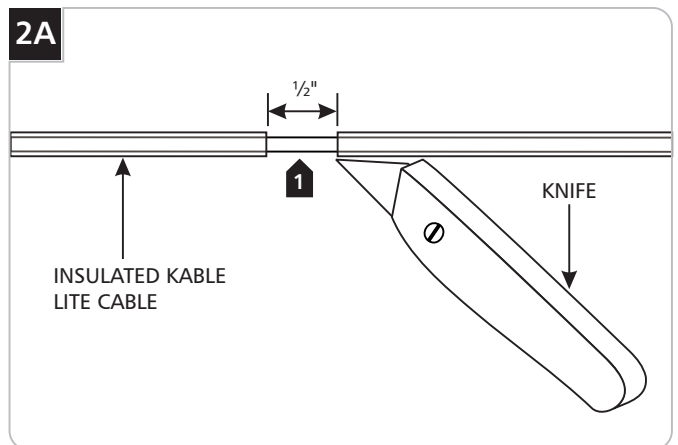
5 Connect the black transformer wire to the hot power line wire with a wire nut.

6 Place all wires and wire nut connections inside the electrical box.

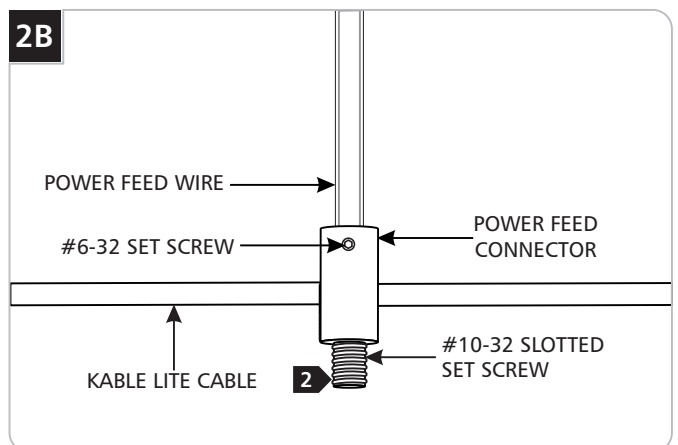


7 Reattach the transformer to the mounting plate by securing it with the two screws.

Connect the Transformer Wires Directly to Kable Lite Cables

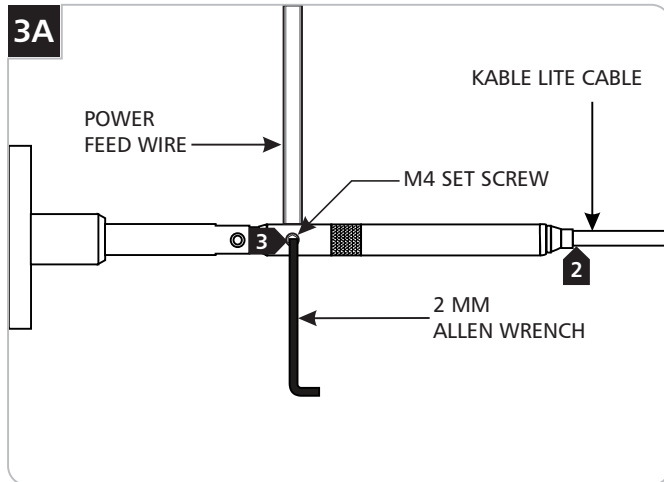


1 When using insulated Kable Lite cables, remove 1/2" of the insulation from each cable (where the power feed connector is going to be mounted) with a sharp knife. Make sure not to cut or nick the cable.



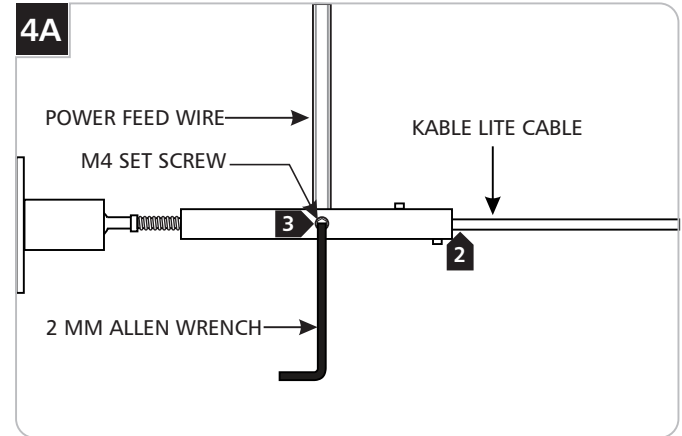
2 Unscrew the #10-32 slotted head set screw from the tip of the power feed connectors with a screwdriver. Place the power feed connectors one onto each Kable Lite cable and tighten the #10-32 slotted set screw on the tip with the screwdriver.

Connect the Transformer Wires to Universal Turnbuckles



- 1 Remove the power feed connector by loosening the #6-32 set screw with 1/16 Allen wrench (refer to 2B).
- 2 Feed the uninsulated portion of the power feed wire (one for each turnbuckle) into the turnbuckle hole.
- 3 Tighten the M4 set screw with the 2MM Allen wrench.

Connect the Transformer Wires to Slimline Turnbuckles



- 1 Remove the power feed connector by loosening the #6-32 set screw with 1/16 Allen wrench (refer to 2B).
- 2 Feed the uninsulated portion of the power feed wire (one for each turnbuckle) into the turnbuckle hole.
- 3 Tighten the M4 set screw with the 2MM Allen wrench.



7400 Linder Ave., Skokie, IL 60077

T 847.410.4400 | F 847.410.4500

www.techlighting.com