

Playa Compact Fluorescent Sconce

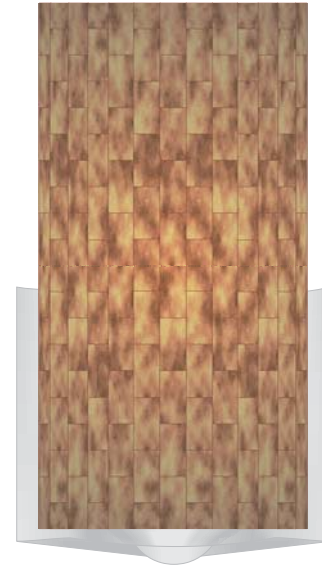
700WSPLA_-CF

1.1



GENERAL PRODUCT INFORMATION:

This product can mount to either a 4" square electrical box with round plaster ring or an octagon electrical box.

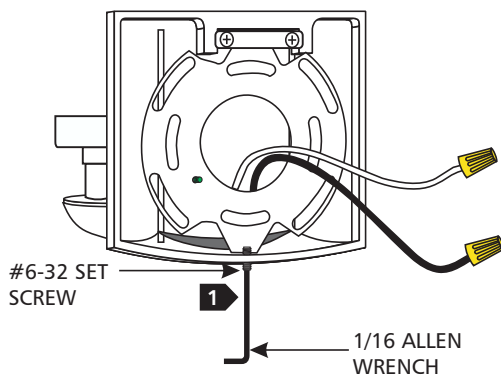


CAUTION — RISK OF FIRE

This product requires installation by a qualified electrician. Before installing be sure to read all instructions and **TURN THE POWER TO THE ELECTRICAL BOX OFF.**

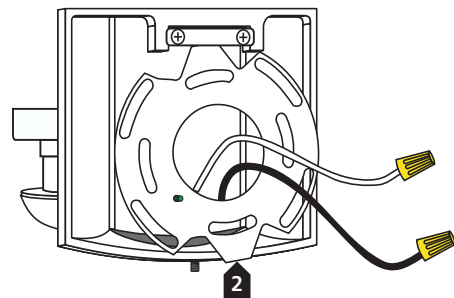
Remove the Mounting Plate from the Sconce Base

1A



1 Loosen (Do Not Remove) the #6-32 set screw at the base of the sconce with the provided 1/16 Allen wrench.

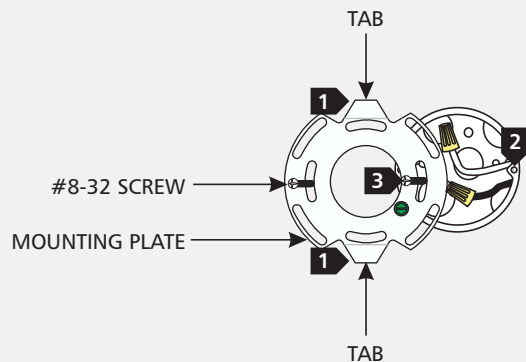
1B



2 Remove the mounting plate by pulling the bottom of the mounting plate out and then down.

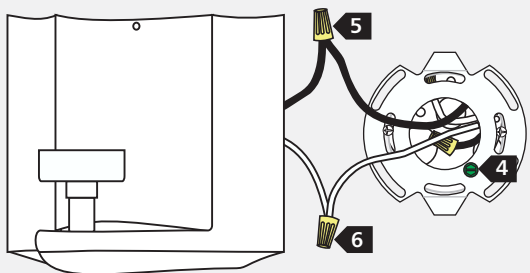
Mount the Sconce to the Electrical Box

2A



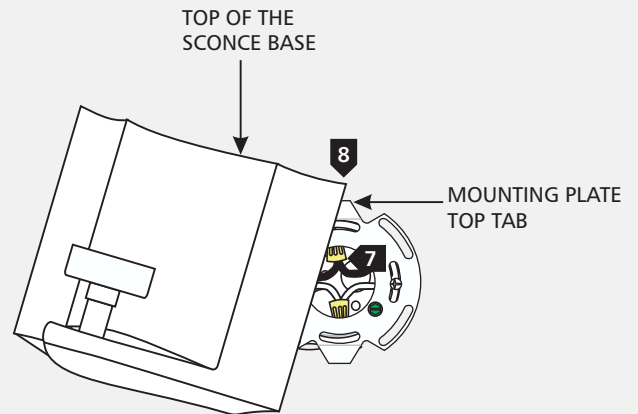
- 1 Make sure the two tabs on the mounting plate are positioned at the top and bottom of the plate.
- 2 Line up two mounting plate slots with the two electrical box holes.
- 3 Level the mounting plate vertically and secure it to the electrical box with the two #8-32 screws provided.

2B



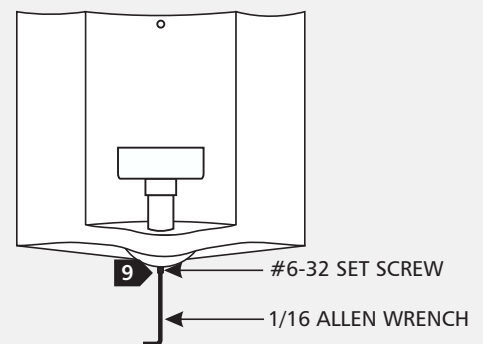
- 4 Make sure that the mounting plate is grounded in accordance with local electrical codes.
- 5 Connect the black sconce wire to the hot power line wire with a wire nut.
- 6 Connect the white sconce wire to the neutral power line wire with a wire nut.

2C



- 7 Place all wires and wire nut connections properly inside the electrical box.
- 8 Hook the top of the sconce base over the mounting plate top tab.

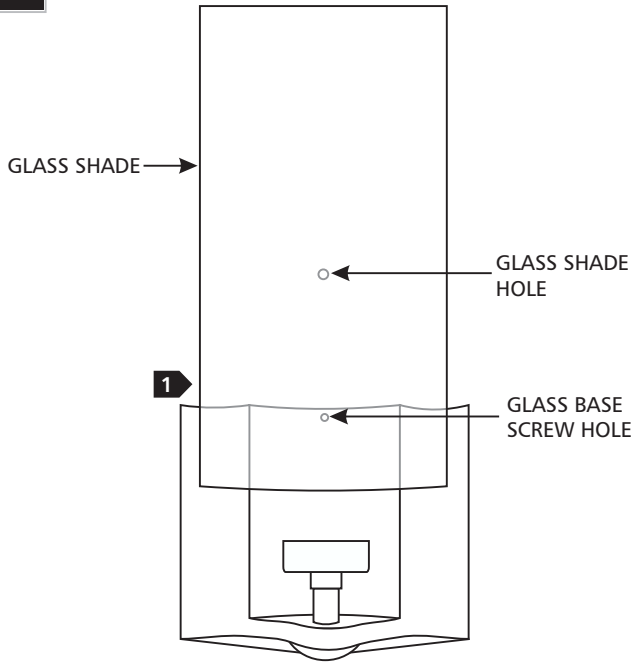
2D



- 9 Level the sconce vertically and secure it to the mounting plate by tightening the #6-32 set screw at the base of the sconce with the 1/16 Allen wrench.

Install the Glass Shade & lamp

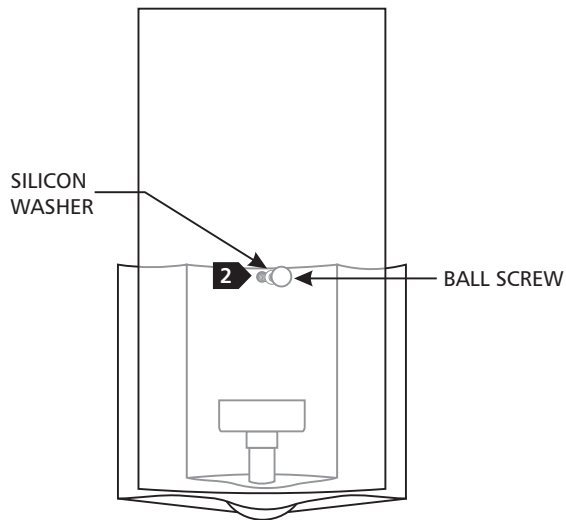
3A



CAUTION: To reduce the risk of a burn or electric shock during relamping, disconnect the power to the fixture by turning the wall switch off.

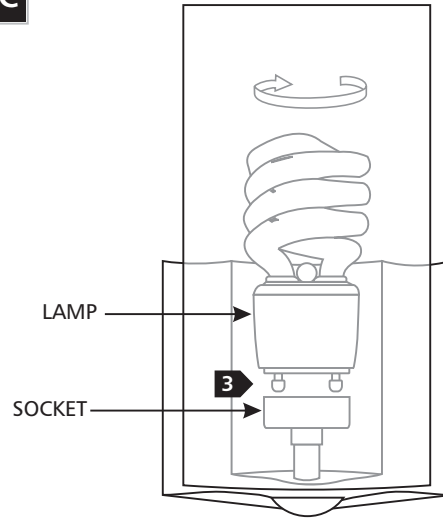
- 1 Carefully place the glass shade onto the scone base and line up the glass shade hole with the scone base screw hole.

3B



- 2 Tighten the provided ball screw and silicon washer through the glass shade hole into the scone base screw hole to secure the glass shade in place.

3C



Use **MAX** 120 Volt, **18** Watt Type GU24 Base Self Ballasted Spiral Compact Fluorescent Lamp.



- 3 Push the lamp pins into the large portion of the socket slots and rotate it clockwise to lock it in place securely.

SAVE THESE INSTRUCTIONS!

Statement of Warranty

Tech Lighting warrants all products manufactured to be free from defects in material and workmanship under normal use for 3 years after the date of original purchase. This warranty only applies when components, including power supplies, have been provided by Tech Lighting.

Upon confirmation of a defect or failure, at our discretion we will repair or replace the item or will refund your purchase price if repair or replacement is not possible or practical. Our warranty covers only the product itself; we will assume no liability for labor costs, installation costs, or other losses.



7400 Linder Ave, Skokie, IL 60077

847.410.4400

www.techlighting.com

© 2012 Tech Lighting, L.L.C. All rights reserved. The "Tech Lighting" graphic is a registered trademark of Tech Lighting, L.L.C. Tech Lighting reserves the right to change specifications for product improvements without notification.

A Generation Brands Company