



SCONCES

GENERAL PRODUCT INFORMATION:



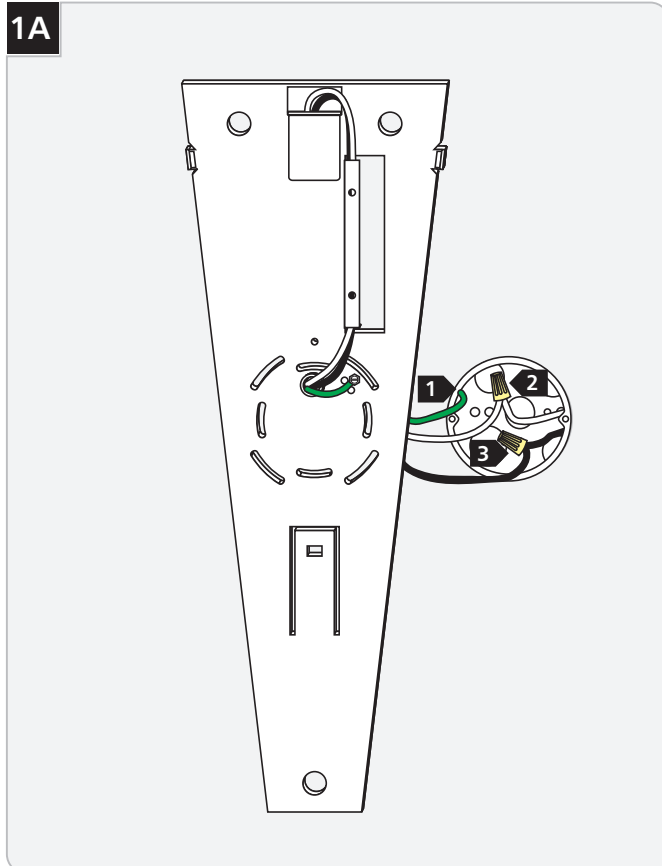
This product can mount to either a 4" square electrical box with round plaster ring or an octagon electrical box.

This product is suitable for damp locations.

This product can be dimmed with a standard incandescent dimmer.

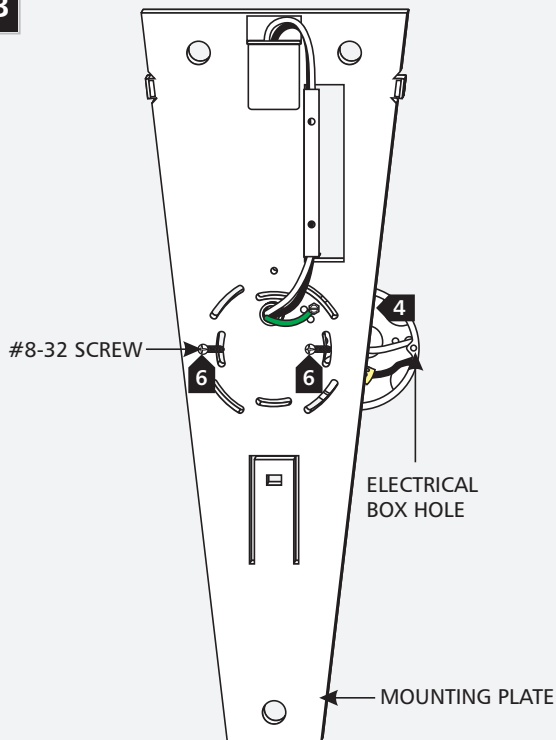


Mount the Sconce

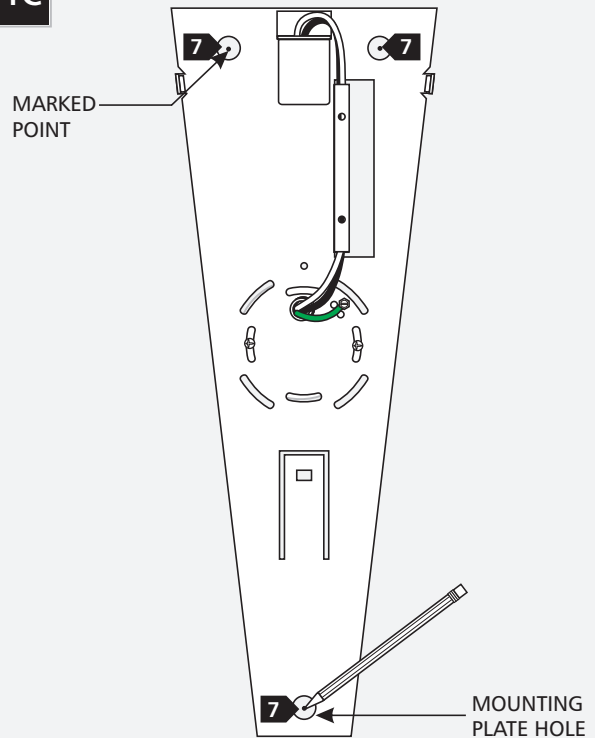


CAUTION—RISK OF FIRE
 This product requires installation by a qualified electrician. Before installing be sure to read all instructions and **TURN THE POWER TO THE ELECTRICAL BOX OFF.**

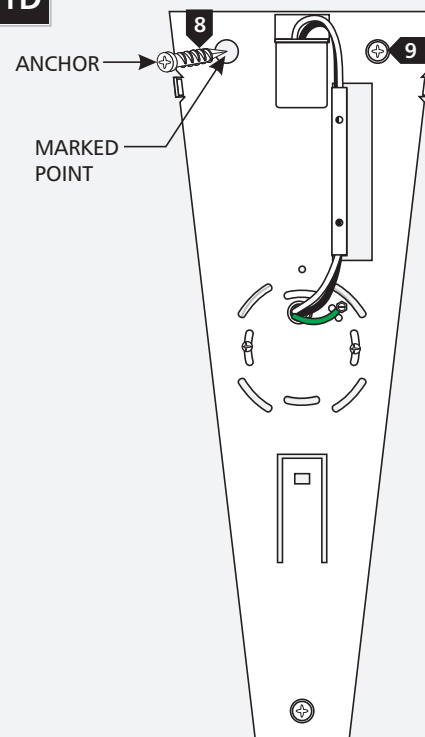
- 1 Ground the fixture to the electrical box in accordance with local electrical codes.
- 2 Connect the white fixture wire to the neutral 120 volt power line wire with a wire nut.
- 3 Connect the black fixture wire to the hot 120 volt power line wire with a wire nut.

1B

- 4** Properly place all wires and wire nut connections into the electrical box.
- 5** Line up two mounting plate slots with the two electrical box holes.
- 6** Level the mounting plate vertically and secure it to the electrical box with the two #8-32 screws.

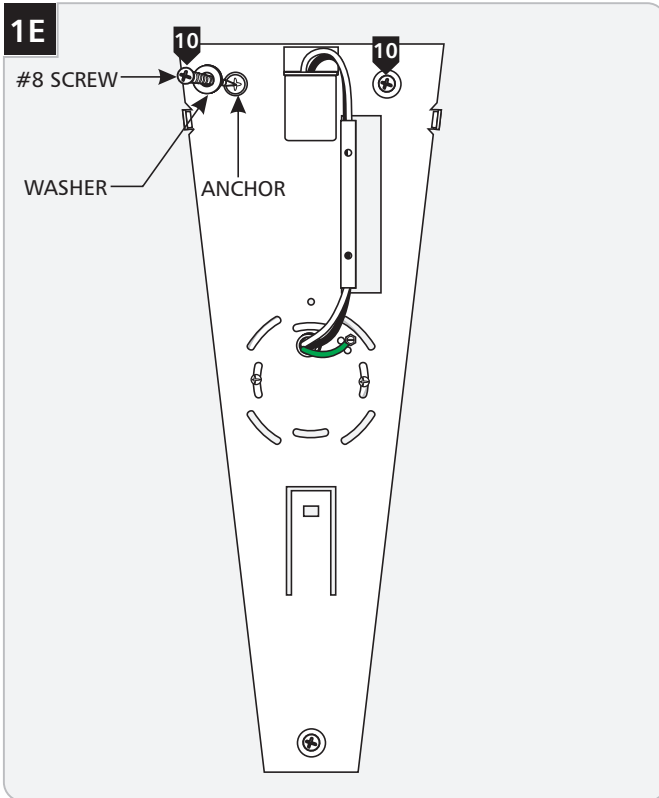
1C

- 7** Mark three points onto the wall through the mounting plate holes.

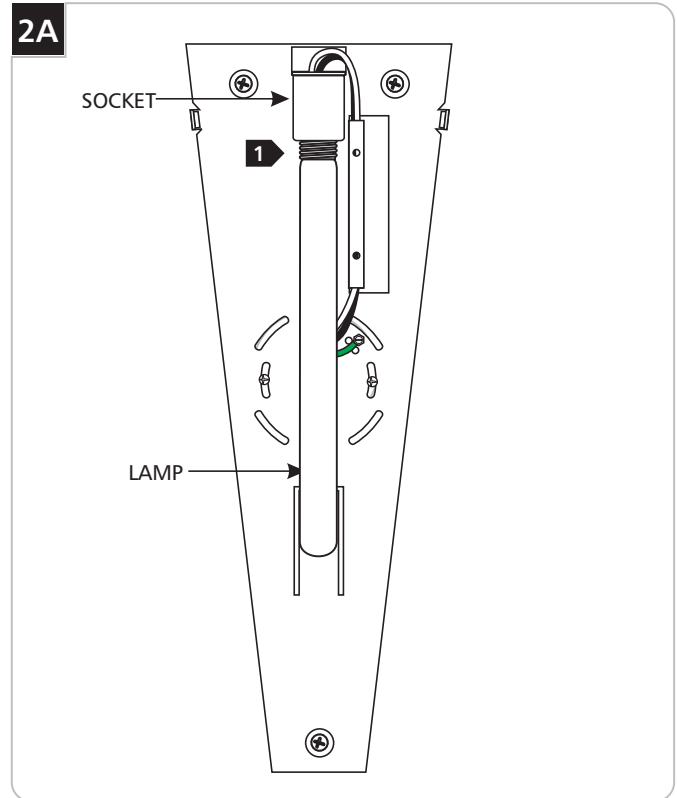
1D

- 8** With a hammer tap the three anchors at the marked points up to the threaded portion.
- 9** Screw the anchors in the rest of the way with a Phillips screwdriver.

Install the Lamp & Glass Shade



- 10** Secure the mounting plate to the anchors with the #8 screws and washers.

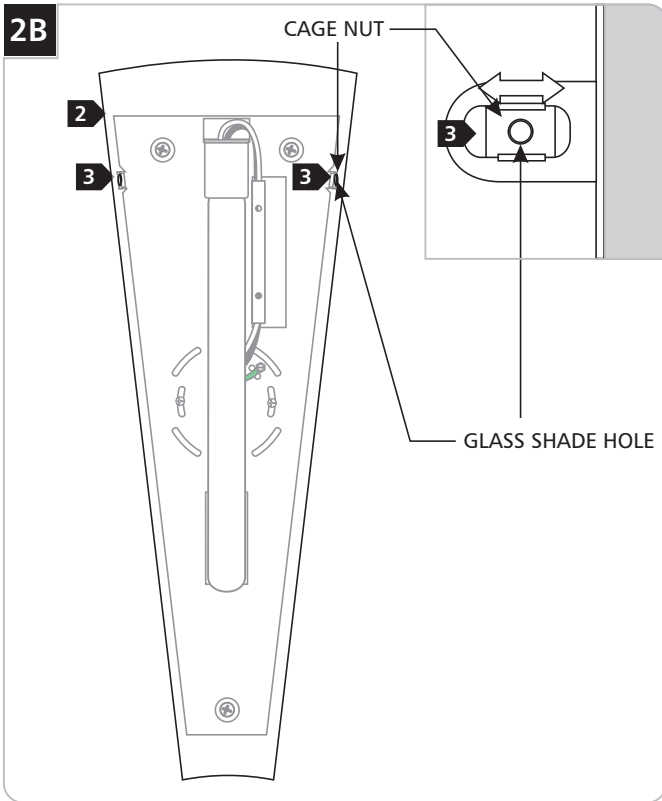


CAUTION: To reduce the risk of a burn or electric shock during relamping, disconnect the power to the fixture by turning the wall switch off.

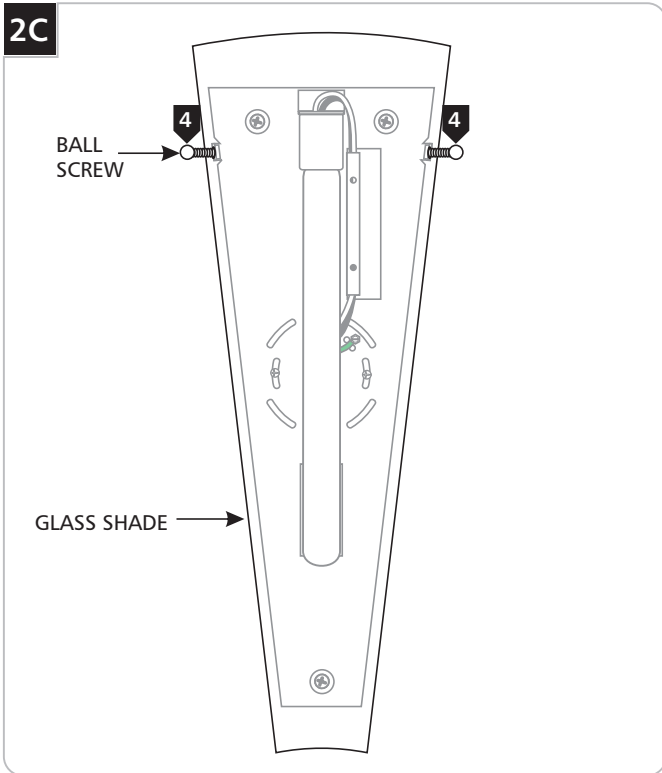
Use **MAX** 120 Volt, **75** Watt Type T8 Medium Base Lamp.



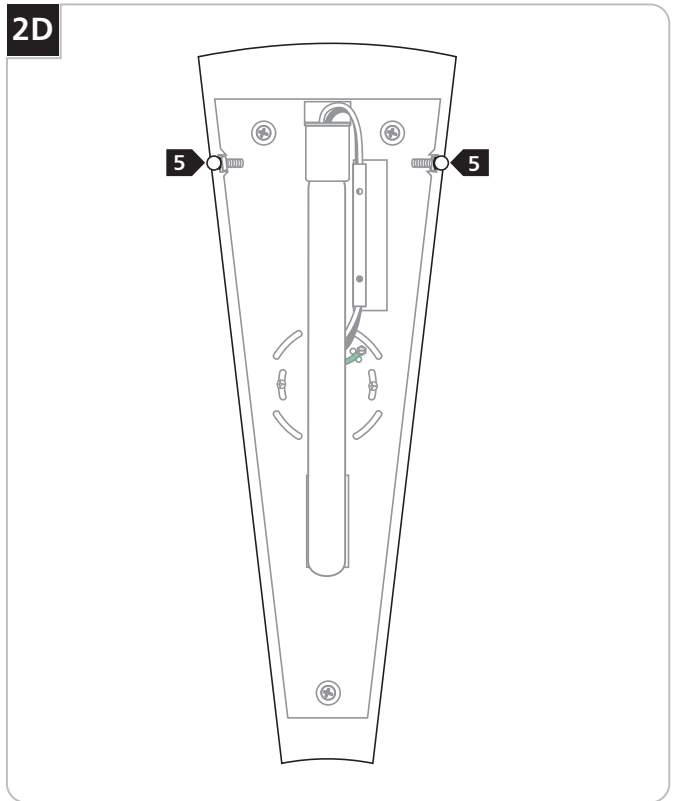
- 1** Screw the lamp completely into the socket.



- 2 Place the glass shade over the mounting plate against the wall.
- 3 Slide the cage nuts aligning their holes with the glass shade holes.



- 4 Slightly screw (**Do Not Tighten**) the ball screws through the glass shade holes into the cage nut holes so that the glass shade is held in place.



- 5 Firmly push the glass against the wall and finish tightening the ball screws.

SAVE THESE INSTRUCTIONS!



7400 Linder Ave, Skokie, IL 60077
847.410.4400

www.2thousanddegrees.com

© 2008 Tech Lighting, L.L.C. All rights reserved. The "2thousand degrees" graphic is a registered trademark of 2thousand degrees. 2thousand degrees reserves the right to change specifications for product improvements without notification.

A Generation Brands Company