

Larkspur Compact Fluorescent Suspension

700LRKS_-CF

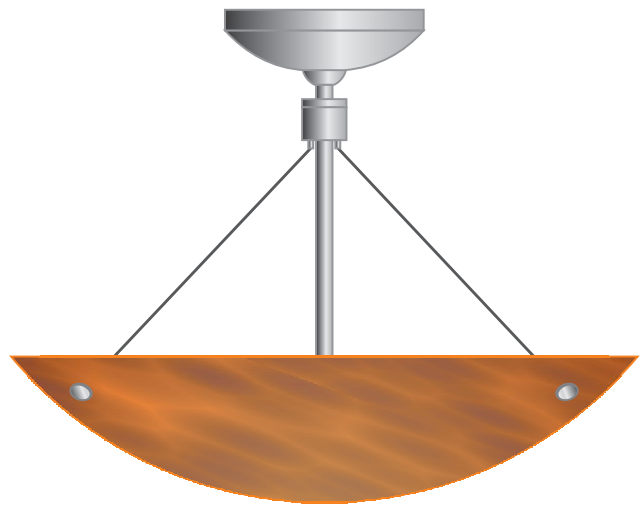
1.4



CHANDELIERS

GENERAL PRODUCT INFORMATION:

This product is suitable for damp locations.

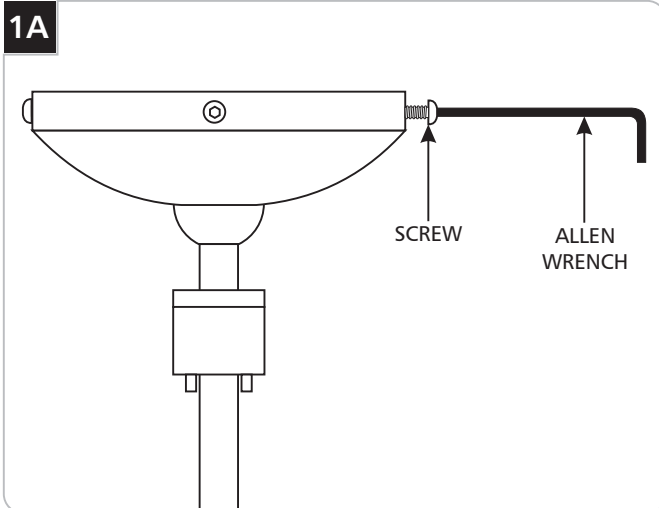


CAUTION—RISK OF FIRE

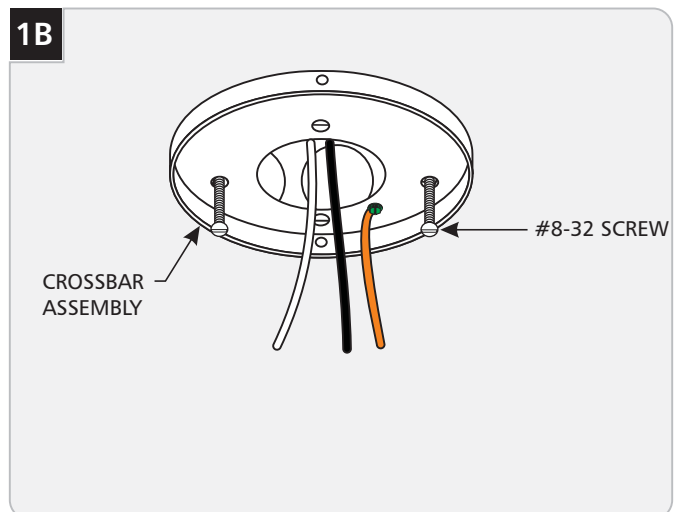
This product requires installation by a qualified electrician. Before installing be sure to read all instructions and **TURN THE POWER TO THE ELECTRICAL BOX OFF.**

NOTE: This canopy may be installed to sloped ceilings with **MAX 45°** tilt.

Install the Cross Bar



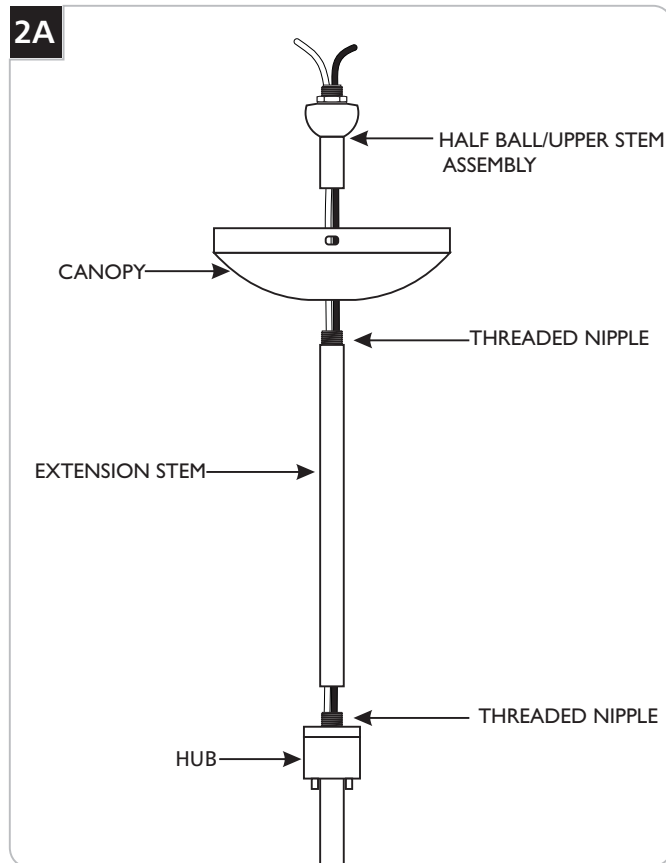
1 Separate the crossbar from the canopy by removing all four screws with the Allen wrench provided.



2 Mount the crossbar to the electrical box with the two #8-32 screws provided.

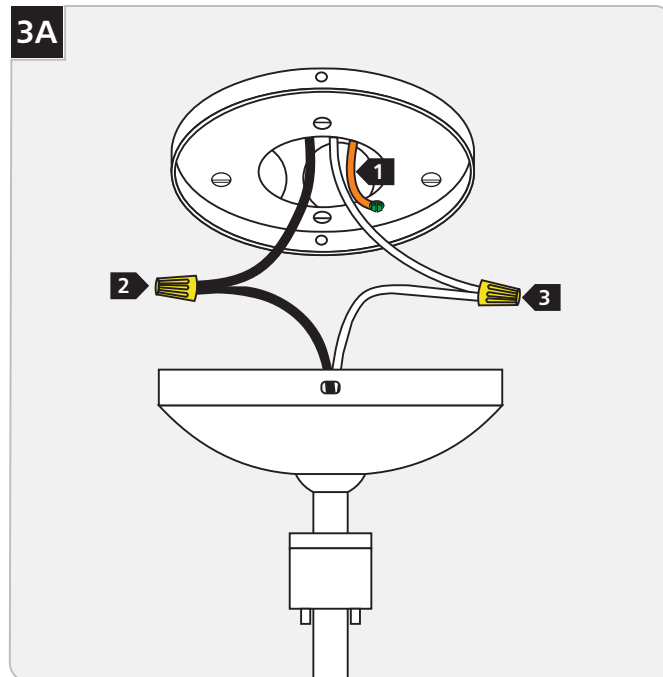
Adjust the Fixture Height (Optional)

NOTE: Additional length fixtures require the installation of an extension stem.

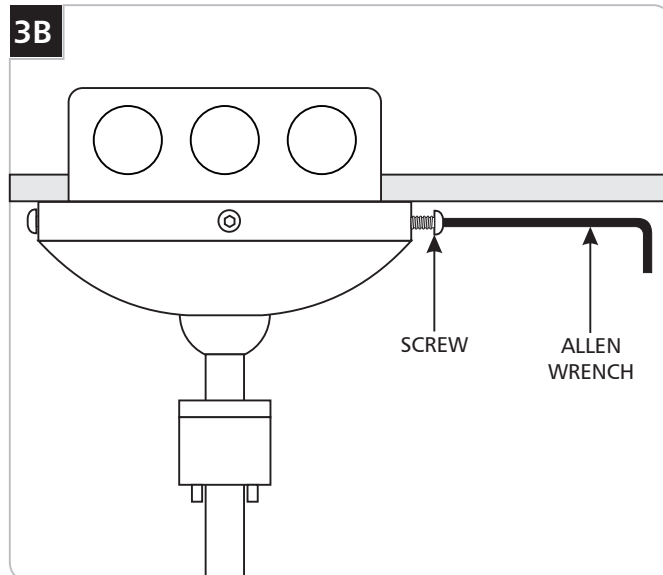


- 1 Temporarily remove the canopy and half ball/upper stem assembly by unscrewing it from the hub and pulling the fixture wires through.
- 2 Feed the fixture wires through the optional extension stem(s) and tighten completely to the threaded nipple on the hub.
- 3 Feed the fixture wires through the canopy and half ball/upper stem assembly and tighten completely to the threaded nipple on the new extension stem.

Install the Fixture

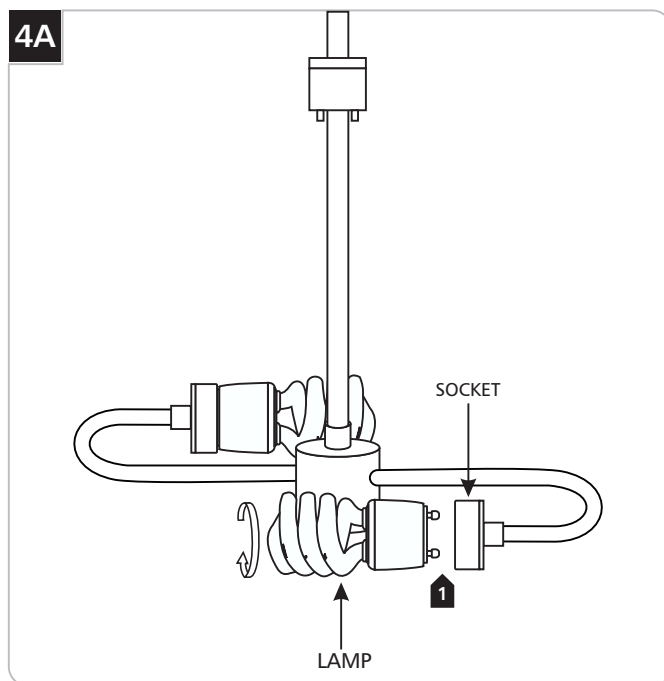


- 1 Connect the fixture to a suitable ground in accordance with local electrical codes.
- 2 Connect the black fixture wire to the hot power line wire with a wire nut.
- 3 Connect the white fixture wire to the neutral power line wire with a wire nut.



- 4 Place all wire and wire nut connections inside the electrical box.
- 5 Align the canopy holes with the crossbar holes. Secure the canopy in place by tightening the four screws with the provided Allen wrench.

Install the Lamp



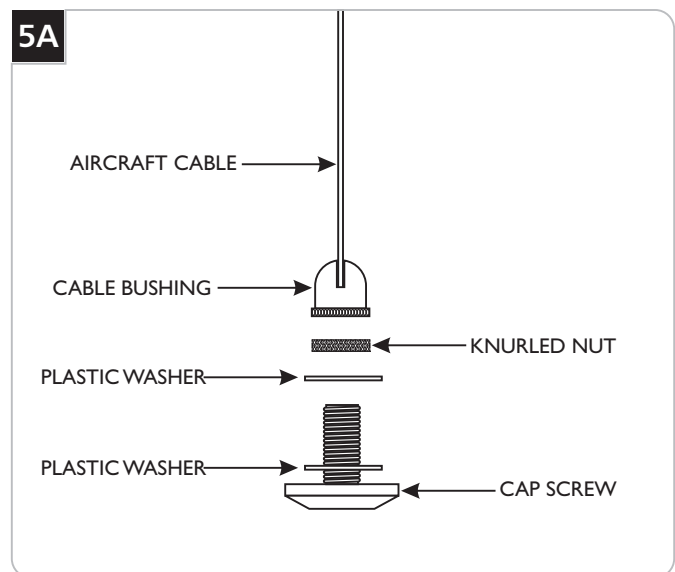
CAUTION: To reduce the risk of a burn or electric shock during relamping, disconnect the power to the fixture.

Use **MAX** 120 Volt, 27 Watt Type GU24 Base Self Ballasted Spiral Compact Fluorescent Lamp With Each Socket.

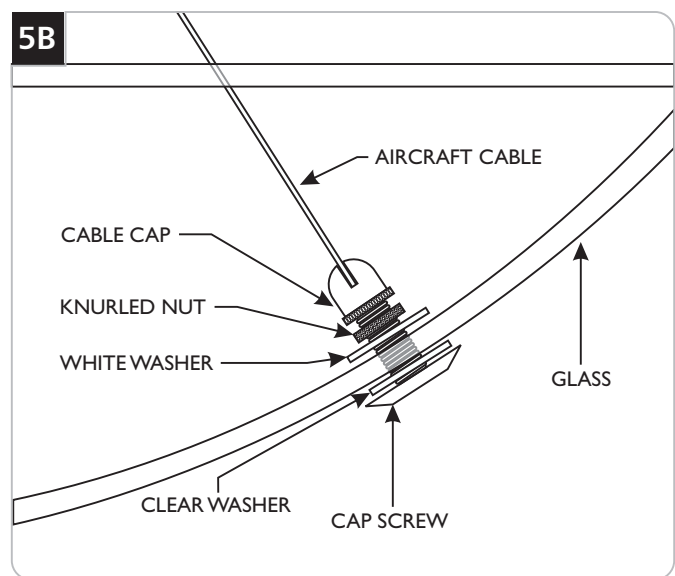


- 1 Push the lamp pins into the large portion of the socket slots and rotate it clockwise to lock it in place securely.

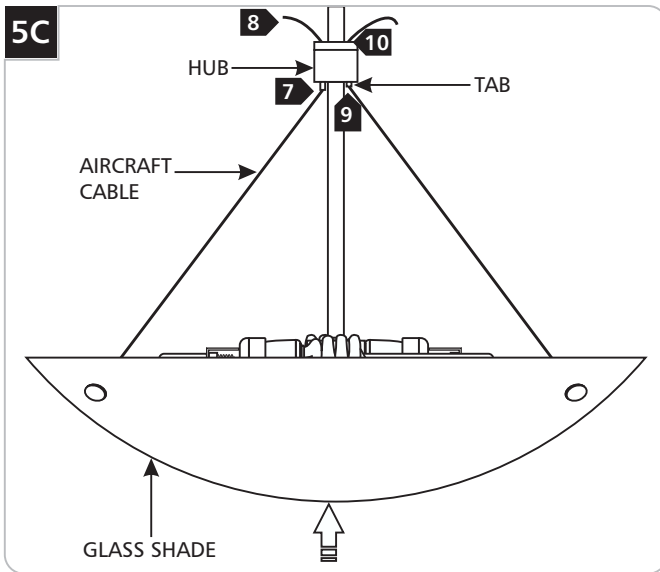
Install the Glass



- 1 Remove the cap screw from the cable bushing.
- 2 Remove the knurled nut and one of the washers from the cap screw.



- 3 From outside of the glass, insert the cap screw with a washer through one hole.
- 4 Place the other washer onto the cap screw and finger-tighten the knurled nut to secure the cap screw in place.
- 5 Screw the cable cap completely onto the cap screw.
- 6 Repeat steps 1 through 5 for the remaining glass shade holes.



NOTE: Make sure to support the glass shade while adjusting the aircraft cables to position it in place as described in the steps below.

- 7** Feed the aircraft cables through the cable clutches in the hub.
- 8** Pull the aircraft cable up behind the hub to raise the glass. Make sure that the glass is at least 3.5" away from the lamp, but high enough to cover the lamp.
- 9** To lower the glass shade, push the cable clutch in and pull the aircraft cable down.
- 10** When the glass is in the desired position, trim the excess aircraft cable behind the hub.

NOTE: To replace the lamps, simply reach the lamp from top of the glass shade. **DO NOT REMOVE THE GLASS SHADE.**

SAVE THESE INSTRUCTIONS!

Statement of Warranty

Tech Lighting warrants all products manufactured to be free from defects in material and workmanship under normal use for 3 years after the date of original purchase. This warranty only applies when components, including power supplies, have been provided by Tech Lighting. Upon confirmation of a defect or failure, at our discretion we will repair or replace the item or will refund your purchase price if repair or replacement is not possible or practical. Our warranty covers only the product itself; we will assume no liability for labor costs, installation costs, or other losses.



7400 Linder Ave, Skokie, IL 60077
847.410.4400

www.techlighting.com

© 2008 Tech Lighting, L.L.C. All rights reserved. The "Tech Lighting" graphic is a registered trademark of Tech Lighting, L.L.C. Tech Lighting reserves the right to change specifications for product improvements without notification.

A Generation Brands Company