



GENERAL PRODUCT INFORMATION:

This product is suitable for damp locations.



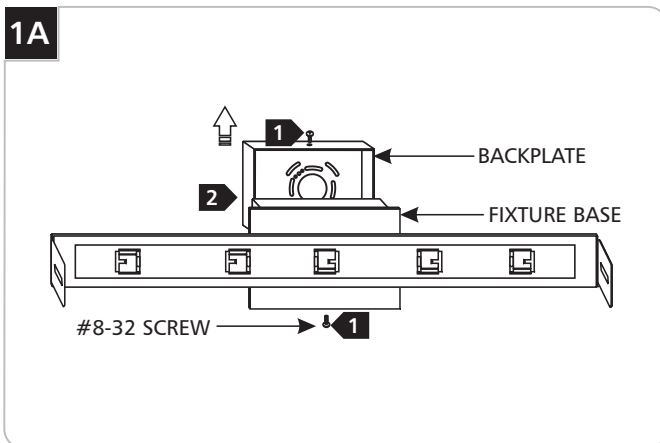
This product can mount to either a 4" square electrical box with round plaster ring or an octagon electrical box.

This product can be dimmed with a standard incandescent dimmer.

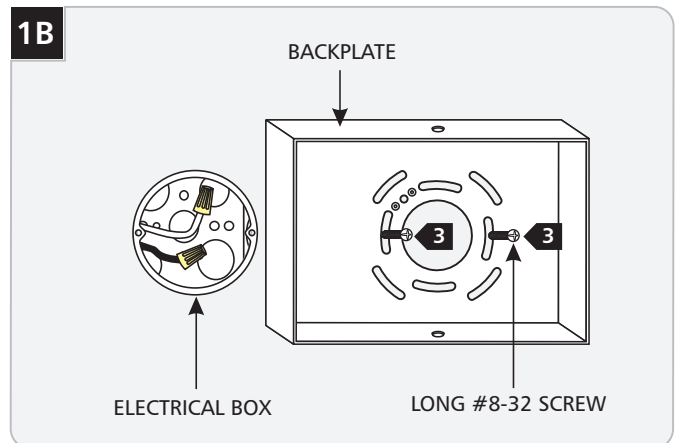
CAUTION — RISK OF FIRE

This product requires installation by a qualified electrician. Before installing be sure to read all instructions and **DISCONNECT POWER TO THE ELECTRICAL BOX.**

Install the Backplate

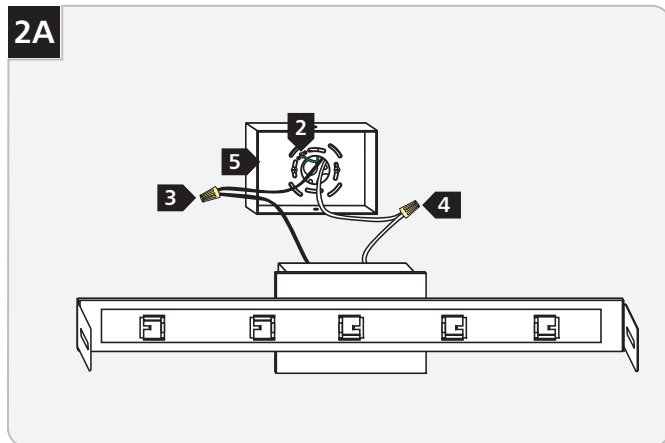


- 1** Remove the two #8-32 screws on the backplate with a Phillips head screwdriver.
- 2** Remove the backplate from the fixture base.

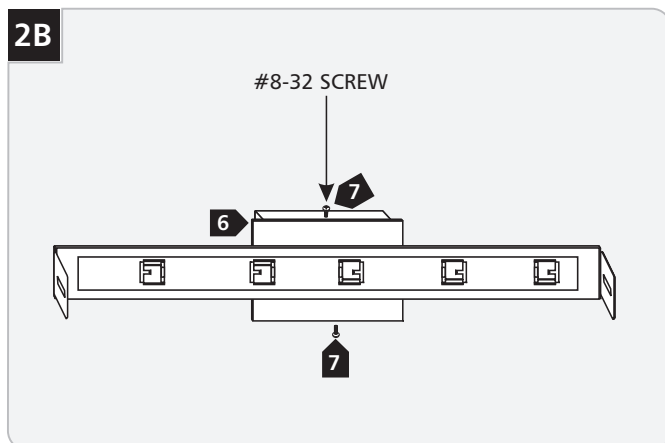


- 3** Mount the backplate to the electrical box with two long #8-32 screws.

Connect the Power

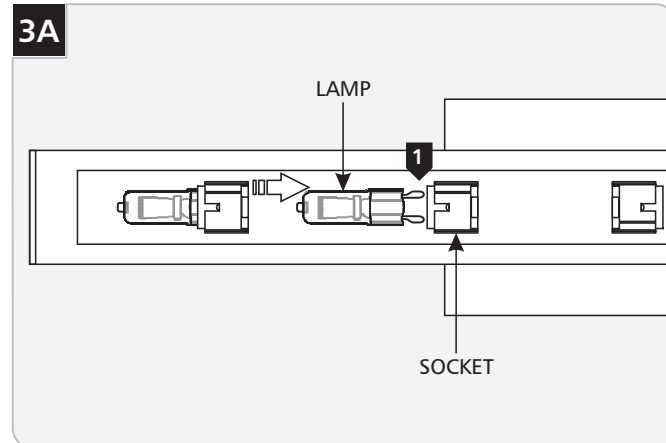


- 1 Turn the power to the electrical box off.
- 2 Make sure that the backplate is grounded in accordance with local electrical codes.
- 3 Connect the black fixture wire(s) to the hot power line wire with a wire nut.
- 4 Connect the white fixture wire(s) to the neutral power line wire with a wire nut.
- 5 Properly place all wires into the backplate.



- 6 Place the fixture base onto the backplate and align the holes.
- 7 Replace and tighten the #8-32 screws.

Install the Lamps and Shade

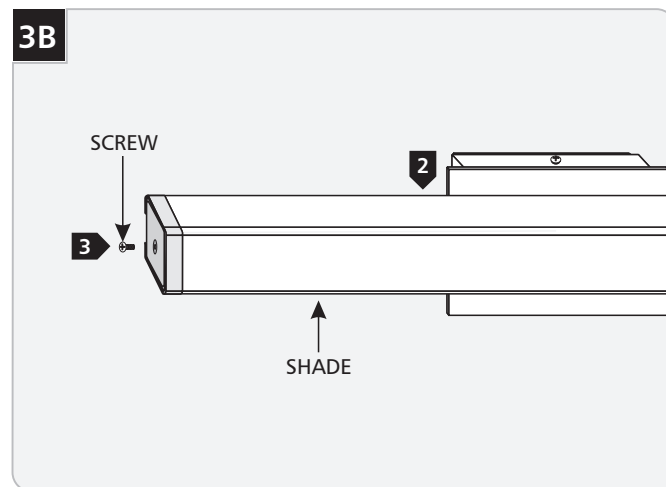


CAUTION: To reduce the risk of a burn or electric shock during relamping, disconnect the power to the fixture by turning the wall switch off.

Use **MAX** 120 Volt, **40 Watt** G9 type, G9 base Halogen lamp with each socket.



- 1 Push each lamp completely into its socket.



- 2 Carefully slide the shade onto the fixture base.
- 3 Install the screws to the ends of the shade to hold the shade in place.

SAVE THESE INSTRUCTIONS!



TECH LIGHTING®

7400 Linder Ave, Skokie, IL 60077

847.410.4400

www.techlighting.com

© 2008 Tech Lighting, L.L.C. All rights reserved. The "Tech Lighting" graphic is a registered trademark of Tech Lighting, L.L.C. Tech Lighting reserves the right to change specifications for product improvements without notification.

A Generation Brands Company