

Corva Bath

700WSCRWW_

1.2



WALL COLLECTION

GENERAL PRODUCT INFORMATION:



This product can mount to either a 4" square electrical box with round plaster ring or an octagon electrical box.

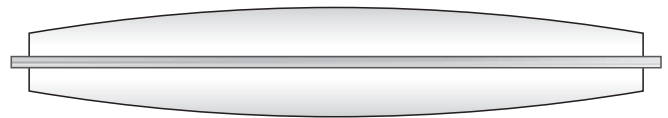
This product is suitable for damp locations.

This product can be dimmed with a standard incandescent dimmer.

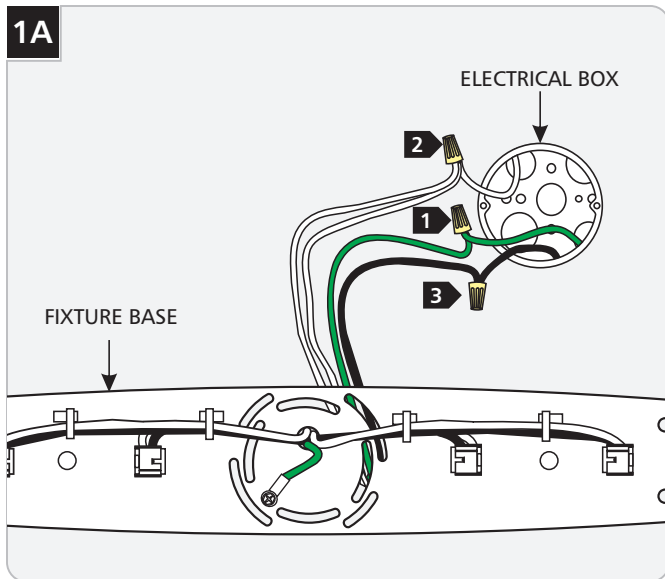
This product can be mounted vertically or horizontally.

CAUTION—RISK OF FIRE

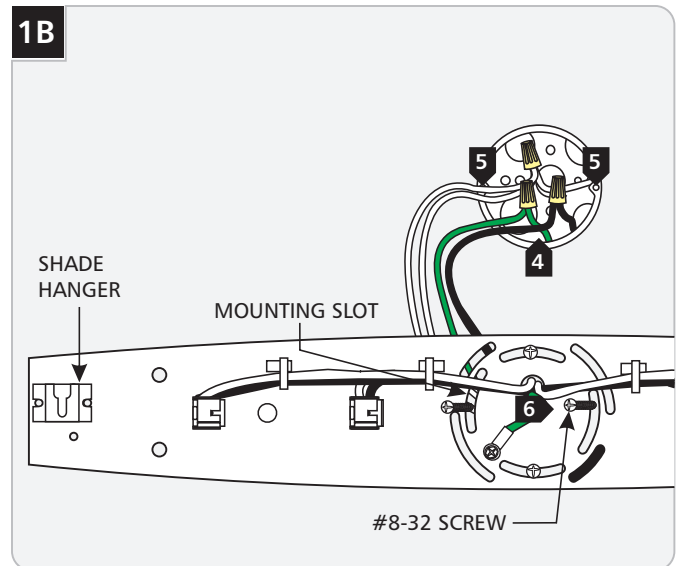
This product requires installation by a qualified electrician. Before installing be sure to read all instructions and **TURN THE POWER TO THE ELECTRICAL BOX OFF.**



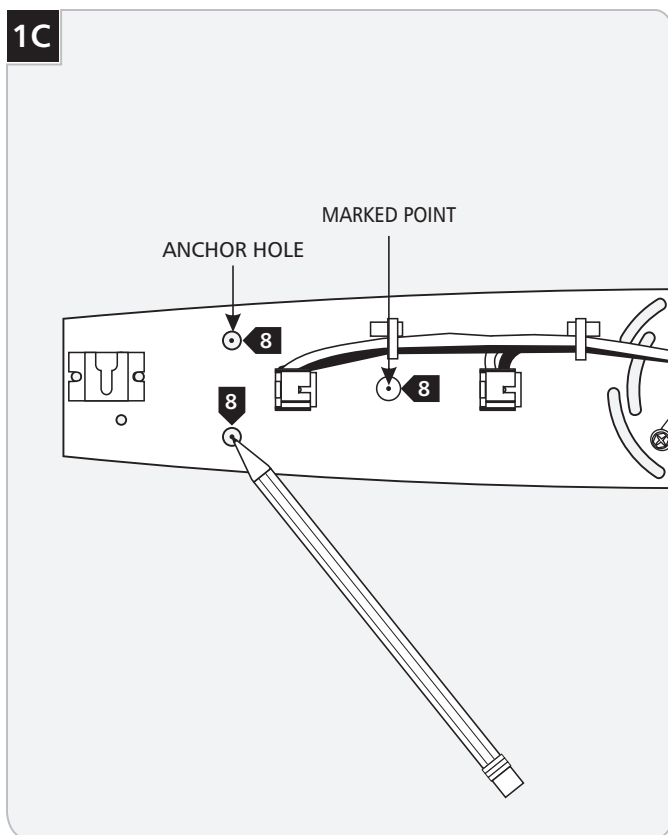
Install the Fixture Base



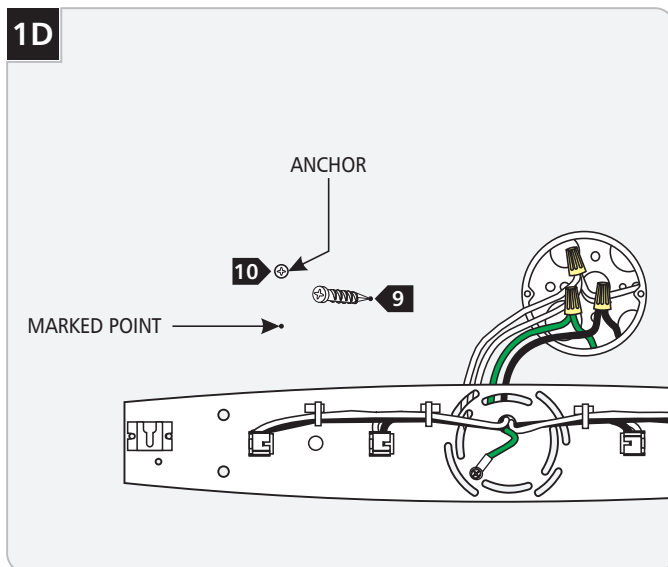
- 1 Connect the green ground wire to a suitable ground in accordance with local electrical codes.
- 2 Connect the white lamp wires to the neutral 120 volt electrical box wire with a wire nut.
- 3 Connect the black lamp wires to the hot 120 volt electrical box wire with a wire nut.



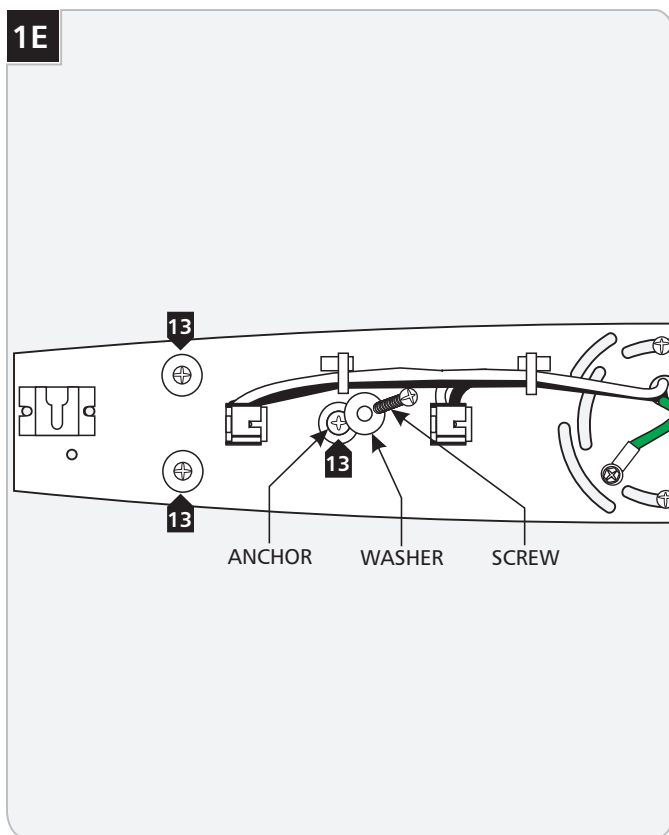
- 4 Feed the wires and wire nut connections into the electrical box.
- 5 Line up two mounting slots with the two electrical box holes.
- 6 Level the mounting plate and secure it to the electrical box with the two Long #8-32 screws provided.

1C

- 7** Verify that the fixture is level before continuing.
- 8** Mark points on the wall at the center of all six anchor holes.

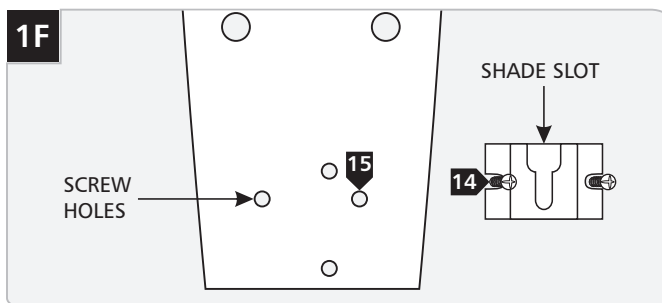
1D

- 9** Line an anchor tip with a marked point, and push the anchor into the wall up to the threads.
- 10** Screw the anchor in the rest of the way with a Phillips-head screwdriver.
- 11** Repeat for all six marked points.

1E

- 12** Remount the fixture base to the electrical box.
- 13** Slide the #8 screws through the washers, and screw them into the anchors to secure the fixture base to the wall.

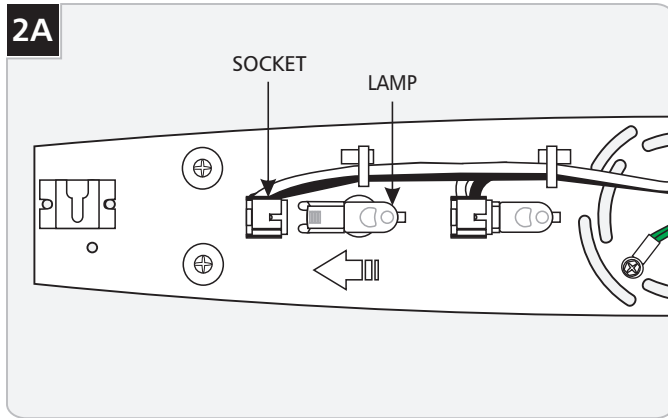
If Mounting Vertically

1F

- 14** Unscrew the shade hangers from the fixture base.
- 15** Screw the shade hangers into the other screw holes, making sure the shade slots point upward.

Install the Lamps and Glass Shade

2A



CAUTION: To reduce the risk of a burn or electric shock during relamping, disconnect the power to the fixture.

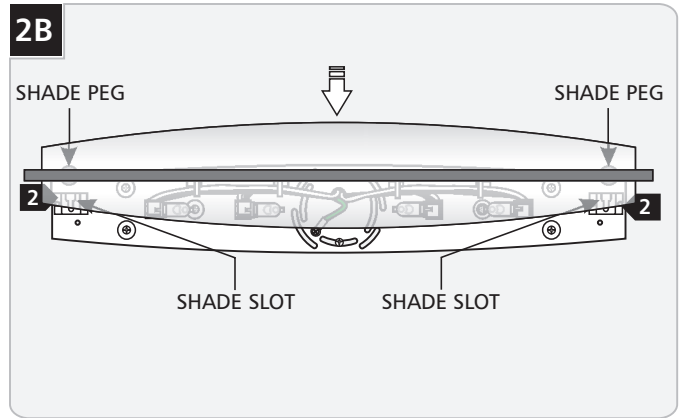
NOTE: Use only your fingers to replace the lamp.

Use **MAX** 120 Volt, **40 Watt** Type T4, G9 Base Bi-Pin Halogen Lamp.



- 1 Push the lamp base completely into the socket. Repeat for all four lamps.

2B



- 2 Carefully slide the shade pegs into the slots.

NOTE: The shade pegs can be adjusted if they don't align properly with the slots.

SAVE THESE INSTRUCTIONS!



7400 Linder Ave, Skokie, IL 60077

847.410.4400

www.techlighting.com

© 2008 Tech Lighting, L.L.C. All rights reserved. The "Tech Lighting" graphic is a registered trademark of Tech Lighting, L.L.C. Tech Lighting reserves the right to change specifications for product improvements without notification.

A Generation Brands Company