

# Compact Fluorescent Larkspur Pendant

700TDLRKP\_CF

1.9

**2** thousand  
degrees™

PENDANTS

## GENERAL PRODUCT INFORMATION:

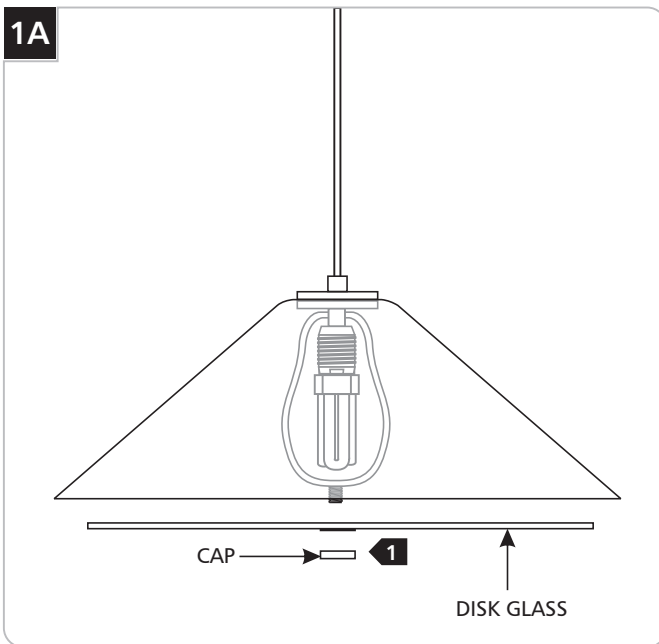


This product is suitable for damp locations.

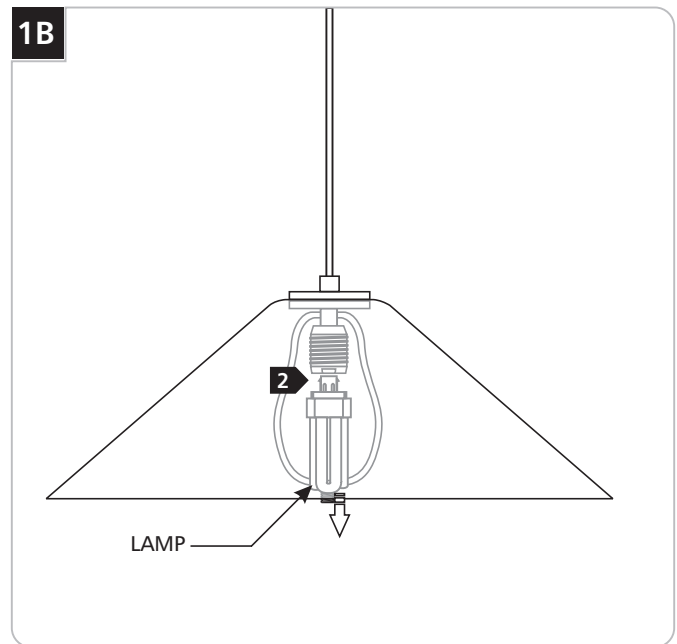


## Installing the Disk Glass & Lamp

**CAUTION:** To reduce the risk of a burn or electric shock during relamping, disconnect the power to the fixture.

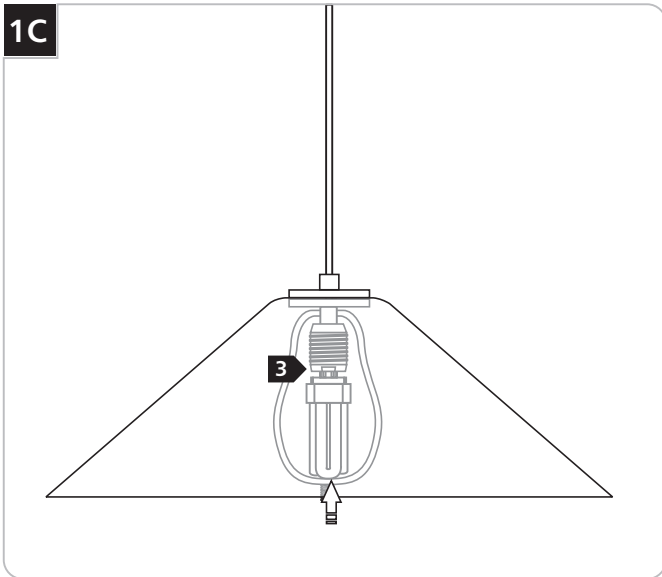


**1** Loosen the cap and carefully remove the disk glass to expose the socket.



**2** Carefully pull out the old lamp.

1C

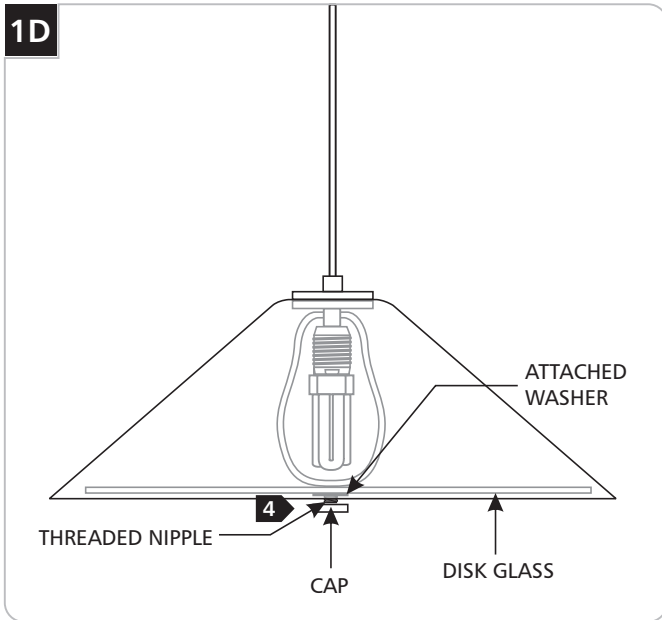


Use **MAX 18** Watt GX24Q-2 base Triple Tube Compact Fluorescent lamp.



**3** Push the new lamp pins firmly all the way into the socket holes.

1D



**4** Replace the disk glass and fasten the cap to the threaded nipple tight to secure the disk glass properly in place.

**SAVE THESE INSTRUCTIONS!**



7400 Linder Ave, Skokie, IL 60077  
847.410.4400

[www.2thousanddegrees.com](http://www.2thousanddegrees.com)

© 2008 Tech Lighting, L.L.C. All rights reserved. The "2thousand degrees" graphic is a registered trademark of 2thousand degrees. 2thousand degrees reserves the right to change specifications for product improvements without notification.

A Generation Brands Company