

Lexington Pendant

700TDLEXP_

2.0



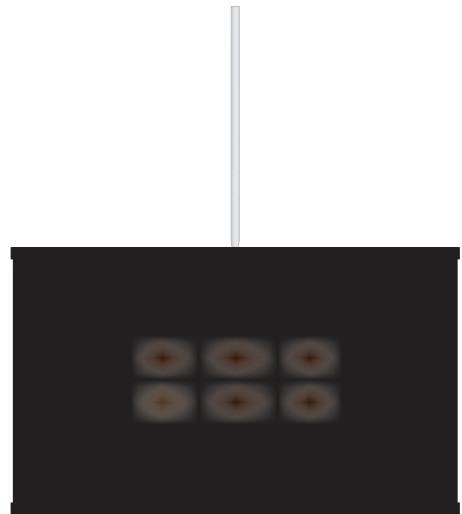
GENERAL PRODUCT INFORMATION:



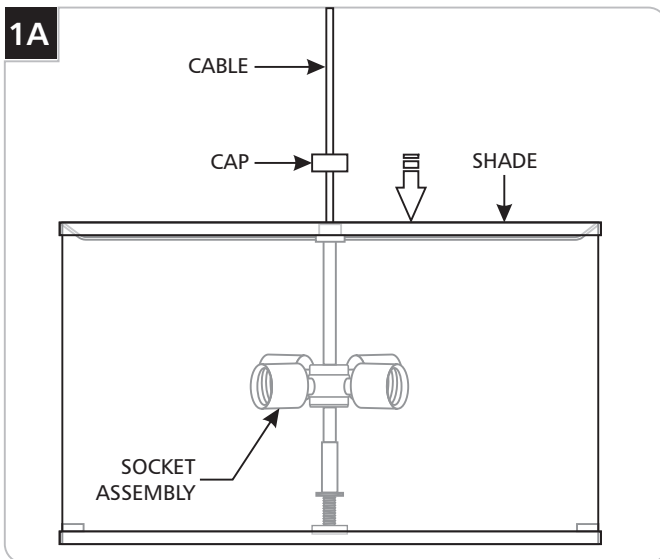
This product is suitable for damp locations.

This product can be dimmed with a standard incandescent dimmer.

Attach the shade to the socket assembly before installing the canopy.

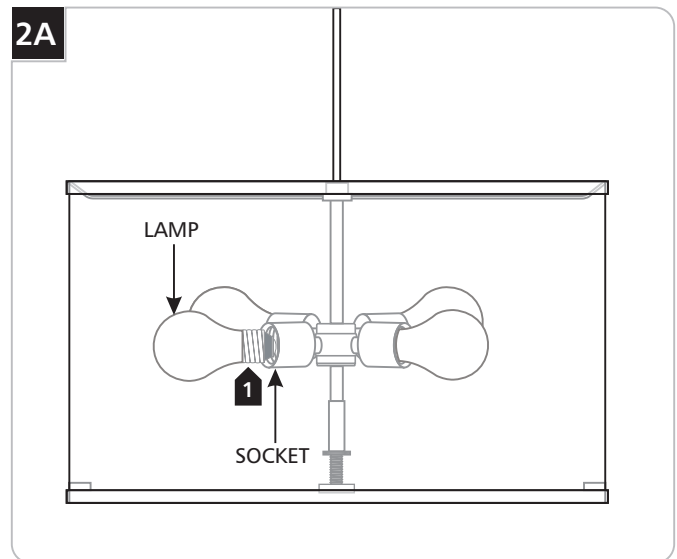


Install the Shade



- 1** Unscrew the cap from the top of the socket assembly and slide the cap nut off the cable.
- 2** Feed the cable through the center of the shade support until it rests on the end of the socket assembly.
- 3** Feed the cable through the center of the cap and screw the cap back onto the socket assembly.

Install the Lamps



Use **MAX** 120 Volt, 150 Watt A21 (medium) base lamp with each socket.

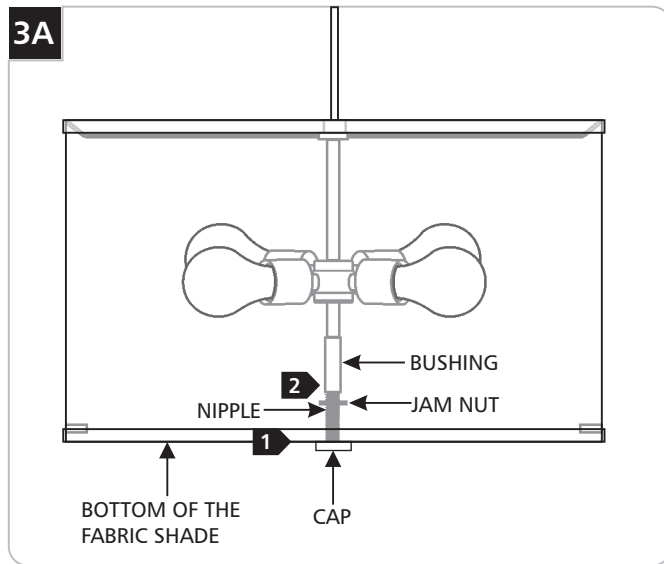


120 Volt, 100 Watt A19 (medium) base lamps (recommended) are provided with the fixture.

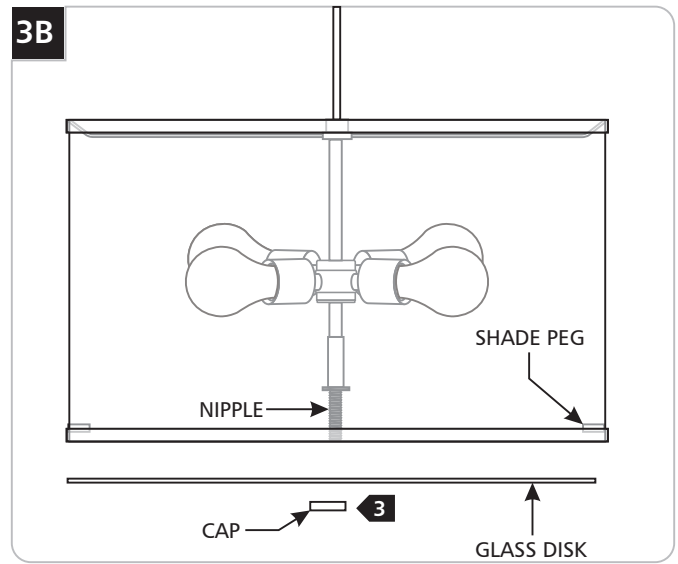


- 1** Screw the lamps into the sockets.

Install the Glass Disk



- 1 Loosen the knurled nut and adjust the nipple height so the back of the cap is level with bottom of the shade.
- 2 Tighten the jam nut firmly against the bushing.



- 3 Remove the cap.
- 4 Place the glass disk onto the nipple and secure it against the shade pegs with the cap.

NOTE: Do not over tighten the cap. Overtightening may break the glass and result in injury.

NOTE: The lamps can be replaced from the top, without removing the glass disk.

SAVE THESE INSTRUCTIONS!



TECH LIGHTING®

7400 Linder Ave, Skokie, IL 60077
847.410.4400

www.techlighting.com

© 2008 Tech Lighting, L.L.C. All rights reserved. The "Tech Lighting" graphic is a registered trademark of Tech Lighting, L.L.C. Tech Lighting reserves the right to change specifications for product improvements without notification.
A Generation Brands Company