

Inner World

700TDIWOP_ 1.0



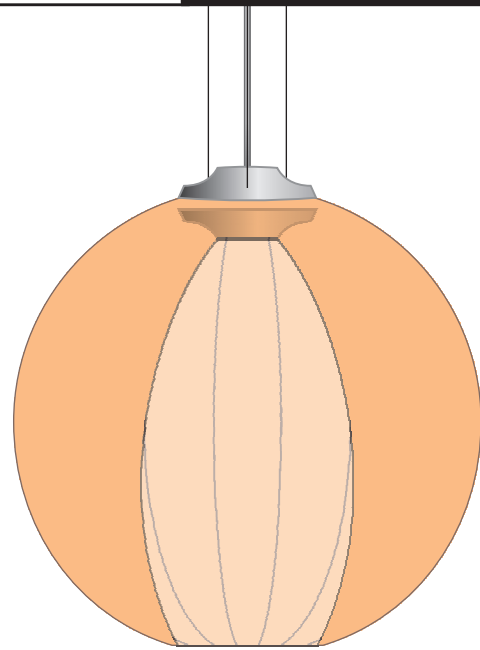
PENDANTS

GENERAL PRODUCT INFORMATION:

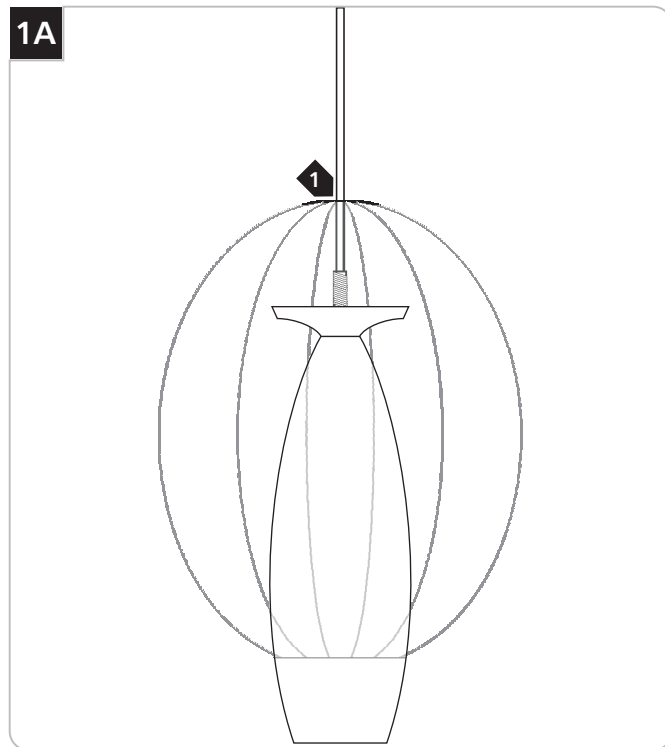
This product is suitable for damp locations.



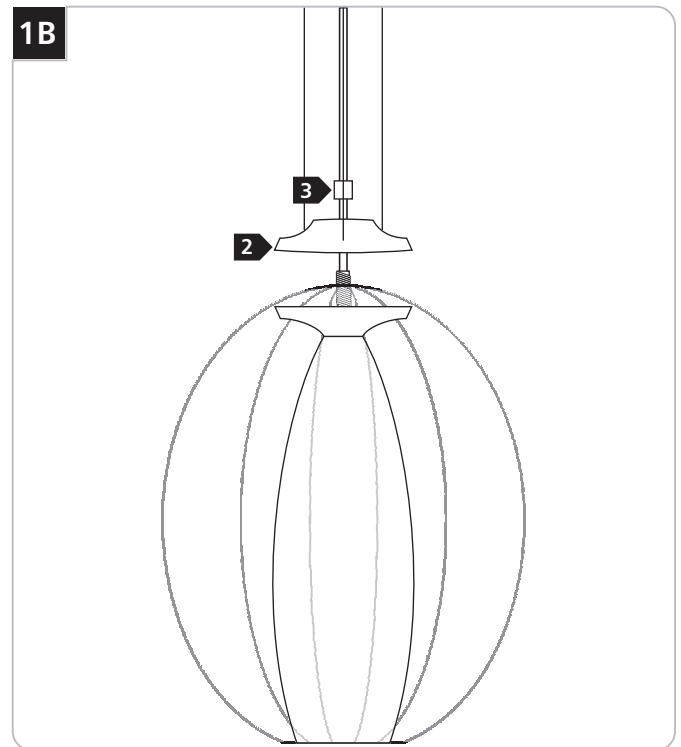
This product can be dimmed with a standard incandescent dimmer.



Assemble the Shades



1 Feed the cord through the hole at the top of the outer shade.

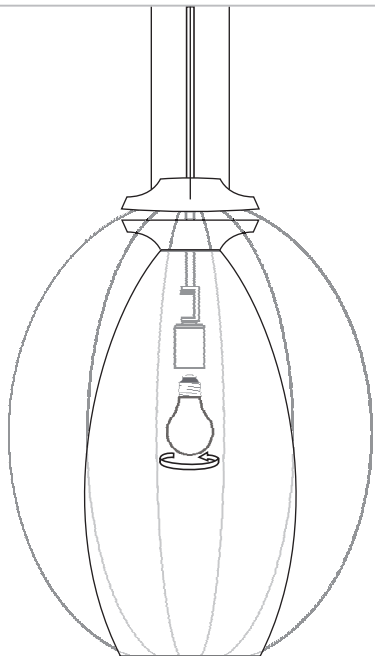


2 Run the cord through the shade cap and nut.

3 Screw the nut onto the nipple from the inner shade.

Install the Lamp

2A



CAUTION: To reduce the risk of a burn or electric shock during relamping, disconnect the power to the fixture.

Use **MAX 100 Watt** type A19 medium base lamp.



- 1 Screw the lamps into the sockets.

SAVE THESE INSTRUCTIONS!



TECH LIGHTING®

7400 Linder Ave, Skokie, IL 60077

847.410.4400

www.techlighting.com

© 2008 Tech Lighting, L.L.C. All rights reserved. The "Tech Lighting" graphic is a registered trademark of Tech Lighting, L.L.C. Tech Lighting reserves the right to change specifications for product improvements without notification.

A Generation Brands Company