

LINE - VOLTAGE P E N D A N T S

Inner World Pendant



**DESCRIPTION**

Over 20 inches in diameter, this hand-blown Murano glass is truly a work of art. Inner white case glass helps diffuse the light. Black, satin nickel, and white finish options come with a satin nickel cap and clear cable; antique bronze finish with an antique bronze cap and brown cable. Includes 120 volt, 100 watt medium base A19 lamp or 32 watt GX24Q-3 base triple tube compact fluorescent lamp (electronic ballast included). May also be lamped with GX24Q-3 base 26 watt triple tube compact fluorescent lamp (not included). Fixture is provided with twelve feet of field-cutttable cable. Incandescent version dimmable with standard incandescent dimmer.

**DIMMING**

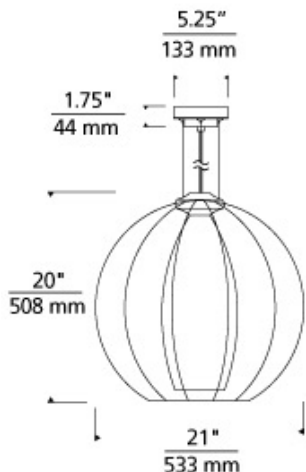
Incandescent version dimmable with standard incandescent dimmer.

**WEIGHT**

22lb / 9.98kg

**ORDERING INFORMATION**

700	SYSTEM	IWOP	COLOR	FINISH	LAMP
TD	LINE-VOLTAGE PENDANTS	A AMBER K SMOKE	Z ANTIQUE BRONZE B BLACK S SATIN NICKEL W WHITE	-CF	INCANDESCENT 120V COMPACT FLUORESCENT 120V COMPACT FLUORESCENT 277V



**TECH LIGHTING®**

7400 Linder Avenue T 847.410.4400  
Skokie, Illinois 60077 F 847.410.4500

[www.techlighting.com](http://www.techlighting.com)

700 \_\_\_\_ IWOP \_\_\_\_\_

FIXTURE TYPE: \_\_\_\_\_

JOB NAME: \_\_\_\_\_

NOTES: \_\_\_\_\_

\_\_\_\_\_

\_\_\_\_\_



©2011 Tech Lighting, L.L.C. All Rights Reserved. The "Tech Lighting" graphic is a registered trademark of Tech Lighting, L.L.C. Tech Lighting reserves the right to change specifications for product improvements without notification.