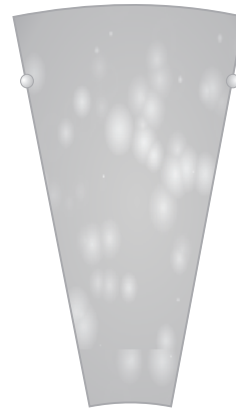




WALL COLLECTION



GENERAL PRODUCT INFORMATION:

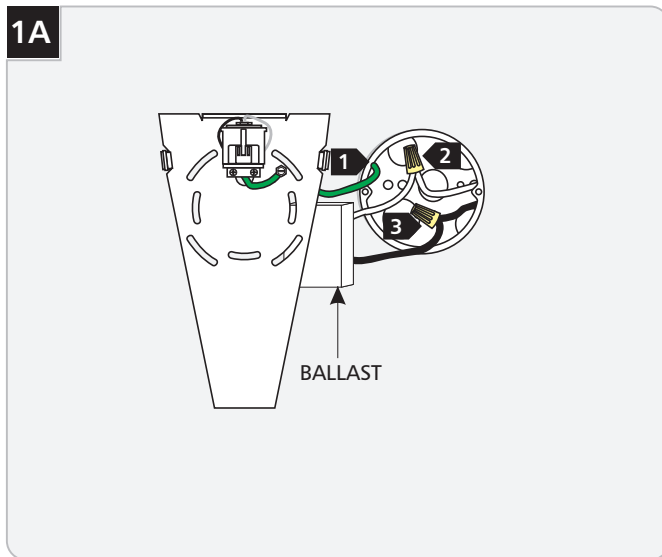


This product can mount to either a 4" square electrical box with round plaster ring or an octagon electrical box.

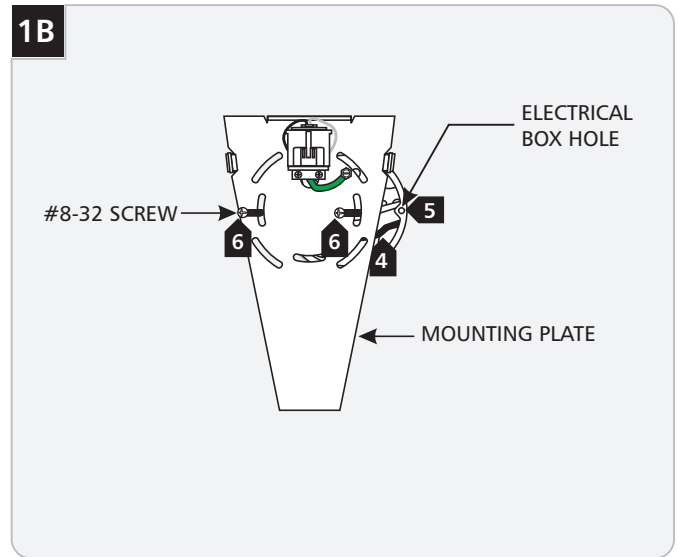
This product is suitable for damp locations.

CAUTION—RISK OF FIRE
 This product requires installation by a qualified electrician. Before installing be sure to read all instructions and **TURN THE POWER TO THE ELECTRICAL BOX OFF.**

Mount the Sconce



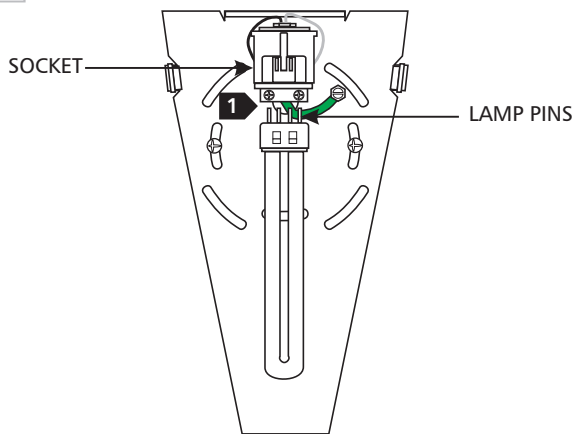
- 1** Ground the fixture to the electrical box in accordance with local electrical codes.
- 2** Connect the white fixture ballast wire to the neutral 120 volt power line wire with a wire nut.
- 3** Connect the black fixture ballast wire to the hot 120 volt power line wire with a wire nut.



- 4** Properly place the ballast, wires, and all wire nut connections into the electrical box.
- 5** Line up two mounting plate slots with the two electrical box holes.
- 6** Level the mounting plate vertically and secure it to the electrical box with the two #8-32 screws.

Install the Lamp & Glass Shade

2A



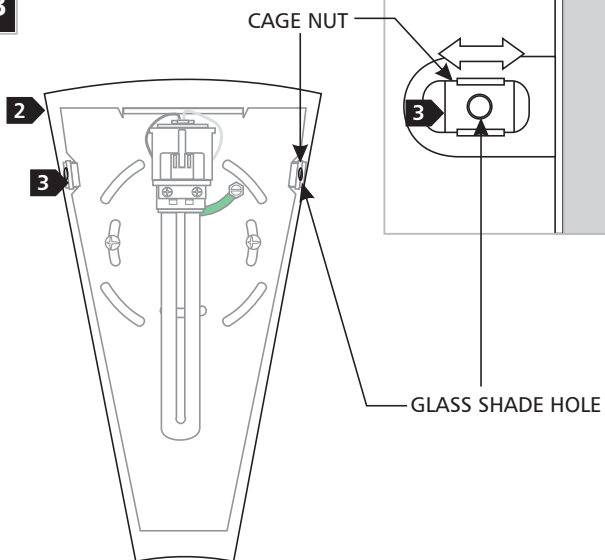
NOTE: Use only your fingers to replace the lamp.

Max 13 Watt 2GX7 Base Twin Tube Compact Fluorescent Lamp.



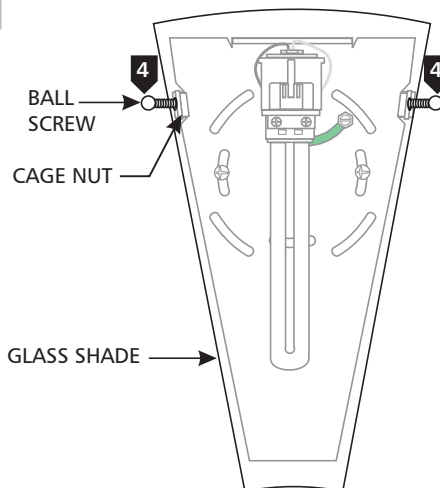
- 1 Push the lamp pins firmly all the way into the socket holes.

2B



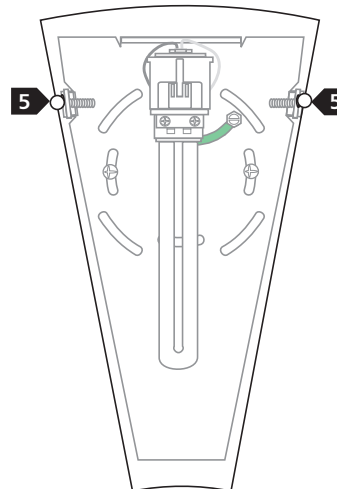
- 2 Place the glass shade over the mounting plate against the wall.
- 3 Slide the cage nuts aligning their holes with the glass shade holes.

2C



- 4 Slightly screw (**Do Not Tighten**) the ball screws through the glass shade holes into the cage nut holes so that the glass shade is held in place.

2D



- 5 Firmly push the glass against the wall and finish tightening the ball screws.

SAVE THESE INSTRUCTIONS!



TECH LIGHTING®

7400 Linder Ave, Skokie, IL 60077
847.410.4400

www.techlighting.com

© 2008 Tech Lighting, L.L.C. All rights reserved. The "Tech Lighting" graphic is a registered trademark of Tech Lighting, L.L.C. Tech Lighting reserves the right to change specifications for product improvements without notification.

A Generation Brands Company