

# MONORAIL

## MonoRail 2" Square Power Feed Canopy Single-Feed

### DESCRIPTION

A single-feed canopy is mounted to the ceiling above the MonoRail run. It brings power to the MonoRail run from a remote transformer (sold separately). The low-voltage leads from the remote transformer are connected to the canopy leads inside the junction box.

### INSTALLATION

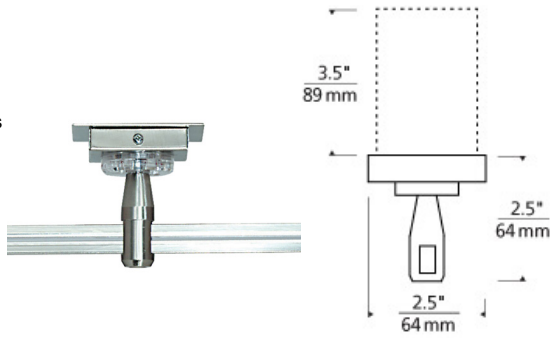
Mounts to Tech Lighting's special 2" square, 3.5" deep junction box with mounting bar (included).

### OTHER

For use with a single-feed remote transformer (sold separately). The shortest rigid standoff that can be used with a MonoRail single-feed canopy is the 2" rigid standoff (sold separately). If dropping the rail more than 2" below the ceiling, order the desired rigid standoff length and one compatible power extender (sold separately).

### WEIGHT

1.35lb / 0.61kg ±



monorail 2" square  
power feed  
canopy single-  
feed

### ORDERING INFORMATION

**700MOP2C02** SHAPE OR SIZE

2" SQUARE

FINISH

Z ANTIQUE BRONZE  
B BLACK  
S SATIN NICKEL  
W WHITE



**TECH LIGHTING®**

7400 Linder Avenue  
Skokie, Illinois 60077

T 847.410.4400  
F 847.410.4500

Tech Lighting, L.L.C.

700MOP2C02 \_\_\_\_\_

FIXTURE TYPE: \_\_\_\_\_

JOB NAME: \_\_\_\_\_

NOTES: \_\_\_\_\_

\_\_\_\_\_  
\_\_\_\_\_



©2017 Tech Lighting, L.L.C. All Rights Reserved. The "Tech Lighting" graphic is a registered trademark of Tech Lighting, L.L.C.  
Tech Lighting reserves the right to change specifications for product improvements without notification.