



**CHANDELIERS**

**GENERAL PRODUCT INFORMATION:**



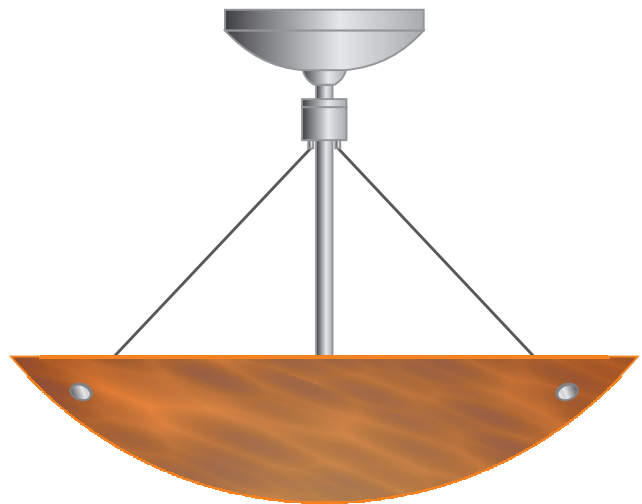
This product is suitable for damp locations.

This product is dimmable with a standard incandescent dimmer.

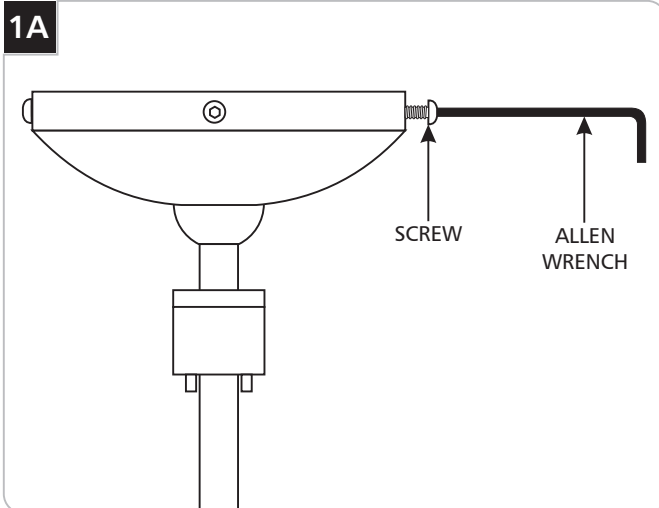
**CAUTION—RISK OF FIRE**

This product requires installation by a qualified electrician. Before installing be sure to read all instructions and **TURN THE POWER TO THE ELECTRICAL BOX OFF.**

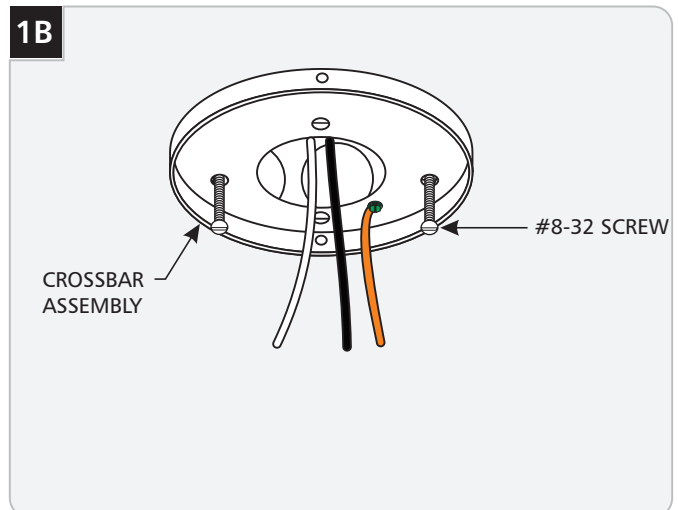
**NOTE:** This canopy may be installed to sloped ceilings with **MAX 45°** tilt.



**Install the Cross Bar**



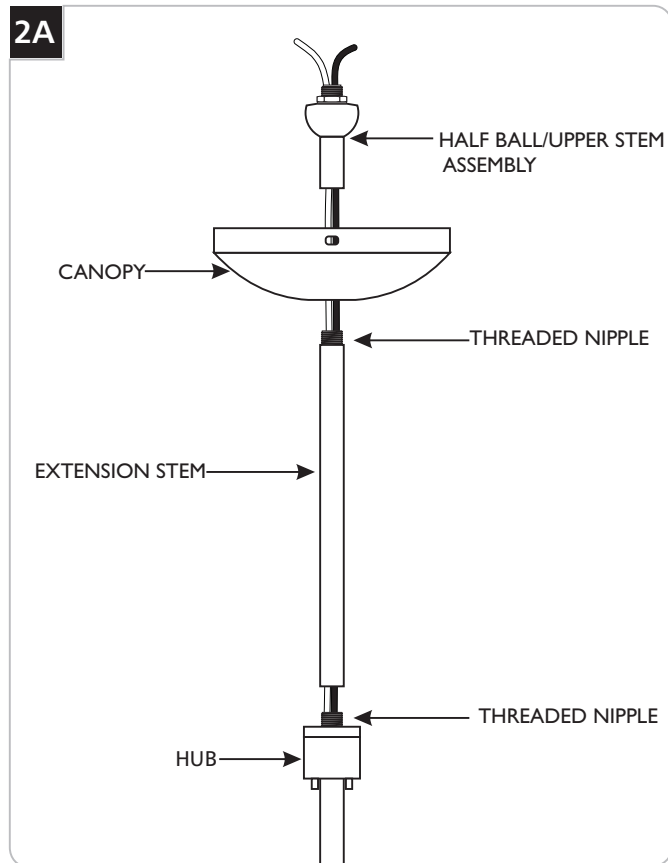
**1** Separate the crossbar from the canopy by removing all four screws with the Allen wrench provided.



**2** Mount the crossbar to the electrical box with the two #8-32 screws provided.

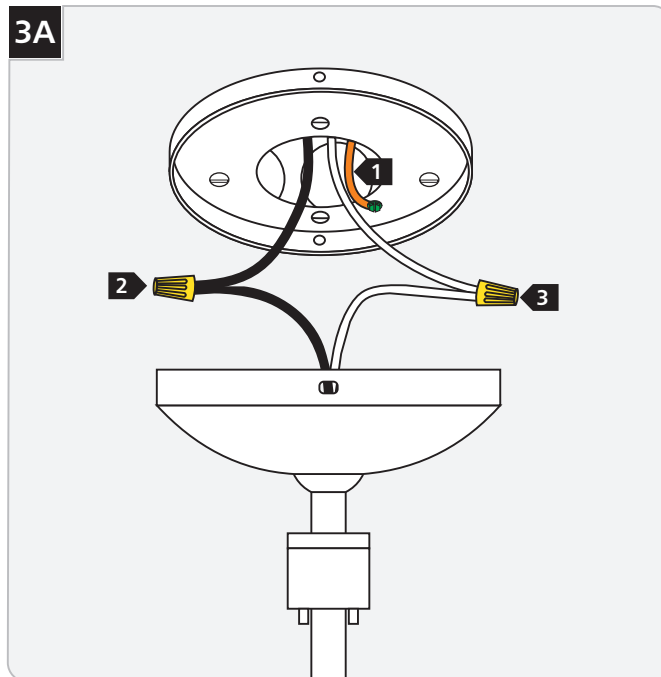
## Adjust the Fixture Height (Optional)

**NOTE:** Additional length fixtures require the installation of an extension stem.

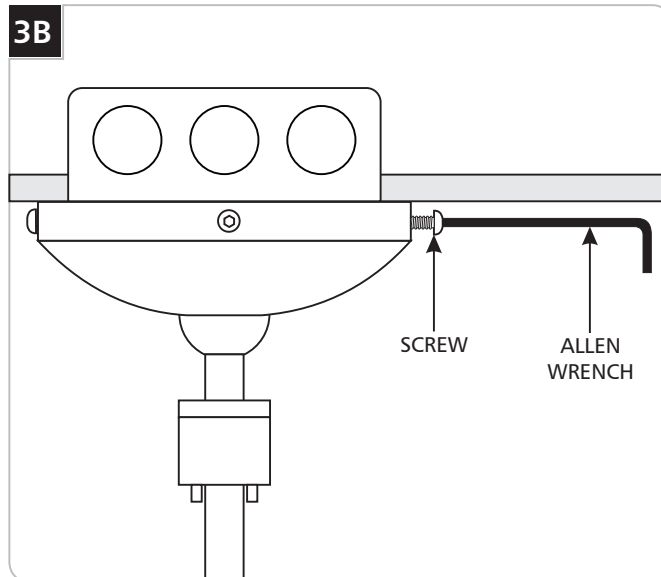


- 1 Temporarily remove the canopy and half ball/upper stem assembly by unscrewing it from the hub and pulling the fixture wires through.
- 2 Feed the fixture wires through the optional extension stem(s) and tighten completely to the threaded nipple on the hub.
- 3 Feed the fixture wires through the canopy and half ball/upper stem assembly and tighten completely to the threaded nipple on the new extension stem.

## Install the Fixture

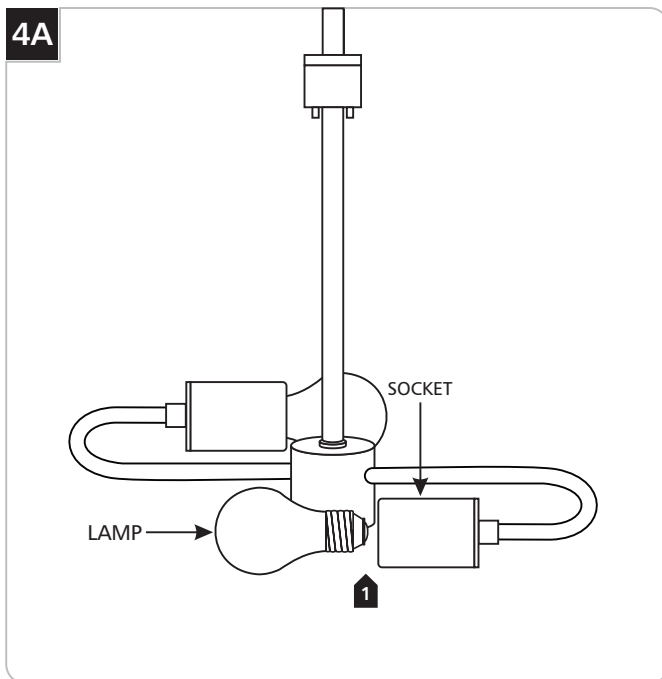


- 1 Connect the fixture to a suitable ground in accordance with local electrical codes.
- 2 Connect the black fixture wire to the hot power line wire with a wire nut.
- 3 Connect the white fixture wire to the neutral power line wire with a wire nut.



- 4 Place all wire and wire nut connections inside the electrical box.
- 5 Align the canopy holes with the crossbar holes. Secure the canopy in place by tightening the four screws with the provided Allen wrench.

## Install the Lamp



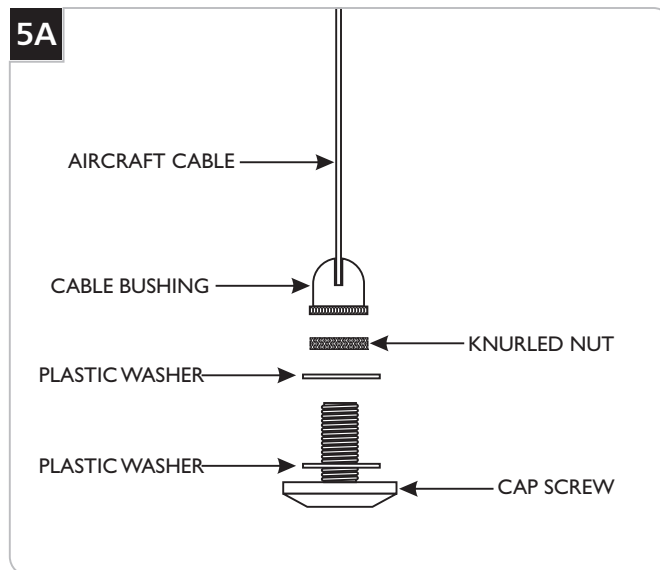
**CAUTION:** To reduce the risk of a burn or electric shock during relamping, disconnect the power to the fixture.

Use **MAX** 120 Volt, 100 Watt A19 medium base lamp with each socket.

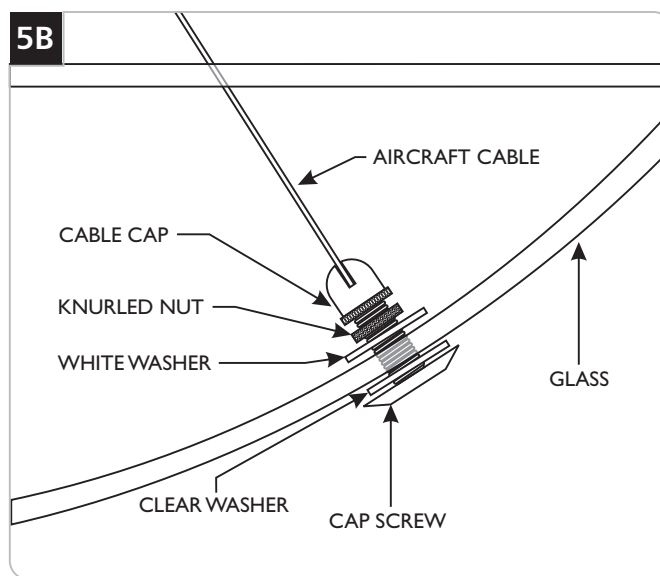


- 1 Screw the lamps into the sockets.

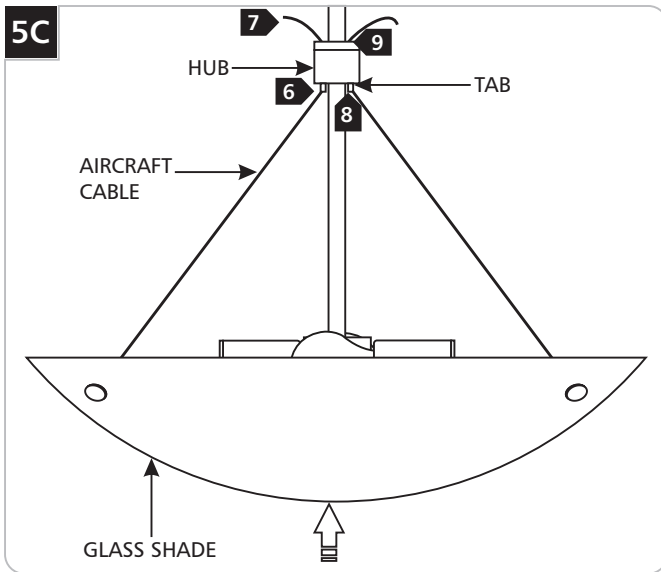
## Install the Glass



- 1 Remove the cap screw from the cable bushing.
- 2 Remove the knurled nut and one of the washers from the cap screw.



- 3 From outside of the glass, insert the cap screw with a washer through one hole.
- 4 Place the other washer onto the cap screw and finger-tighten the knurled nut to secure the cap screw in place.
- 5 Screw the cable cap completely onto the cap screw.



**NOTE:** Make sure to support the glass shade while adjusting the aircraft cables to position it in place as described in the steps below.

- 6** While supporting the glass shade with one hand, with the other hand feed the aircraft cable through the tabs into the hub.
- 7** Carefully, pull the aircraft cable behind the hub to raise the glass shade. Make sure that the glass shade is not touching the lamps, but it is high enough to cover the lamps.
- 8** To lower the glass shade, push the tabs in and pull the aircraft cable down.
- 9** When the desired position achieved, trim the excess aircraft cable coming behind the hub for a nice and neat look.

**NOTE:** To replace the lamps, simply reach the lamp from top of the glass shade. **DO NOT REMOVE THE GLASS SHADE.**

**SAVE THESE INSTRUCTIONS!**



**TECH LIGHTING®**

7400 Linder Ave, Skokie, IL 60077

847.410.4400

[www.techlighting.com](http://www.techlighting.com)

© 2008 Tech Lighting, L.L.C. All rights reserved. The "Tech Lighting" graphic is a registered trademark of Tech Lighting, L.L.C. Tech Lighting reserves the right to change specifications for product improvements without notification.

A Generation Brands Company