

# Joshua & Meg Junction Box Mount

700JOSCP\_ , 700MEGCP\_

1.7



JOSHUA & MEG PICTURE LIGHTS

## GENERAL PRODUCT INFORMATION:



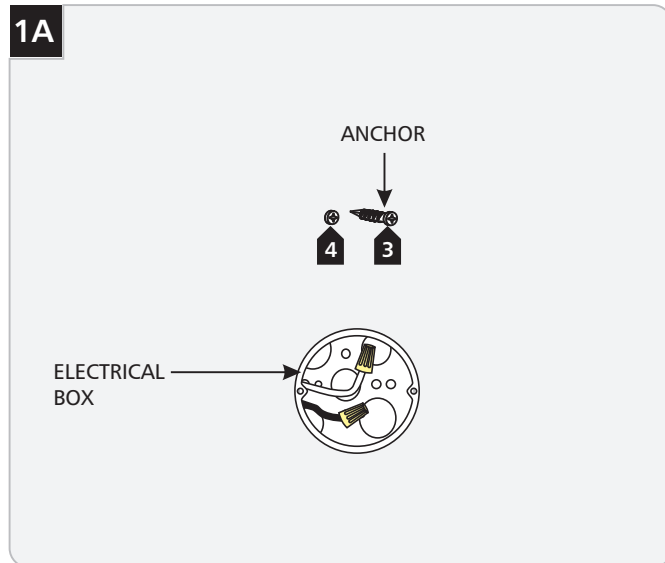
This product is suitable for indoor dry locations only.

This product can be dimmed with a standard incandescent dimmer.

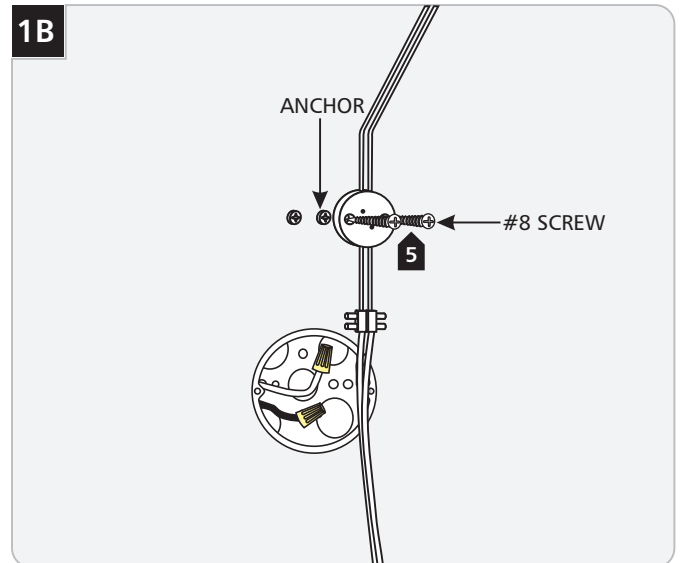
Minimum volume of the electrical box must be 6 cubic inches (98 cubic centimeter).



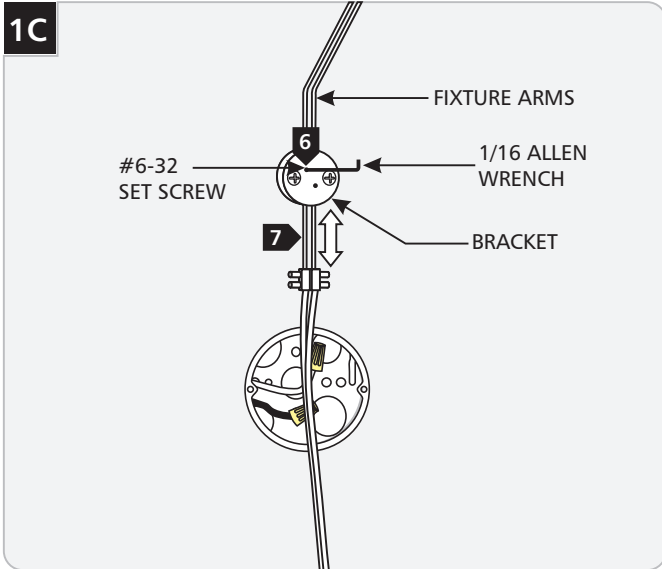
## Installing the Fixture



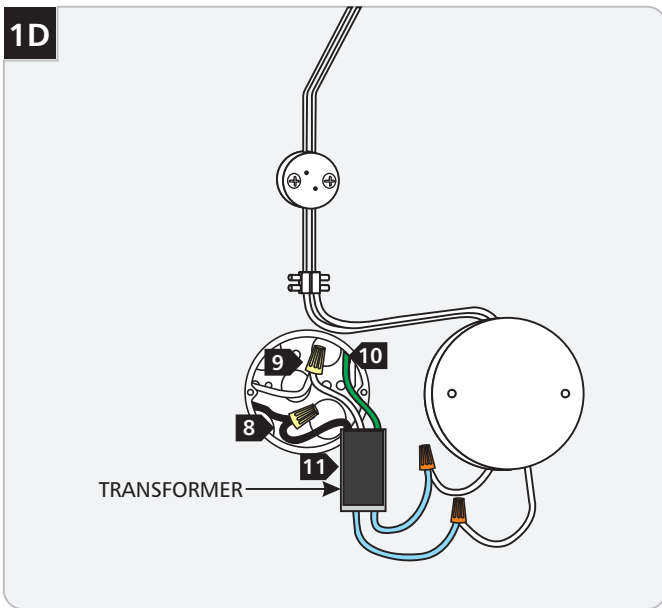
- 1** The picture light bracket should be mounted right above the electrical box.
- 2** Hold the picture light canopy against the electrical box and mark the bracket holes (1-1/4" apart) on the wall.
- 3** With a hammer tap the anchors at the marked points into the wall up to the threaded portion.
- 4** Screw the anchors in the rest of the way with a Phillips screwdriver.



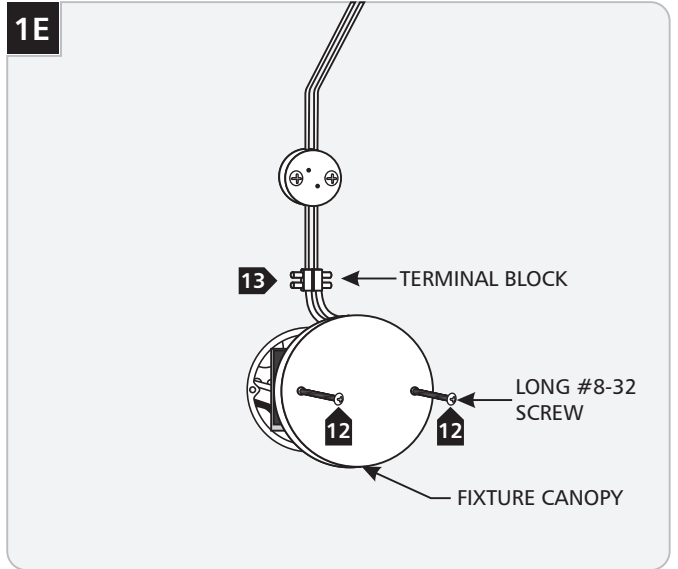
- 5** Mount the picture light bracket on the anchors with the two #8 screws.



- 6** Adjust the picture light height by loosening the two #6-32 set screws on the front of the picture light bracket with the 1/16 Allen wrench.
- 7** Slide the arms to desired height and tighten the two #6-32 set screws with the 1/16 Allen wrench.

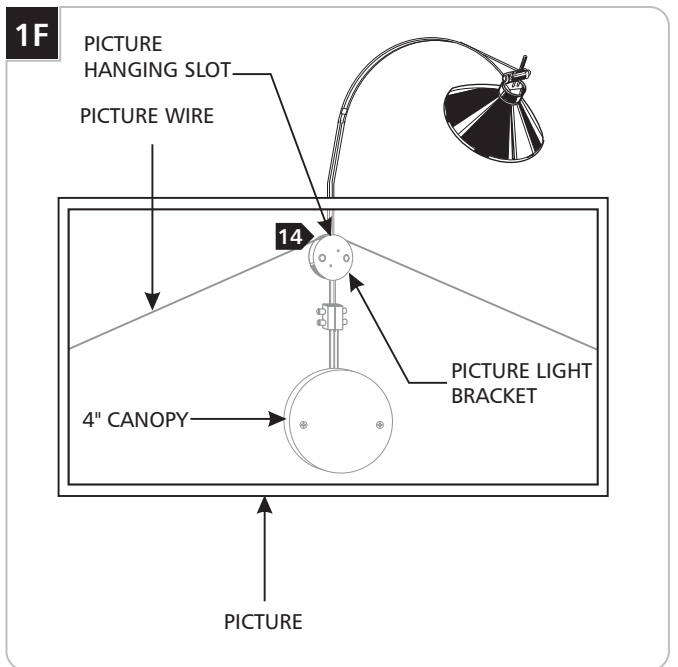


- 8** Connect the black transformer wire to the 120 volt power line wire with a wire nut.
- 9** Connect the white transformer wire to the neutral power line wire with a wire nut.
- 10** According with local electrical code, connect the green transformer wire to the ground.
- 11** Place the transformer and all wire nut connection into the electrical box.



**NOTE:** Use the provided universal round crossbar when the canopy holes do not line up with the electrical box holes.

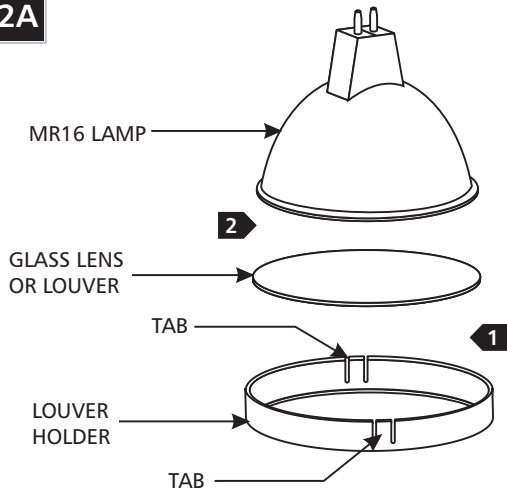
- 12** Mount the fixture canopy to the electrical box with the two long #8-32 screws.
- 13** Verify that all four screws in the terminal block are tight.



- 14** Hang the picture wire in the picture hanging slot on the picture light bracket.


# Installing the Lamp

**2A**



**CAUTION:** To reduce the risk of a burn or electric shock during relamping, disconnect the power to the fixture.

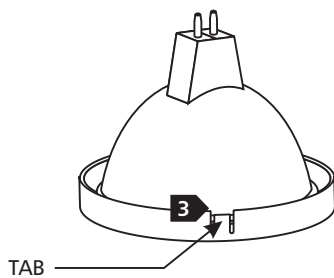
**NOTE:** Use only your fingers and a soft cloth to replace the lamp.

Use **MAX 50 Watt**, MR16 Front Cover Halogen Lamp.. 

**NOTE:** A 50 watt MR16 lamp for Joshua and A 20 watt MR16 lamp for Meg are included with the package.

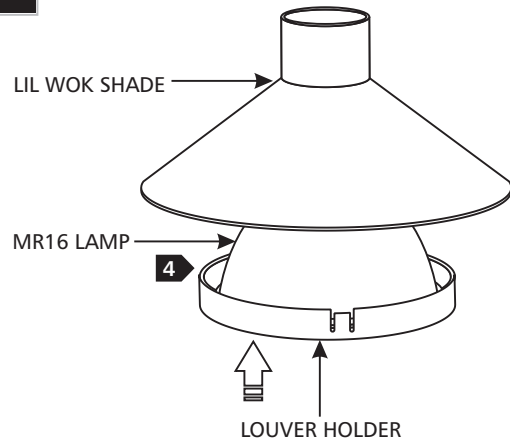
- 1** Place the optional glass lens or louver into the louver holder.
- 2** Place the MR16 lamp into the louver holder.

**2B**



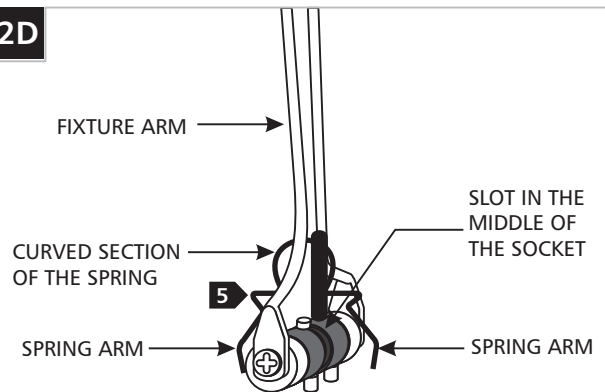
- 3** Press the tabs on louver holder against the lamp to keep the louver holder in place.

**2C**



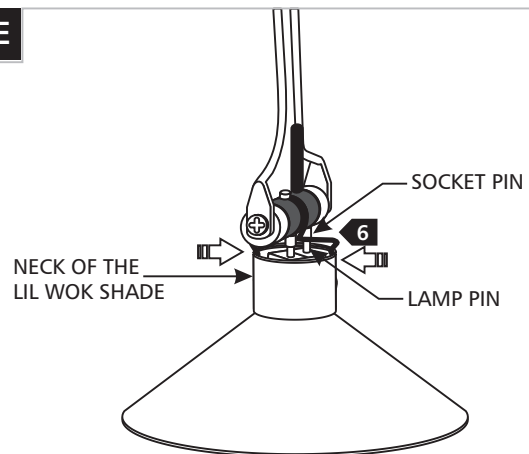
- 4** Place the assembly into the Lil Wok shade.

**2D**



- 5** Snap the curved section of the spring onto the slot in the middle of the socket.

**2E**



- 6** Squeeze the spring arms together and slide it into the neck of the Lil Wok shade while gently pressing the lamp pins all the way into the socket pins.

## IMPORTANT SAFETY INSTRUCTIONS

*To reduce the risk of fire, electrical shock, exposure to excessive UV radiation, or injury to person:*

- Use this fixture indoors only.
- Do not look directly at the lighted lamp.
- Do not remain in light if skin feels warm.
- Risk of fire: Use only the type of lamp and maximum wattage indicated in this instruction manual.
- Never cover the halogen lamp with anything other than a Tech Lighting lamp shield and never place flammable material close to your fixture.
- Never turn the fixture on and off by connecting and disconnecting the halogen lamp.
- Do not touch the fixture shades or lamp while the fixture is on. These surfaces may be HOT.
- The MR16 lamp must have a protective front cover glass.

## Halogen Lamp General Information

- A new halogen lamp may smoke slightly when it is used for the first time. This is perfectly normal; the protective coating is simply being vaporized.

## Two Tips For Prolonging Halogen Lamp Life

- First avoid touching the lamp with bare hands during installation. Any contaminant, even the oil from your hands can deteriorate the lamp. Rubbing alcohol can be used to remove any contaminant.
- Second, do not run the lamps at full power when you do not need to. However, if dimming the fixture for an extended period of time, occasionally bring the light up to full brightness for a few minutes to complete the halogen cycle.

**SAVE THESE INSTRUCTIONS!**



**TECH LIGHTING®**

7400 Linder Ave, Skokie, IL 60077  
847.410.4400

[www.techlighting.com](http://www.techlighting.com)

© 2008 Tech Lighting, L.L.C. All rights reserved. The "Tech Lighting" graphic is a registered trademark of Tech Lighting, L.L.C. Tech Lighting reserves the right to change specifications for product improvements without notification.  
A Generation Brands Company