

Aeon Chandelier LED T20

DESCRIPTION

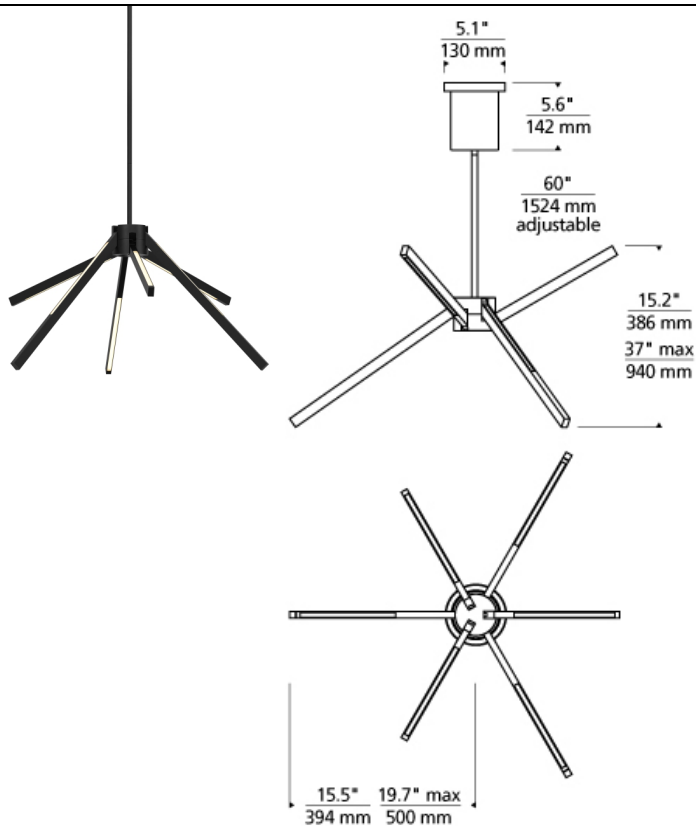
The Aeon Chandelier by Tech Lighting is a dynamic geometric modern interpretation of tree branches that create a playful motif in any space. Elongated arms feature direct and indirect light along with maneuverable arms that can be moved up or down for a dramatic sculptural lighting effect. Its maneuverable arms span up to 15.2" in width and up to 19.7" in length making it ideal for home office lighting, bedroom lighting and dining room lighting. Match the Aeon Chandelier to your precise taste by choosing from one of three on-trend finishes. The Aeon Chandelier can carry into other spaces as this collection is available in linear suspension, wall sconce and flush mount. The integrated LED lamp is fully dimmable to create the desired ambiance in any space. For a list of compatible dimmers please refer to dimming chart for more information. Includes 120-277 volt universal 50 watt, 2384 delivered lumen, 3000K LED linear module. Dimmable with most LED compatible ELV, TRIAC and 0-10V dimmers. Fixture provided with 60 inches of variable rigid stems (includes one 12 inch & two 24 inch stems) in coordinating finish. Can be installed on a sloped ceiling up to 45°.

INSTALLATION

This product can mount to either a 4" square electrical box with round plaster ring or an octagon electrical box.

WEIGHT

6.0-6.5lb / 2.72-2.95kg ±



matte white

matte black

ORDERING INFORMATION

700 SYSTEM **AEONP**

FINISH

LAMP

TD LINE-VOLTAGE PENDANTS/SUSPENSION

MATTE BLACK
MATTE WHITE

B MATTE BLACK
W MATTE WHITE

-LED930 INTEGRATED LED 90 CRI 3000K 120V

Pendant has arms that can pivot 135° (top tier arms pivoting upwards, bottom tier arms pivoting downwards).



7400 Linder Avenue T 847.410.4400
Skokie, Illinois 60077 F 847.410.4500

Tech Lighting, L.L.C.

700 ____ AEONP ____

FIXTURE TYPE: _____

JOB NAME: _____

NOTES: _____



©2019 Tech Lighting, L.L.C. All Rights Reserved. The "Tech Lighting" graphic is a registered trademark of Tech Lighting, L.L.C. Tech Lighting reserves the right to change specifications for product improvements without notification.