

Gambit 3-Light Chandelier

700GMB3C_ 1.0



GENERAL PRODUCT INFORMATION:

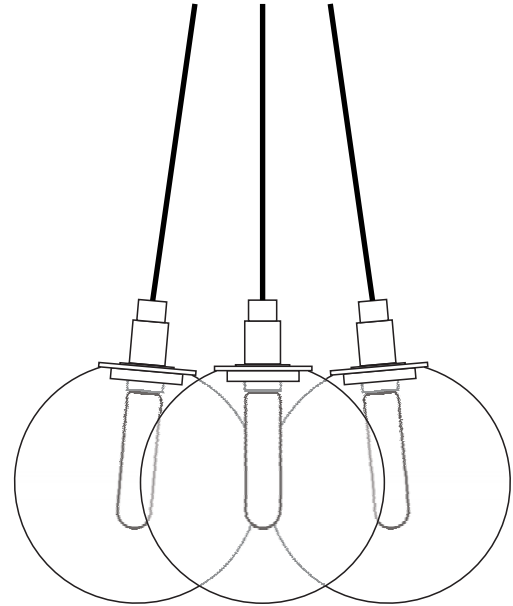
This product is suitable for damp locations.

These fixtures are intended to be installed utilizing NEC compliant junction boxes.



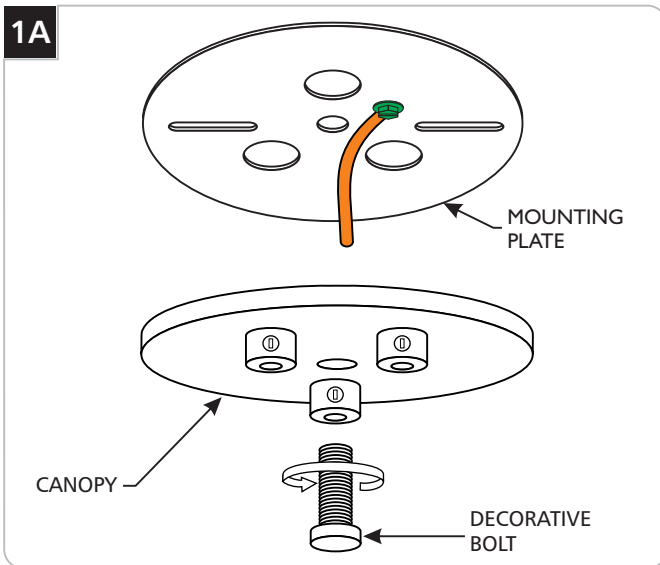
This product can be dimmed with a LED or TRIAC dimmer. Consult lamp manufacturer for additional information.

This instruction shows a typical installation.



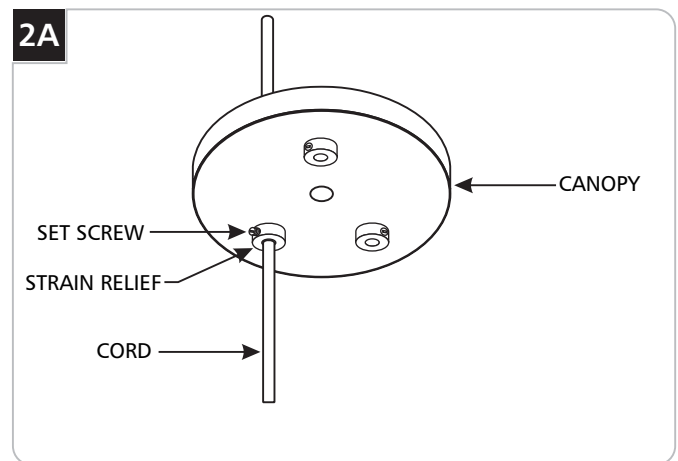
CAUTION - RISK OF FIRE
 This product must be installed in accordance with the applicable installation code by a person familiar with the construction and operation of the product and the hazards involved.
 Use minimum 90°C supply conductors.

Preparing the Canopy



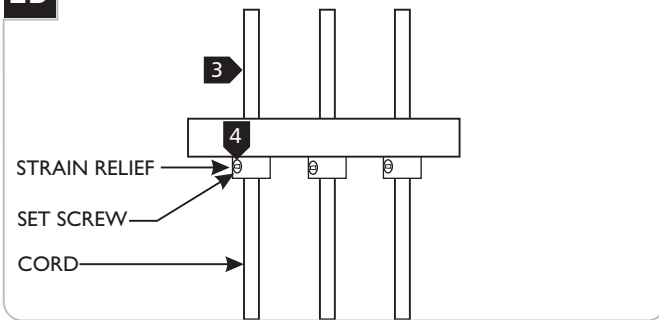
1 Remove the crossbar from the canopy by completely unscrewing the decorative bolt.

Install the Fixture

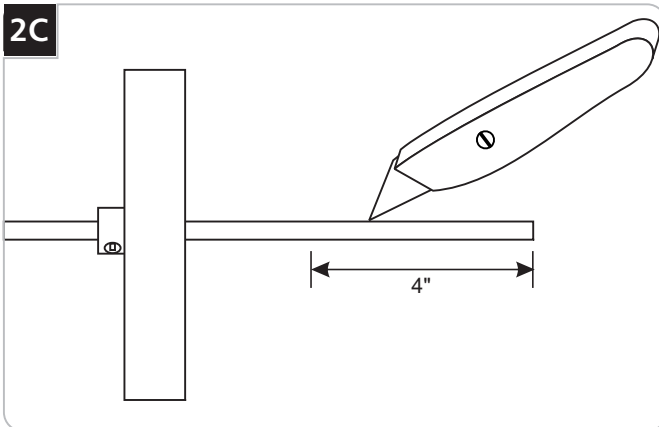


- 1** Loosen (**Do Not Remove**) the set screw on each strain relief.
- 2** Feed a fixture cord through each the strain relief.

Note: Taping down the frayed end of the cloth may assist in feeding it through the strain relief.

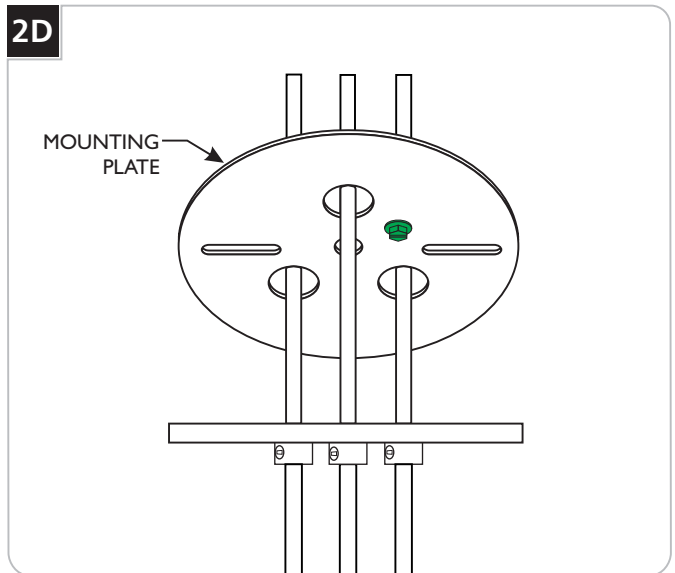
2B

- 3 Adjust each fixture's height (from bottom of the fixture shade to top of the canopy) by pulling the fixture cords through the strain relief.
- 4 When the desired look is achieved, tighten the set screw on each strain relief.

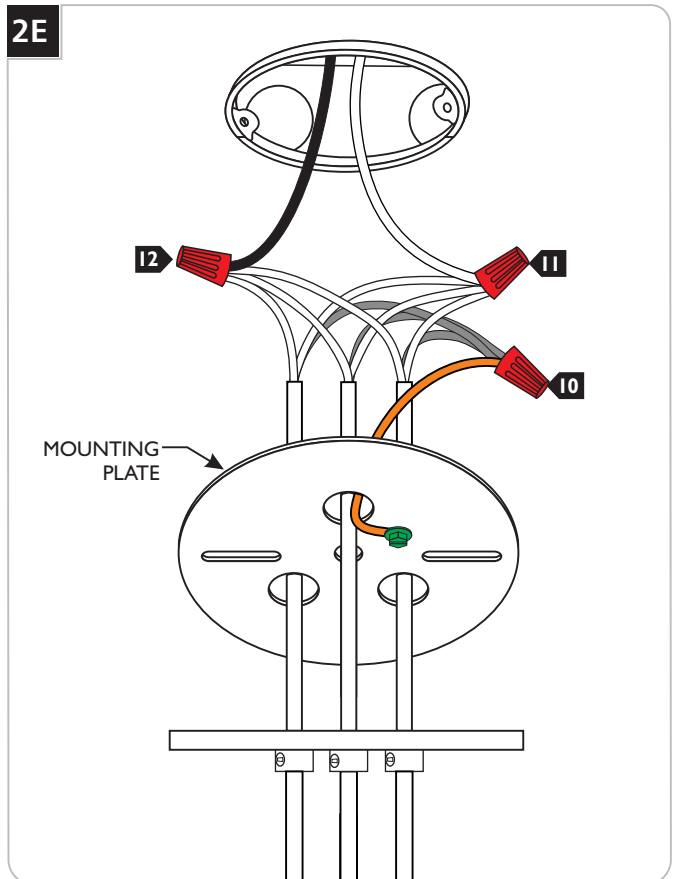
2C

- 5 Leave 6" of the cord behind the canopy for power connections. Cut the excess cord.
- 6 From the end of the cord, strip the insulation 4" using a sharp knife. **Make sure not to nick the inner wires.**
- 7 Strip the end of the wires.
- 8 Repeat for all the cords.

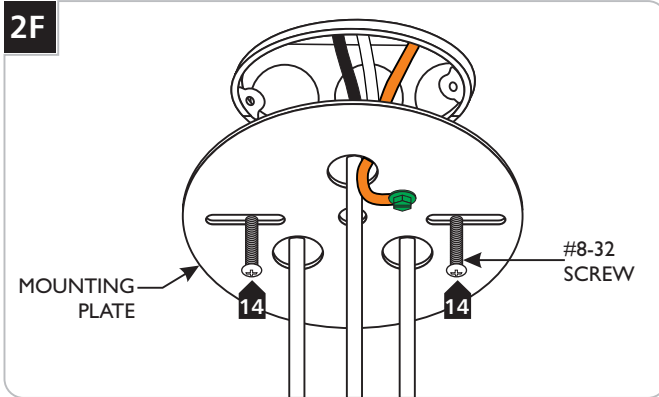
NOTE: It is recommended that one person hold the fixture while the electrician connects the power and installs the canopy.

2D

- 9 Feed fixture wires through each hole in the mounting plate.

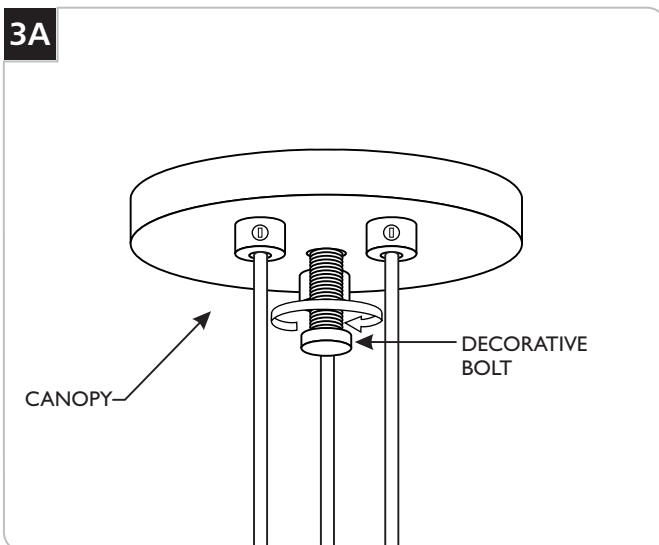
2E

- 10 Connect the mounting plate and the fixture ground wire to a suitable ground in accordance with local electrical codes.
- 11 Connect the fixture wire with white tracer (white wire) to the neutral power line wire with a wire nut.
- 12 Connect the last fixture wire (black wire) to the hot power line wire with a wire nut.

2F

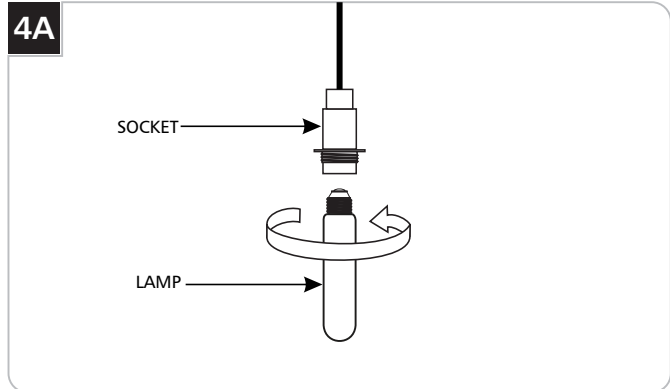
- 13** Place all wires, wire nut connections, and the secondary strain relief properly inside the electrical box.
- 14** Secure the mounting plate to the electrical box with the two provided #8-32 screws.

Install the Canopy

3A

- 1** Align the canopy center hole with the crossbar center hole.
- 2** Slide the canopy up against the ceiling and secure it in place by tightening the decorative bolt.

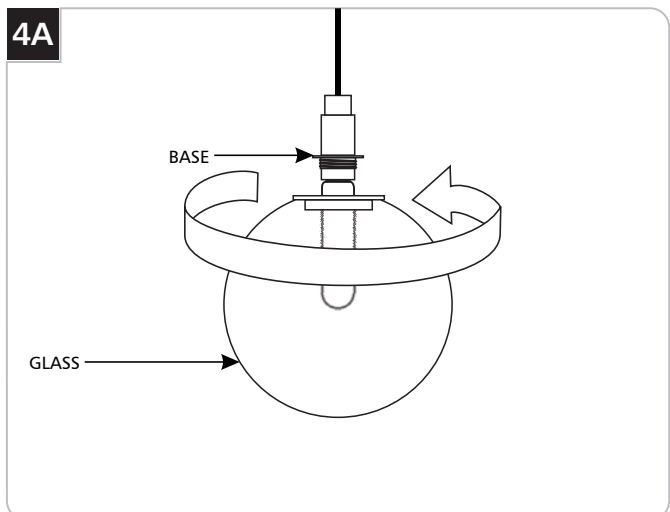
Install the Lamp and Shade

4A

CAUTION: To reduce the risk of a burn or electric shock during relamping, disconnect the power to the fixture.

Refer to fixture marking for lamp information

- 1** Screw the lamp into the socket.

4A

CAUTION: DO NOT OVER TIGHTEN the glass. This may break the glass resulting in injury.

- 2** Gently screw the glass onto it's base.

SAVE THESE INSTRUCTIONS!

GENERATION BRANDS

7400 Linder Ave, Skokie, IL 60077

800.323.3226 - 847.626.6300

www.generation-brands.com

© 2017 Generation Brands. All rights reserved. The "Generation Brands" graphic is a registered trademark of Generation Brands. Generation Brands reserves the right to change specifications for product improvements without notification.

A Generation Brands Company