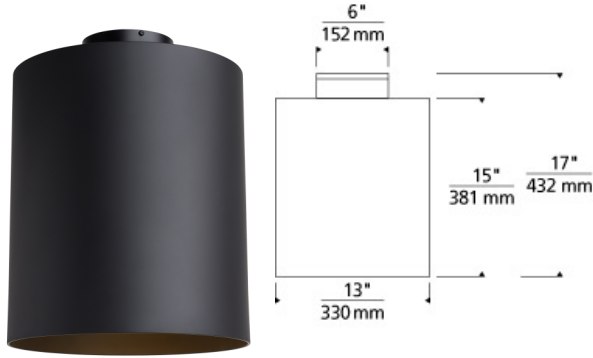


Hutch Ceiling



DESCRIPTION

The Hutch LED ceiling light from Tech Lighting features clean modern lines that seamlessly harmonize with the various soft matte and raw aluminum finishes available in this scaled-up stamped metal ceiling light. To ensure proper light scaling for both residential lighting applications such as kitchen island lighting or dining room lighting, as well as commercial lighting applications such as hospitality lighting or hallway lighting, the Hutch pendant light includes the choice of high output and low output LED modules. To ensure maximum flexibility, 25° and 40° beam spread options, 60" of variable-length rigid stems and universal ELV and 0-10v dimming capability are included as standard features. Low Output: 18 watt, 1392 delivered lumen, 2700K or 3000K LED module. High Output: 39 watt, 1807 delivered lumen, 2700K or 3000K LED module. Choice of 25° or 40° field changeable optics. Dimmable with low-voltage electronic, triac, or 0-10v dimmer.



INSTALLATION

This product can mount to either a 4" square electrical box with round plaster ring or an octagonal electrical box.

WEIGHT

10.00-10lb / 4.54-4.54kg ±



brushed aluminum matte black matte white

ORDERING INFORMATION

700FMHTC	BEAM SPREAD	FINISH	LAMP
25	25°	A BRUSHED ALUMINUM	-LED9HI927 LED HI-OUTPUT 90 CRI 2700K 120V-277V UNV
40	40°	B MATTE BLACK	-LED9HI930 LED HI-OUTPUT 90 CRI 3000K 120V-277V UNV
		W MATTE WHITE	-LEDLO927 LED LO-OUTPUT 90 CRI 2700K 120V
			-LEDLO930 LED LO-OUTPUT 90 CRI 3000K 120V
			-LEDLO930-277 LED LO-OUTPUT 90 CRI 3000K 277V



TECH LIGHTING®

7400 Linder Avenue
Skokie, Illinois 60077

T 847.410.4400
F 847.410.4500

Tech Lighting, L.L.C.

700FM HTC _____

FIXTURE TYPE: _____

JOB NAME: _____

NOTES: _____



©2017 Tech Lighting, L.L.C. All Rights Reserved. The "Tech Lighting" graphic is a registered trademark of Tech Lighting, L.L.C. Tech Lighting reserves the right to change specifications for product improvements without notification.