

Akova Ceiling

700FMAKV 1.0



GENERAL PRODUCT INFORMATION:

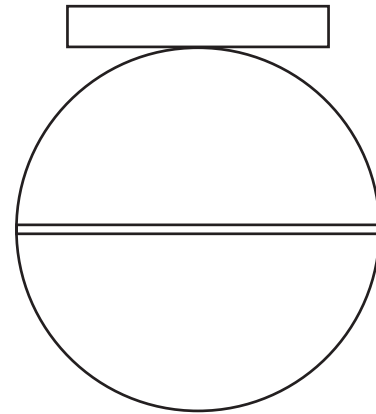
These fixtures are intended to be installed utilizing NEC compliant junction boxes.



This product is suitable for damp locations.

This product can be dimmed with a low-voltage electronic dimmer.

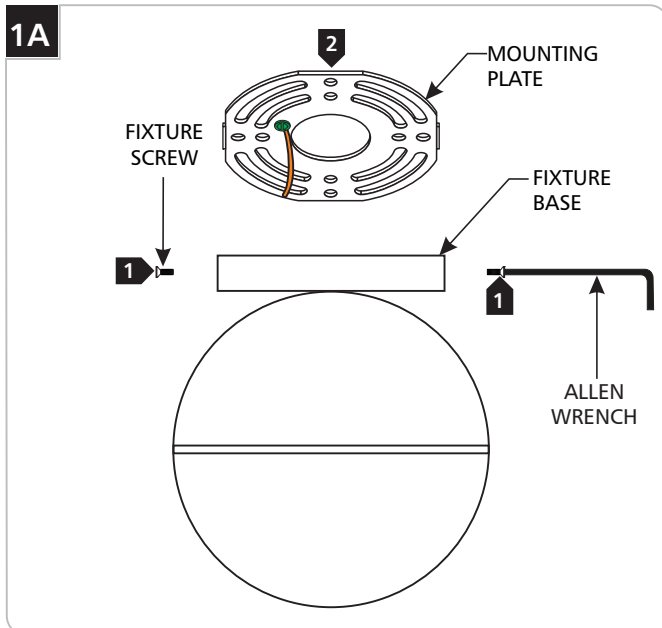
This instruction shows a typical installation.



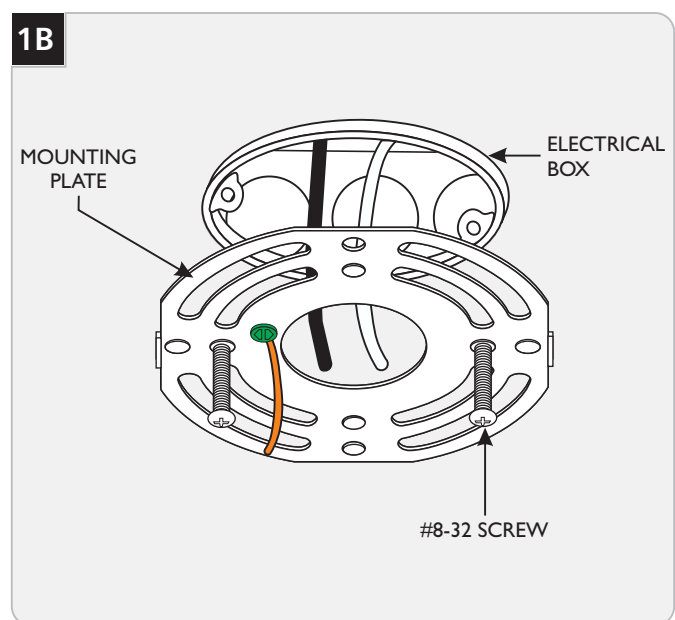
CAUTION - RISK OF FIRE
 This product must be installed in accordance with the applicable installation code by a person familiar with the construction and operation of the product and the hazards involved.
 Use minimum 90°C supply conductors.

NOTE: Install the mounting plate so that the studs are parallel or perpendicular to the walls, this will ensure that the fixture is oriented to the room.

Installing the Fixture

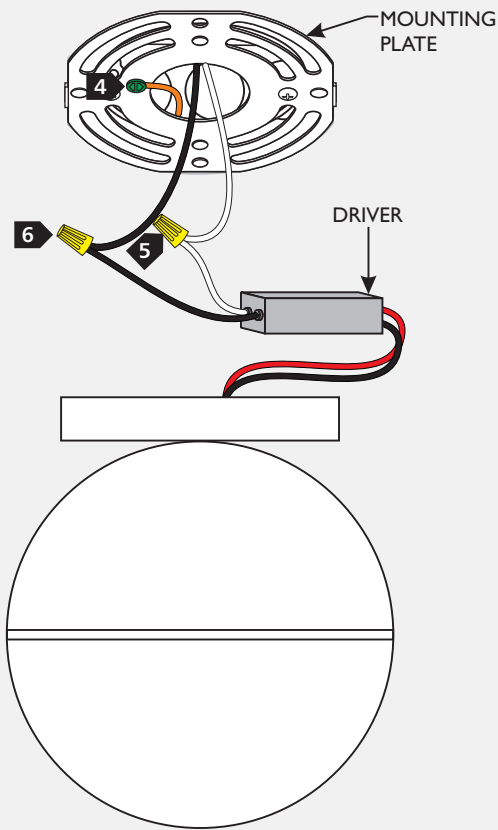


- 1** Remove the fixture screws located on both sides of the fixture base using the provided Allen wrench.
- 2** Remove the mounting plate from the fixture base.



- 3** Mount the mounting plate to the electrical box using the provided #8-32 screws.

1C



- 4 Connect the fixture to a suitable ground in accordance with local electrical codes.
- 5 Connect the fixture white wire to the neutral power line wire with a wire nut.
- 6 Connect the fixture black wire to the hot power line wire with a wire nut.
- 7 Properly place the driver, all wires, and wire nut connections into the electrical box.
- 8 Mount the fixture by sliding it back onto the mounting plate and reinstalling the fixture screws (reversal of figure 1A).

SAVE THESE INSTRUCTIONS!



TECH LIGHTING®

7400 Linder Ave, Skokie, IL 60077
847.410.4400

www.techlighting.com

© 2017 Tech Lighting, L.L.C. All rights reserved. The "Tech Lighting" graphic is a registered trademark of Tech Lighting, L.L.C. Tech Lighting reserves the right to change specifications for product improvements without notification.
A Generation Brands Company