

Siber Mirror Surface (LED)

700BCSIBS_-LED_

1.0



GENERAL PRODUCT INFORMATION:

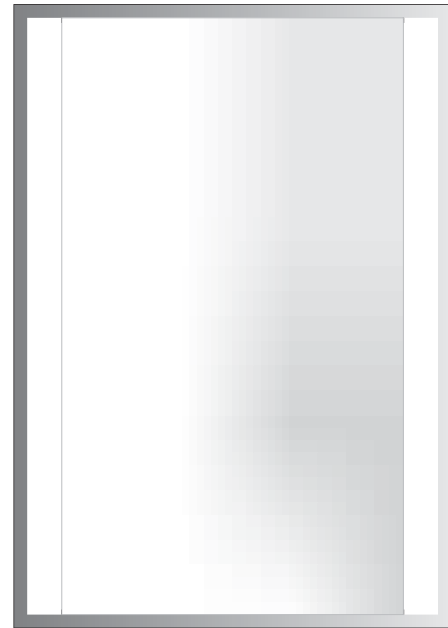


This product is suitable for damp locations.

This product may be dimmed with a low voltage electronic dimmer.

Bring power supply lines to the mirror in accordance with local electrical codes.

This instruction shows a typical installation.

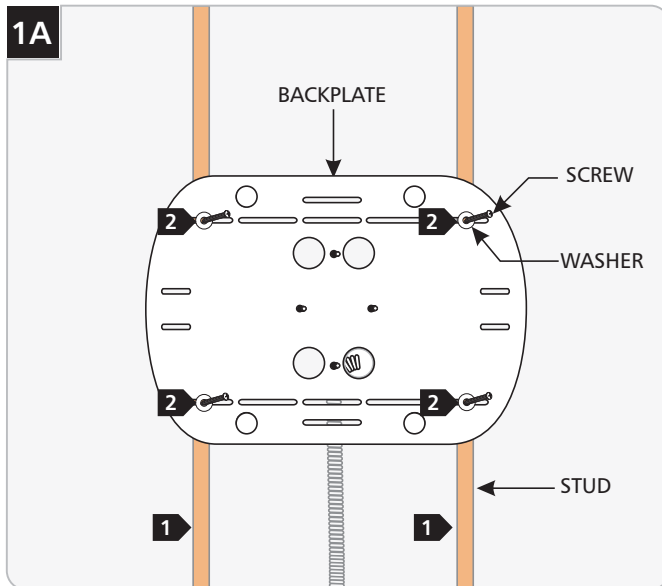


CAUTION - RISK OF FIRE

This product must be installed in accordance with the applicable installation code by a person familiar with the construction and operation of the product and the hazards involved.

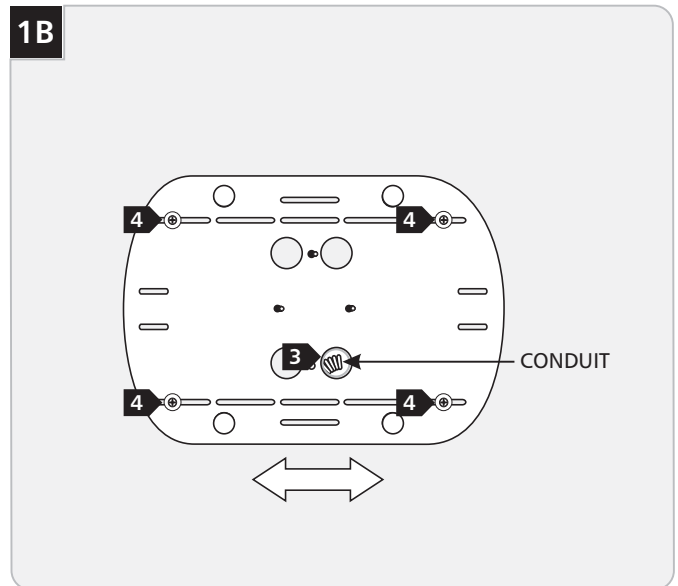
Use minimum 90°C supply conductors.

Install the Hardware



1 Locate the studs on the wall where the mirror is going to be mounted (Max 28-1/4" separation).

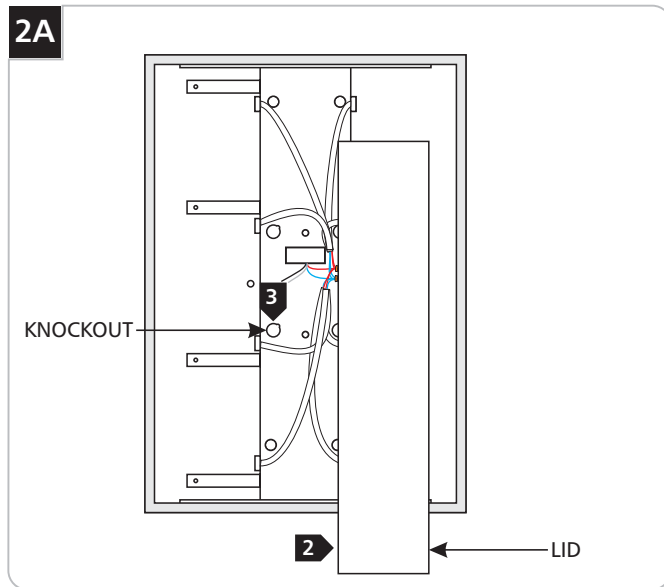
2 Use minimum of four slots to mount the back plate to the studs with the provided four screws and washers. Do not drive the screws all the way in at this time.



3 Bring conduit to one of the four circular holes on the backplate.

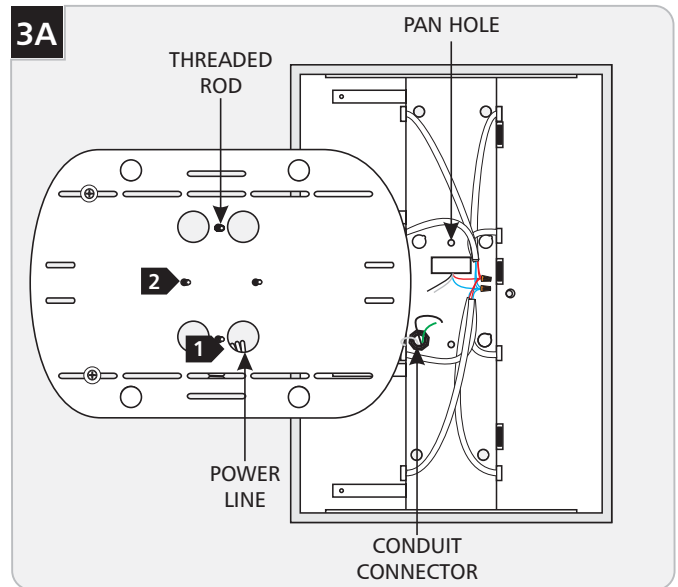
4 While holding the back plate level and in the desired position, tighten the four screws to secure it.

Prepare the Fixture for Installation

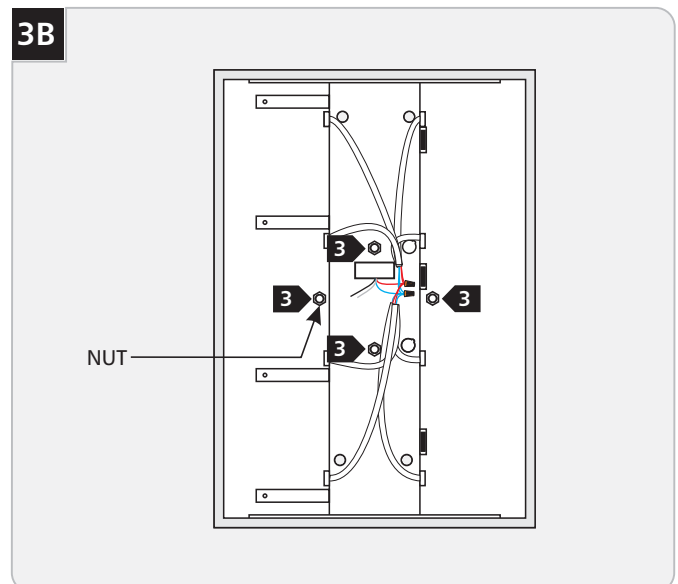


- 1 Remove the six screws on the side of the center housing in the center of the pan.
- 2 Remove the center housing lid.
- 3 Remove one knockout and install the provided conduit connector.

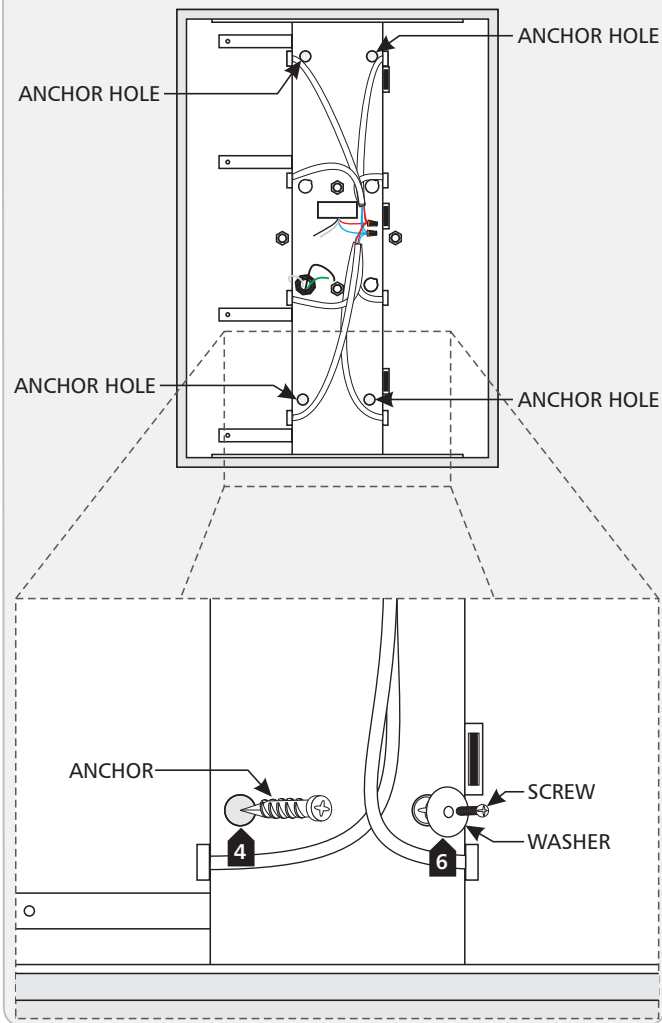
Install the Fixture



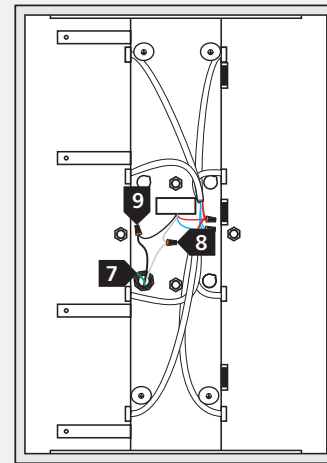
- 1 Feed the conduit through the conduit connector into the pan.
- 2 Place the four pan holes onto the four back plate threaded rods.



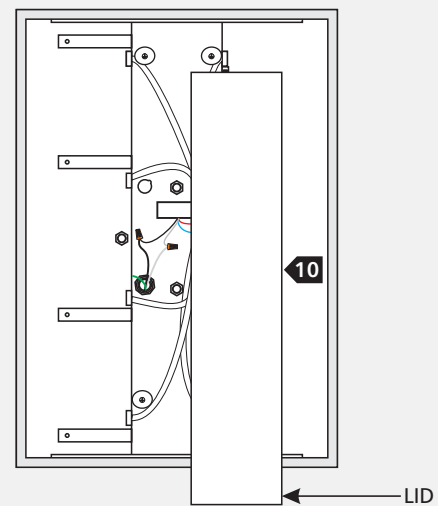
- 3 Mount the pan to the backplate with the provided washers, lock washers, and nuts.

3C

- 4** Line up each anchor with the center of a backplate hole and push the anchor in up to the threads.
- 5** Screw the anchors the rest of the way in with a screwdriver.
- 6** Secure the backplate to the anchors with the provided screws and washers .

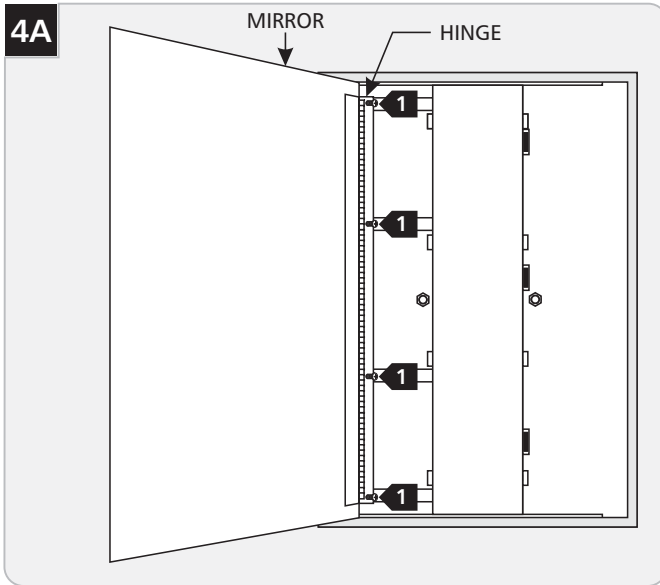
3D

- 7** Connect the fixture to a suitable ground in accordance with local electrical codes.
- 8** Connect the neutral power line wire to the white fixture wire with a wire nut.
- 9** Connect the hot power line wire to the black fixture wire with a wire nut.

3E

- 10** Replace the lid onto the center of the housing and tighten the screws.

Install the Mirror



- 1 Carefully attach the mirror hinge onto the fixture and tighten all four screws.

SAVE THESE INSTRUCTIONS!



TECH LIGHTING®

7400 Linder Ave, Skokie, IL 60077

847.410.4400

www.techlighting.com

© 2016 Tech Lighting, L.L.C. All rights reserved. The "Tech Lighting" graphic is a registered trademark of Tech Lighting, L.L.C. Tech Lighting reserves the right to change specifications for product improvements without notification.

A Generation Brands Company