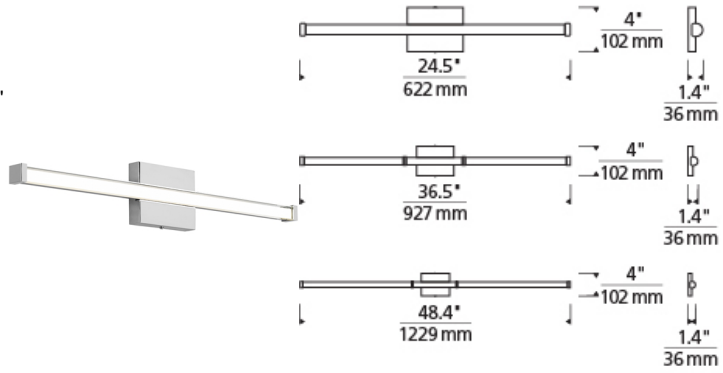


# BATH COLLECTION

**Gia Bath** 

## DESCRIPTION

A perfect balance of simplicity and sophistication. A sleek plate of glass floats in front of a special co-extruded remote phosphor LED channel to provide flawless, even illumination. 2' version includes 7.8 watts, 600 net lumens or 15.6 watts, 1200 net lumens; 4' version includes 15.6 watts, 1200 net lumens or 31.2 watts, 2400 net lumens of LEDs available in 4 CCT options and 2 CRI options.



clear



clear chrome    smoke satin nickel

## ORDERING INFORMATION

700BCGIAR	SHAPE OR SIZE	LENGTH (A)	COLOR	FINISH	LAMP	VOLTAGE
3	300LMS/FT	24 24"	C CLEAR	C CHROME	-LED824 LED 80 CRI 2400K	120 VOLT
6	600LMS/FT	36 36"	K SMOKE	S SATIN NICKEL	-LED830 LED 80 CRI 3000K	-277 277 VOLT
		48 48"			-LED835 LED 80 CRI 3500K	
					-LED840 LED 80 CRI 4000K	
					-LED930 LED 90 CRI 3000K	



**TECH LIGHTING®**

7400 Linder Avenue    T 847.410.4400  
Skokie, Illinois 60077    F 847.410.4500

Tech Lighting, L.L.C.

700 BCGIAR \_\_\_\_\_

FIXTURE TYPE: \_\_\_\_\_

JOB NAME: \_\_\_\_\_

NOTES: \_\_\_\_\_

\_\_\_\_\_

\_\_\_\_\_



©2015 Tech Lighting, L.L.C. All Rights Reserved. The "Tech Lighting" graphic is a registered trademark of Tech Lighting, L.L.C. Tech Lighting reserves the right to change specifications for product improvements without notification.