

GENERAL PRODUCT INFORMATION:

Mount to either a 4" square electrical box with round plaster ring or an octagonal electrical box.



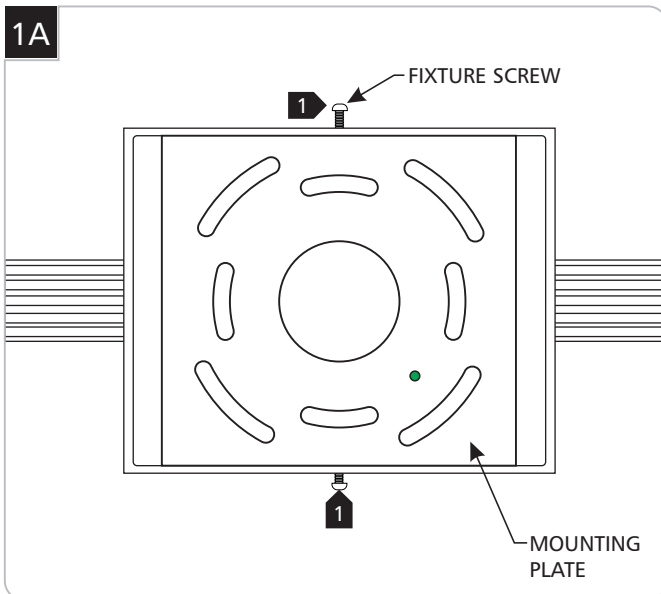
Suitable for damp locations.

CAUTION - RISK OF FIRE

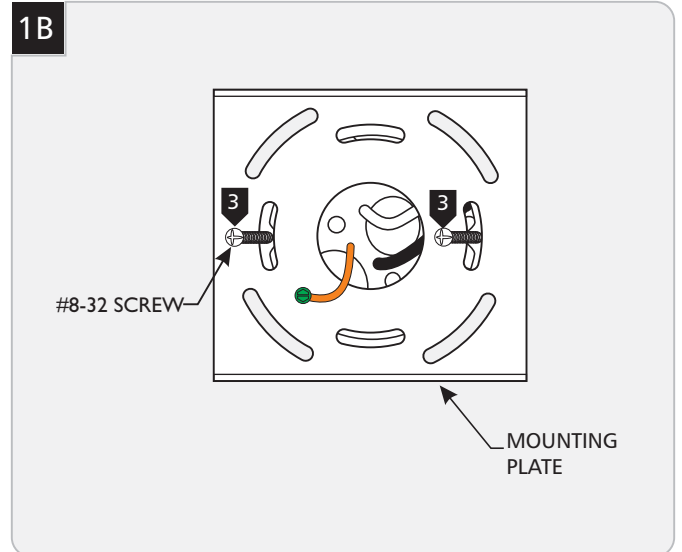
This product must be installed in accordance with the applicable installation code by a person familiar with the construction and operation of the product and the hazards involved.

Use minimum 90°C supply conductors.

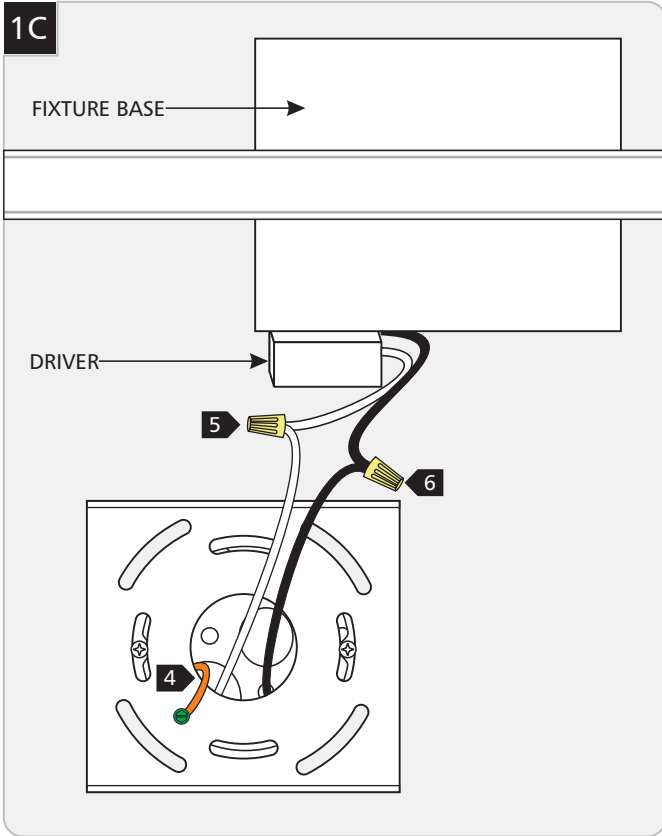
Install the Fixture



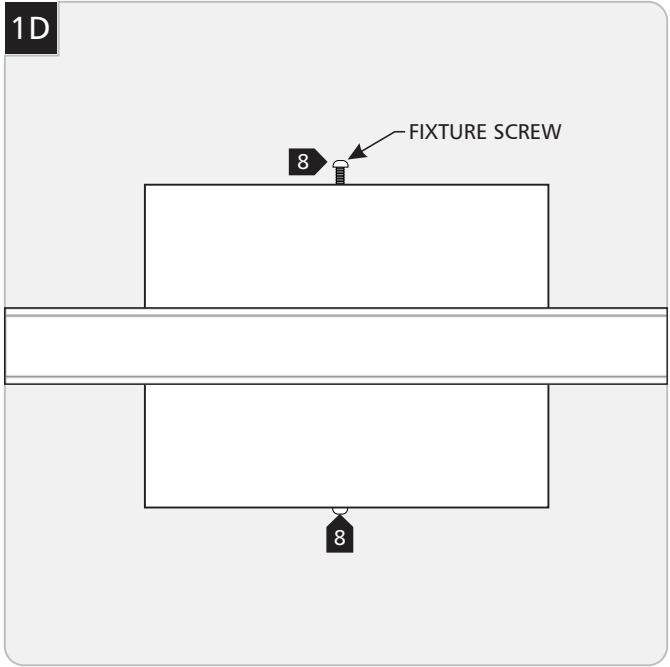
- 1 Remove the two fixture screws from the top and base of the fixture.
- 2 Remove the mounting plate from the back of the fixture.



- 3 Secure the mounting plate to the electrical box with the provided #8-32 screws .



- 4 Connect the fixture to a suitable ground in accordance with local electrical codes.
- 5 Connect the white fixture wire to the neutral power line wire with a wire nut.
- 6 Connect the black fixture wire to the hot power line wire with a wire nut.
- 7 Properly place the driver, wires, and wire nut connections into the fixture base.



- 8 Mount the fixture by sliding it back onto the mounting plate and reinstalling the two fixture screws (reversal of figure 1A).

SAVE THESE INSTRUCTIONS!

TECH LIGHTING®
 7400 Linder Ave, Skokie, IL 60077
 847.410.4400
 www.techlighting.com

© 2014 Tech Lighting, L.L.C. All rights reserved. The "Tech Lighting" graphic is a registered trademark of Tech Lighting, L.L.C. Tech Lighting reserves the right to change specifications for product improvements without notification.
 A Generation Brands Company