

LOW-VOLTAGE HEADS

Roto Head

DESCRIPTION

Simple geometries converge in this modern head that has been specifically designed to employ the SORAA® LED MR16 lamp and to celebrate its design characteristics. Also compatible with standard halogen MR16 lamps, 50 watt max. (Lamp Not Included). Accessory sold separately. Works with SORAA.

INSTALLATION

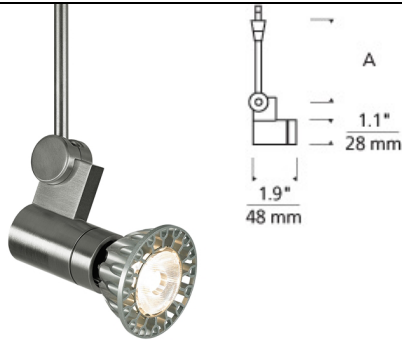
Socket terminates with FreeJack male connector, which may be installed into a system connector. Elements ordered with a system prefix include a connector for that system.

ACCESSORIES & OPTICAL CONTROLS

Bell Shade, Belladonna Shade, Cone Glass Shield, Cone Onyx Shield, Firebird Glass Shield, Hurricane Glass Shield Accessory, Lil Egypt Shade, Prism Glass Shield, Round Glass Shield, Scavo Glass Shade, Soda Glass Shade, Sugar Accessory, Taza Accessory, Tinkerbell Shade

WEIGHT

0.38lb / 0.17kg ±



with cone accessory



with soraa led lamp

ORDERING INFORMATION

700 SYSTEM	ROT	LENGTH (A)	FINISH
FJ	FREEJACK	03 3"	S SATIN NICKEL
MP	MONOPOINT	06 6"	
MO	MONORAIL	12 12"	
MO2	TWO-CIRCUIT MONORAIL	18 18"	
WMO	WALL MONORAIL		

Note: MP includes 4" Round Flush Canopy.



TECH LIGHTING®

7400 Linder Avenue
Skokie, Illinois 60077

T 847.410.4400
F 847.410.4500

Tech Lighting, L.L.C.

700 ____ ROT ____

FIXTURE TYPE: _____

JOB NAME: _____

NOTES: _____



©2015 Tech Lighting, L.L.C. All Rights Reserved. The "Tech Lighting" graphic is a registered trademark of Tech Lighting, L.L.C. Tech Lighting reserves the right to change specifications for product improvements without notification.