

# TAPRITE

## BEVERAGE DISPENSING EQUIPMENT CATALOG





3248 Northwestern Dr., San Antonio, Texas 78238 • 800-779-8488 • Fax 210-646-6009 • sales@taprite.com  
taprite.com

## Helping Companies Profit From Every Pour!



Taprite is a preferred supplier to many well known brands in the soda and beer industries around the world. Our regulators have been an industry standard for over 75 years and are regarded as best in the field. Taprite is owned by Aalberts Industries, which globally is the largest supplier of CO<sub>2</sub> regulators in the beverage industry. Taprite's quality products, innovative designs, and commitment to the industry make it the brand of choice!

### Taprite Products Include:

- Draft Beer Taps
- Keg Couplers
- Draft Towers
- Party Pumps
- Conversion Stands
- CO<sub>2</sub> Regulators
- Bag-in-Box Racks
- Stainless Steel Ice Chests
- Carbonation Testers
- Gauge Protectors

## Quality Beverages Deserve Quality Delivery Systems!

MADE IN THE USA



Regulatory Agency Listings:



Note: Not all items are NSF approved; only items marked with NSF are NSF approved.



Taprite Overview .....	2
Index .....	3
Regulators and Repair Kits .....	4-8
Regulator Accessories & Parts .....	9-12
Regulator Troubleshooting .....	13-17
Wall Mount Panels .....	18-19
Air Distributors .....	20-21
Tubing & Trunk Line .....	22-24
Splicers & Tail Pieces .....	25-27
Shanks .....	28-32
Keg Couplers .....	33-36
Party Pumps and Parts .....	37-40
Towers & Parts .....	41-45
Beer Faucets and Parts .....	46-49
Kegeator Conversion Kits .....	50-52
FOB & Carbonation Testers .....	53-54
Chillrite Chillers .....	55
Cleaning Kits & Accessories .....	56-58
Pumps & Valves .....	59
Keg Spears .....	60-62
Detailed Product Exploded Views .....	63-75
Custom Towers .....	76-78
Soda Equipment .....	79-104
Policies and Procedures .....	105
Limited Warranty .....	106

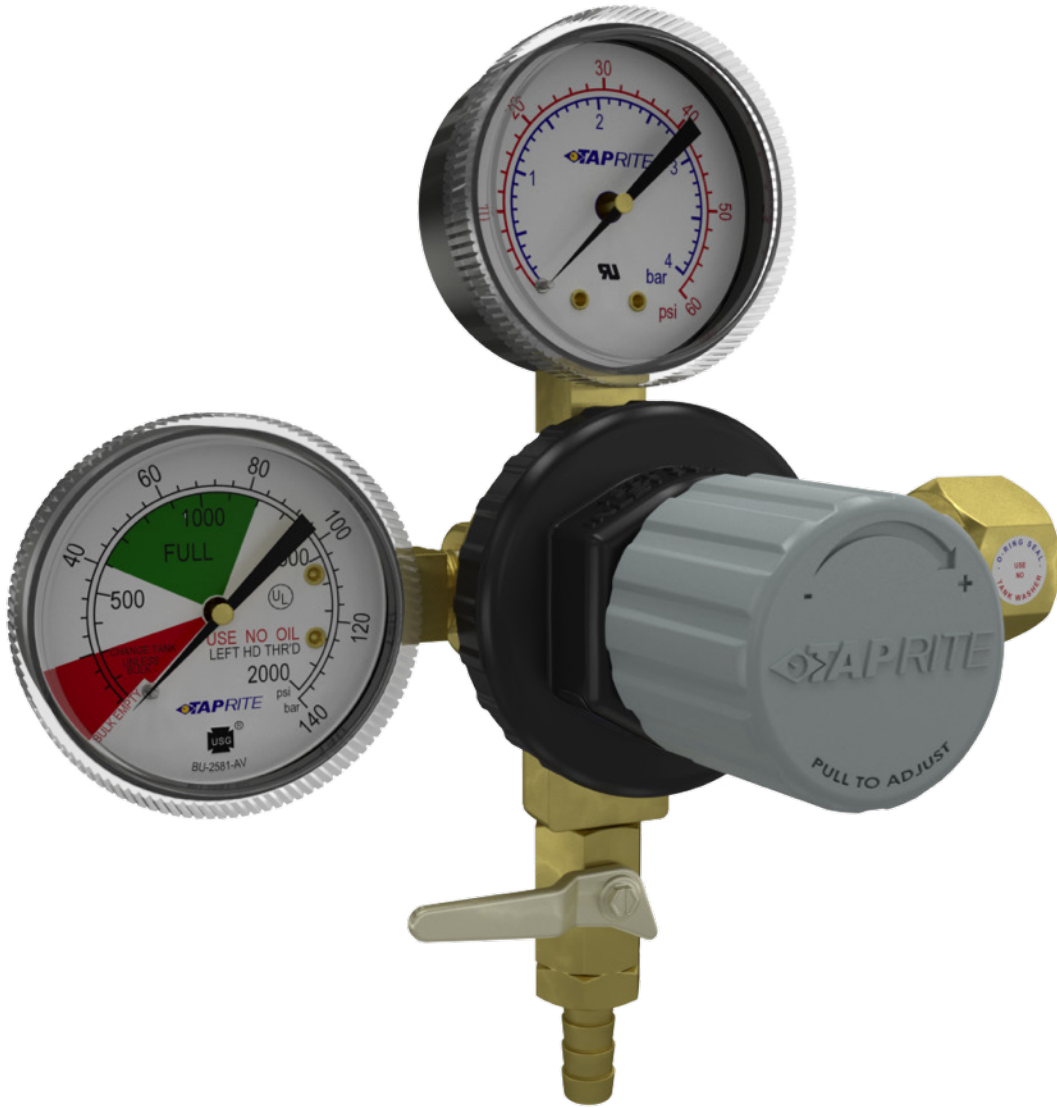
Not responsible for typographical or photographic errors.  
© July 2015 Taprite. All rights reserved.

***Taprite is committed in meeting and exceeding the highest standards.***



# 4

# REGULATORS



# REGULATORS – PRIMARY

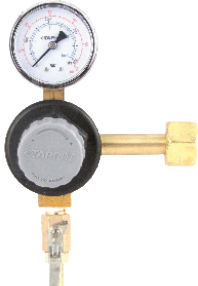
5

Taprite manufactures a wide variety of regulators for beer dispense. Our High Performance models are designed to provide maximum gas flow without freeze up. Taprite's beer dispense regulators are designed to operate in the range of 0-60psi (unless otherwise noted).

## PRIMARY CO<sub>2</sub> REGULATORS



3741-BR



T741



T742



T742HP



T742HP-01

MODEL #	DESCRIPTION	PK
3741-BR	Primary Beer Regulator for Home Dispense, 1P1P, CGA320 Inlet, 5/16" Barb Shutoff w/Check, 60lb and 2000lb Gauges	8
3741-BR-30MT	Primary Beer Regulator for Home Dispense, 1P1P, CGA320 Inlet, Manual Safety, T-Handle Adjustment, 5/16" Barb Shutoff w/Check, 30lb and 2000lb Gauges	8
FC741	Jockey Box Flow Control Regulator, CGA320 Inlet, 5/16" Barb w/Check Outlet, 12-18 PSI, No Gauges	8
FC741H	Jockey Box Flow Control Regulator, CGA320 Inlet, 5/16" Barb w/Check Outlet, 30-45 PSI, No Gauges	8
T741	Primary Beer Regulator, 1P1P, CGA320 Inlet, 5/16" Barb Shutoff w/Check, 60lb Gauge	8
T742*	Primary Beer Regulator, 1P1P, CGA320 Inlet, 5/16" Barb Shutoff w/Check, 60lb and 2000lb Gauges	8
T742-2	Primary Beer Regulator, 1P2P, CGA320 Inlet, 5/16"(2) Barb Shut-off w/Check, 60lb and 2000lb Gauges	8
T742EN	Primary Beer Regulator, 1P1P, Euro Inlet Fitting (30MM), 1/4" Barb Outlet, 60lb and 2000lb Gauges	8
T742HP	Primary Beer Regulator, 1P1P, High Performance, CGA320 Inlet, 5/16" Barb Shut-off Outlet w/Check, 60lb and 2000lb Gauges	8
T742HP-01	Primary Beer Regulator, 1P1P, CGA320 Inlet, 1/4" Flare Outlet w/Check, 60lb and 2000lb Gauges	8
T742HP-02	Primary Beer Regulator, 1P1P, CGA320 Inlet, 1/4" Flare Shut-off Outlet w/Check, 60lb and 2000lb Gauges	8
T5741PMHPT	Primary Beer Regulator, 1P1P, High Pressure, CGA320 Inlet, 5/16" Barb Shut-off Outlet w/Check, 160lb and 2000lb Gauges, Red Cap	8
T5741PMHPBK-01	Primary Beer Regulator, 1P1P, High Pressure, High Performance, CGA320 Inlet, 1/4" Barb Shut-off Outlet w/Check, 160lb and 2000lb Gauges	8
T752HP	Primary Beer Regulator, 2P2P, High Performance, CGA320 Inlet, 5/16" Barb Shut-offs w/Check, 60lb and 2000lb Gauges	1
T752HP-EN	Primary Beer Regulator, 2P2P, High Performance, Euro Inlet fitting 30mm, 5/16" Barb Shut-offs w/Check, 60lb and 2000lb Gauges	1
T752HP-01	Primary Beer Regulator, 2P2P, High Performance, CGA320 Inlet, 1/4" Flare Outlets w/Checks, 60lb and 2000lb Gauges	1
T752HP-02	Primary Beer Regulator, 2P2P, High Performance, CGA320 Inlet, 1/4" Flare Shut-offs w/Check, 60lb and 2000lb Gauges	1
T752WMHP-6	Primary Beer Regulator, 2P2P, High Performance, 1/4" Flare Inlet w/6' Hose (CGA320) 5/16" Barb Shut-offs w/Check, 60lb and 2000lb Gauges, Wall Mount	1

\*For a detailed product view, please refer to page 63

# 6

# REGULATORS – NITROGEN

## PRIMARY N<sub>2</sub> REGULATORS

\*Single Body Regulators (dual or single gauge) packed 8 per case

MODEL #	DESCRIPTION	PK
5741PMHPN	Primary Beer Regulator, 1P1P, N <sub>2</sub> , CGA580 Inlet, 1/4" Flare w/Check Outlet, 160lb and 3000lb Gauges	8
5741PMHPNT	Primary Beer Regulator, 1P1P, N <sub>2</sub> , CGA580 Inlet, 5/16" Barb Shut-off w/Check Outlet, 160lb & 3000lb Gauges	8
5741WMHPNT-6	Primary Beer Regulator, 1P1P, N <sub>2</sub> , 1/4" Flare Inlet w/6' Hose (CGA580), 5/16" Barb Shut-off Outlet w/Check, 160lb and 3000lb Gauges, Wall Mount	1
742HPN	Primary Beer Regulator, N <sub>2</sub> , 1P1P, CGA580 Inlet, 5/16" Barb Shut-off w/Duckbill Check, 60lb & 3000lb Gauges	8
742N	Primary Beer Regulator, N <sub>2</sub> , 1P1P, CGA580 Inlet, 5/16" Barb Shut-off w/Ball Check, 60lb & 3000lb Gauges	8



5741PMHPN



742HPN



T5741PMHPT



742N



T752HP



WMHP-6



5741WMHPNT-6

### THE TAPRITE ADVANTAGE

- Taprite regulators are built and tested in accordance with UL Standard 252 for compressed gas Regulators and UL 252A for compressed gas regulator accessories
- All Taprite regulator components and accessories are inspected by our Quality Department upon receipt in accordance with the requirements of MIL-STD-105E
- High CO<sub>2</sub> volumetric flow provides continuity in product dispensing
- Polycarbonate bonnet will not chip, break, or fade
- 10 Micron Filter built in to keep contaminants out of regulator
- One repair kit for primary and secondary regulators



Made in the USA

## SECONDARY REGULATORS (METAL MOUNTING BRACKET INCLUDED)

MODEL #	DESCRIPTION	PK
T1661ST	Secondary Beer Regulator, 1P1P, 5/16" Barb Inlet, 5/16" Barb Shut-off, 60lb Gauge	8
T1661ST-02	Secondary Beer Regulator, 1P1P, 3/8" Barb In/Thru, 5/16" Barb Shut-off, 60lb Gauge	8
T1661ST-2N	Secondary Beer Regulator, 1P1P, 5/16" Barb In/Thru, 5/16" Barb Shut-off, 60lb Gauge	8
T1661STC	Secondary Beer Regulator, 1P1P, 5/16" Barb Inlet, 5/16" Barb Shut-off w/Check, 60lb Gauge	8
T1661STC-01	Secondary Beer Regulator, 1P1P, 5/16" Barb In/Thru, 5/16" Barb Shut-off w/Check, 60lb Gauge	8
T1672ST	Secondary Beer Regulator, 2P2P, 5/16" Barb Inlet, 5/16" Barb Shut-offs, 60lb Gauges	1
T1672ST-2N	Secondary Beer Regulator, 2P2P, 5/16" Barb In/Thru, 5/16" Barb Shut-offs, 60lb Gauges	1
T1672STC	Secondary Beer Regulator, 2P2P, 5/16" Barb Inlet, 5/16" Barb Shut-offs w/Check, 60lb Gauges	1
T1672STC-01	Secondary Beer Regulator, 2P2P, 5/16" Barb In/Thru, 5/16" Barb Shut-offs w/Check, 60lb Gauges	1
T1683ST	Secondary Beer Regulator, 3P3P, 5/16" Barb Inlet, 5/16" Barb Shut-offs, 60lb Gauges	1
T1683ST-2N	Secondary Beer Regulator, 3P3P, 5/16" Barb In/Thru, 5/16" Barb Shut-offs, 60lb Gauges	1
T1683STC	Secondary Beer Regulator, 3P3P, 5/16" Barb Inlet, 5/16" Barb Shut-offs w/Check, 60lb Gauges	1

CONTINUE TO NEXT PAGE

*\*For detailed product views, please refer to pages 63-76*

T1661ST

T1661ST-02

T1672ST

T1683ST

T1694ST

T1695ST

# 8

# REGULATORS – REPAIR KITS

## REPAIR KITS

MODEL #	DESCRIPTION	PK
3740-17	Regulator Repair Kit for 3700 Series CO <sub>2</sub> Regulators, with Diaphragm, Capsule, and O-Ring Tank Seal	1
7740-15	Regulator Repair Kit for 2" Diaphragm, CO <sub>2</sub> Regulators, with Diaphragm, Capsule, and Flat Tank Seal	1
7740-15N	Regulator Repair Kit for 2" Diaphragm, N <sub>2</sub> Regulators, with Diaphragm, Capsule, and O-Ring Tank Seal	1



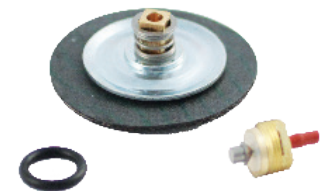
3740-17

## SECONDARY REGULATORS (METAL MOUNTING BRACKET INCLUDED) CONTINUED

MODEL #	DESCRIPTION	PK
T1683STC-01	Secondary Beer Regulator, 3P3P, 5/16" Barb In/Thru, 5/16" Barb Shut-off w/Check, 60lb Gauges	1
T1694ST	Secondary Beer Regulator, 4P4P, 5/16" Barb Inlet, 5/16" Barb Shut-off, 60lb Gauges	1
T1694ST-2N	Secondary Beer Regulator, 4P4P, 5/16" Barb In/Thru, 5/16" Barb Shut-off, 60lb Gauges	1
T1694STC	Secondary Beer Regulator, 4P4P, 5/16" Barb Inlet, 5/16" Barb Shut-offs w/Check, 60lb Gauges	1
T1694STC-01	Secondary Beer Regulator, 4P4P, 5/16" Barb In/Thru, 5/16" Barb Shut-off w/Check, 60lb Gauges	1
T1695ST	Secondary Beer Regulator, 5P5P, 5/16" Barb Inlet, 5/16" Barb Shut-off, 60lb Gauges	1
T1695ST-2N	Secondary Beer Regulator, 5P5P, 5/16" Barb In/Thru, 5/16" Barb Shut-off, 60lb Gauges	1
T1696ST	Secondary Beer Regulator, 6P6P, 5/16" Barb Inlet, 5/16" Barb Shut-off, 60lb Gauges	1
T1696ST-2N	Secondary Beer Regulator, 6P6P, 5/16" Barb In/Thru, 5/16" Barb Shut-off, 60lb Gauges	1



7740-15



7740-15N

**OTHER  
REGULATOR  
CONFIGURATIONS  
MAY BE  
AVAILABLE!  
PLEASE CALL  
800-779-8488**



T1696ST



## BONNETS & GAUGES

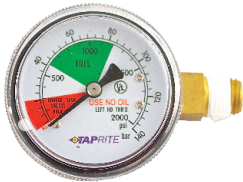
MODEL #	DESCRIPTION	PK
5605	Pressure Gauge, 0-160 PSI, 1/4" NPT Bottom Inlet, Right Hand Threads	10
624	Pressure Gauge, 0-60 PSI, 1/4" NPT Bottom Inlet, Right Hand Threads	10
6603	Pressure Gauge, 0-3000 PSI, Right Inlet, 1/4" NPT, Left Hand Threads	10
6603-2000	Pressure Gauge, 0-2000 PSI, Right Inlet, 1/4" NPT, Left Hand Threads	10
600GPS-01	Gauge Protector Boot, Black Rubber	10
744GP	Metal Gauge Guard for 2 Gauges, Black Powder Coat	1
3740-2PA	Regulator Bonnet Assembly, Black Zinc, for 3700 Series Regulators	1
740-2NPA	Regulator Bonnet Assembly for N <sub>2</sub> Regulators	1
740-601	Regulator Bonnet Assembly, Polycarbonate, Gold Cap, for Secondary Regulators	1
740-602	Regulator Bonnet Assembly, Polycarbonate, Silver Cap, for Primary Regulators	1
740-604	Regulator Bonnet Assembly, Polycarbonate, Red Cap, for High Performance Primary Regulators	1



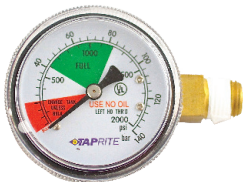
5605



624



6603



6603-2000



600GPS-01



744GP



740-604



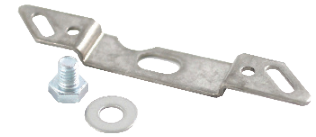
740-2NPA

## MOUNTING ACCESSORIES & HOSES

MODEL #	DESCRIPTION	PK
15-0017-60	Regulator Mounting Panel, 11" x 8.5", Galvanized	1
15-0018-60	Regulator Mounting Panel, 16" x 8.5", Galvanized	1
15-0019-60	Regulator Mounting Panel, 21"x 8.5", Galvanized	1
43-0006-00	Regulator Mounting Kit with S/S Bracket, Bolt, & Washer	1
7000-3A	High Pressure Hose Assembly, 3' Length, 1/4"Female Flare Swivel x CGA320 CO <sub>2</sub> Fitting, Vinyl Cover	1
7000-3ANIT	High Pressure Hose Assembly, 3' Length, 1/4"Female Flare x CGA580 N <sub>2</sub> Fitting	1
7000-3-2FL	High Pressure Hose Assembly, 3' Length, 1/4" Female Flare Swivel Fittings(2), Vinyl Cover	1
7000-6A	High Pressure Hose Assembly, 6' Length, 1/4"Female Flare Swivel x CGA320 CO <sub>2</sub> Fitting, Vinyl Cover	1
7000-6ANIT	High Pressure Hose Assembly, 6' Length, 1/4"Female Flare x CGA580 N <sub>2</sub> Fitting	1
7000-6-2FL	High Pressure Hose Assembly, 6' Length, 1/4" Female Flare Swivel Fittings(2), Vinyl Cover	1
7000-6EA-28	High Pressure Hose Assembly, 6' Length, 1/4"Female Flare Swivel x Euro CO <sub>2</sub> Fitting (28MM), Vinyl Cover	1
7000-6EA-30	High Pressure Hose Assembly, 6' Length, 1/4"Female Flare Swivel x Euro CO <sub>2</sub> Fitting (30MM), Vinyl Cover	1



15-0017-60



43-0006-00



7000-3A



440-18



440-19



740-18NB

## TOOLS

MODEL #	DESCRIPTION	PK
440-18	Bonnet and CO <sub>2</sub> Nut Wrench, 1 1/8" x 1 5/16" for Zinc Bonnet Regulators	1
440-19	Bonnet and CO <sub>2</sub> Nut Wrench, 1 1/8" x 1 5/8" for Poly Bonnet Regulators	1
740-18NB	CO <sub>2</sub> Nut Wrench, 1 1/8" Hex, Offset, Closed End	1

\*See more tools in **Cleaning Kits & Accessories** Pg. 56



1600A



440-17R



1600CA



5460



1600C-250



665U



2406-11



6600A



440-13UD



6600CA

## SHUT-OFFS & FITTINGS

MODEL #	DESCRIPTION	PK
1600A	Shut-off Valve, 1/4"NPT x 5/16" Hose Barb (for 5/16" ID Hose)	1
1600CA	Shut-off Valve, 1/4"NPT x 5/16" Hose Barb, w/Check Valve	1
1600C-250	Shut-off Valve, 1/4"NPT x 1/4" Hose Barb, w/Check Valve (for 1/4" ID Hose)	1
2406-11	Tank Nipple Inlet O-Ring, .424ID x .103CS 70DURO	10
440-13UD	Hex Nut for CO <sub>2</sub> Tank Connection, CGA 320, 1-1/8" Hex Hex Nut for CO <sub>2</sub> Tank Connection, CGA 320, 1-1/8" Hex	1
440-17R	Flat Ring Seal for CO <sub>2</sub> Inlet	10
5460	Y' Fitting Body, 1/4"NPT (Male) x (2) 1/4"NPT (Female), No Outlet Fittings	1
665U	Hex Plug, 1/4" NPT, 9/16" Hex, Right-Hand Threads, for Secondary Regulators	1
6600A	Shut-off Valve, 1/4"NPT x 1/4"Flare, No Check Valve	1

CONTINUE TO NEXT PAGE

## SHUT-OFFS & FITTINGS CONTINUED

MODEL #	DESCRIPTION	PK
6600CA	Shut-off Valve, 1/4" NPT x 1/4" Flare, w/Check Valve	1
70030L-DB312	Shut-off Valve, 1/4" NPT x 5/16" Barb, with Duckbill Check Valve (for 5/16" ID Hose)	1
740-12	CO <sub>2</sub> Inlet Nipple with O-Ring Tank Seal, Left Hand Threads	1
740-12N	N <sub>2</sub> Inlet Nipple, CGA 580, with O-Ring Tank Seal, Left Hand Threads	1
740-13N	N <sub>2</sub> Tank Nut, CGA 580, Male Threads	1
740-16	1/4" NPT Plug, Left Hand Threads, Allen Socket Head, for Primary Regulators	1
740-19	Regulator Nipple Assembly w/ Flat Ring Tank Seal, CGA320 CO <sub>2</sub> Nut, Left-Hand Thread	1
763	Fiber Washer	10
763D	Protective CO <sub>2</sub> Washer, Red Delrin	10



70030L-DB312



740-16



740-12



740-19



740-12N



763



740-13N



763D

*Questions? Call us at 800-779-8488 for technical assistance*

PROBLEM	ROOT CAUSE	SOLUTION
<b>Leak at top Bonnet hole</b>	Capsule seat leak	Reseat Capsule & apply proper torques (self centering -60 in/lbs; ball and socket -40 in/lbs) Replace capsule seat
	Diaphragm leak	Reseat Diaphragm if self-centering type; replace diaphragm
	Improper capsule/diaphragm assembly	Check that capsule ball is inside diaphragm hex slot, tighten/align per assembly instructions
<b>Leak at the Bonnet thread</b>	Bonnet not seated properly	Check for cross threading; Reseat bonnet and apply proper torque
	Loose bonnet	Retighten bonnet with proper torque (zinc -190 in/lbs; poly-190in/lbs)
	Paint in thread (zinc only)	Scrap Bonnet and replace with a new one
<b>Leak at the fittings</b>	Fitting not tight	Remove fitting and apply teflon tape and loc-tite Install fitting until tight
	Crossed threads	Remove fitting and replace with a new one
<b>Leak at tank fitting</b>	Fitting not tight on tank	Retighten fitting until tight on tank valve
	Damaged or worn out seal	Replace seal (o-ring/washer)
	Damaged nut or tank fitting	Replace nut/tank fitting
<b>Leak at the safety</b>	Debris at sealing surface	Remove safety and check the quad ring for debris & clean
<b>Unable to turn bonnet screw or top adjustment cap/knob</b>	Adjustment screw threads are crossed	Replace zinc bonnet assembly
	Adjustment knob is stripped	Replace poly bonnet assembly

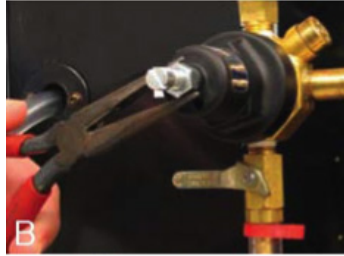
Refer to pages 4 - 12 for detailed product listings of available Taprite regulators, spare parts and accessories.

# 14 HOW DO I SET A REGULATOR?

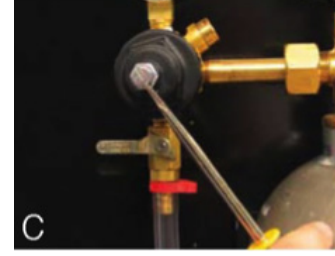
Once the regulator is securely attached to the gas cylinder and the coupler attached to the keg:



**A**  
With the shutoff valve on the regulator closed, open the valve on the gas cylinder completely. The handle on the shutoff should be perpendicular to the tubing.



**B**  
With your fingers or a pair of pliers, loosen the adjustment nut, allowing the screw to be turned. Turn the screw counterclockwise until it can no longer be turned.  
If you are using a regulator with a polycarbonate bonnet, pull the bonnet cap out by hand to allow adjustment. Turn the knob counterclockwise to the stop position (turning past the stop position will damage the adjustment knob).



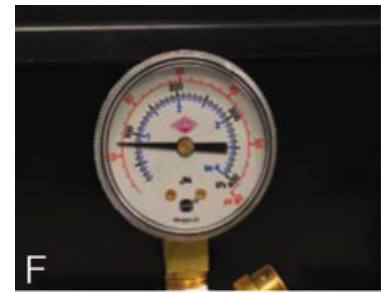
**C**  
Slowly turn the regulator adjustment screw or knob clockwise until the desired pressure is shown on the output pressure gauge. Turning clockwise will increase the output pressure and you will feel greater resistance as psi setting goes up. Tighten the adjustment screw or snap the cap back down to "lock in" your pressure setting.  
Note: Most domestic beer companies recommend setting the regulator at 12psi for Lager or Ale. As this may not be true for higher altitudes or special beer brands, please consult your keg provider or brewer for details.



**D**  
Open the shutoff valve on the regulator to allow gas to flow from the regulator to the keg coupler. You will now hear the keg pressurizing. The output pressure needle will drop momentarily and the return to your set pressure once this is complete.



**E**  
The keg coupler is designed with a built-in pressure relief valve (PRV). Pull the ring on the PRV and hold it open for 5-6 seconds, allowing gas to vent. This will permit full gas flow through the regulator and help to obtain a more accurate reading on the output gauge.



**F**  
Re-check the output pressure on the regulator and readjust if necessary, using steps B and C, until the desired pressure is reached.  
Note: It is always wise to follow up on any adjustments to the regulator with a brief pull of the PRV ring to ensure accurate output reading.

## How many kegs of draught beer can be dispensed from one CO<sub>2</sub> tank?

As a general rule of thumb, it takes about a 1lb of CO<sub>2</sub> to dispense a ½ barrel of draught beer. A properly filled gas tank will show a pressure of about 750psig at 72°F, but may be slightly lower or higher depending on temperature. The pressure should read in the 750psig range until the liquid CO<sub>2</sub> in the cylinder is depleted.

## When proper CO<sub>2</sub> pressure and temperature are maintained, keg beer being dispensed will remain fresh:

- Approximately 45-60 days for non-pasteurized draught beers.
- Approximately 90-120 days for pasteurized draught beers.
  - › If, for some reason, you must disconnect the CO<sub>2</sub> supply from your keg for an extended period of time, be sure to remove the coupler from the keg to keep additional air out of the system.

## Quick checklist:

- › Is the keg stored between 36-38°F, and is the same temperature maintained all the way to the point of dispense?
- › Is the CO<sub>2</sub> pressure between 12-14psi (38psi for Stout beer)?
- › Have the faucet, beer line, keg coupler, and beer glasses been cleaned (with chemicals specifically manufactured for beer hose cleaning) on a regular basis?

## Almost all dispensing problems are the result of:

- Improper Temperature (>38°)
- Improper Pressure (<10 or 14psi<)
- Cleaning Issues (Beer Stone)

**Many of our clients often ask us, “What does Taprite’s regulator have that others’ don’t?”**

Well, not to toot our own horn, but Taprite brand regulators are superior to many regulators in the industry for several reasons. Here’s a few:

1. The most obvious to spot is that the Taprite Regulator has a hand dial (red circular dial in the center of the regulator) as opposed to the other regulators having a screw driver dial. The hand dial makes it very convenient to adjust your pressure at any time without having to grab a screwdriver to do so. Although this doesn’t sound like that big of deal, having the hand dial makes life a whole hop easier!
2. The Taprite regulators maintain better pressure, even when your tank gets low. Some regulators have a hard time keeping accurate pressure as the CO2 tank empties, but with the Taprite regulator, your kegs will always be under the exact pressure that you want!
3. Taprite regulators have superior seals; they have a permanent Quad-Ring Seal on the inlet nipple, which helps eliminate a source of leaks. So, that pesky task of replacing your fiber washer every time you change your tank is long gone! Permanent seals means less leaks, and a longer life.
4. Taprite Regulators are approved for use by all major breweries.
5. The Taprite Regulator has a “Shut down” safety system (blow off at 55 to 60 PSI.)
6. Taprite regulators also use Heavy duty UL rated dual gauges.

We can vouch for our Taprite Regulator’s until we’re blue in the face, but until you experience Taprite’s Regulator for yourself, we’re just boiling mash.

We hope this helps you *Weizen* up when it comes time to purchase your next regulator!

Series 740 includes models like T741, T742, T742HP, and T742HP. All of these regulators are beer, primary regulators for use with CO<sub>2</sub>. They are made to dispense beer at pressures up to 50lbs (safety blow off pressure is 60±5psi); most lager type beers are dispensed at 12-14psi. Most of these regulators have a 5/16" barb outlet fitting. The standard 740 regulator comes with a grey bonnet cap; "HP" models come with a red bonnet cap.

Series 1660 includes models like T1661ST, T1672STC-02, T1683ST-2N, and T1694STWMK. All of these models are beer, secondary regulators. Beer secondary regulators can be used with either CO<sub>2</sub>, Nitrogen, or blended "beer gas". They are made to dispense beer at pressures up to 50lbs (safety blow off pressure is 60±5psi); most lager type beers are dispensed at 12-14psi.) Most of these regulators have a 5/16" barb outlet fitting. 1600 series regulators have a gold bonnet cap.

Series 5740 includes models like T5741PMHPBK, T5752HP-01, and T5754WMHP-TAY. All of these models are primary regulators for use with CO<sub>2</sub>. They can be used with either beer or soda dispense; most sodas and some beers require dispense pressures that exceed the 60psi rating of the 740 and 1600 series. They are made to dispense beverages at pressures up to 120psi (safety blow off pressure is 130±4psi). Most of these regulators have a ¼" flare outlet fitting. 5700 series regulators may have red, black, or blue bonnet caps.

Series 5260 includes models like T5261ST, T5272SNG, and T5283SN. All of these models are soda, secondary regulators. They are made to dispense beverages at pressures up to 120psi (safety blow off pressure is 130±4psi). Most of these regulators have a ¼" flare outlet fitting. 5200 Series regulators come with blue, black, or gold bonnets.

Series 3740 includes models like 3741, 3741-BR, and 3752. These are all primary regulators designed for use with CO<sub>2</sub>. They are primarily designed for use with soda, but models 3741E, 3741-BR are designed for use with beer. Their maximum dispense pressures and outlet fittings depend on whether they are for beer or soda. Series 3000 regulators all have small, black, zinc bonnets.

Series 5740 and 740 regulators that do not begin with "T", like 742N, 742HPN, 5741PMHPN, and 5741PMHPNT, are all primary, beer regulators designed for use with Nitrogen. Their maximum dispense pressure depends on their series. Their outlet fittings may be either barbs or flare fittings. All regulators for use with Nitrogen have large, black, zinc bonnets. The zinc bonnet is required for the higher tank pressure seen with Nitrogen.



Clarification regarding use of Taprite Polycarbonate Bonnet Regulators with Nitrogen Gas

***All Taprite regulators are built and tested in accordance with UL Standard 252 for Compressed Gas Regulators and UL 252A for Compressed Gas Regulator Accessories***

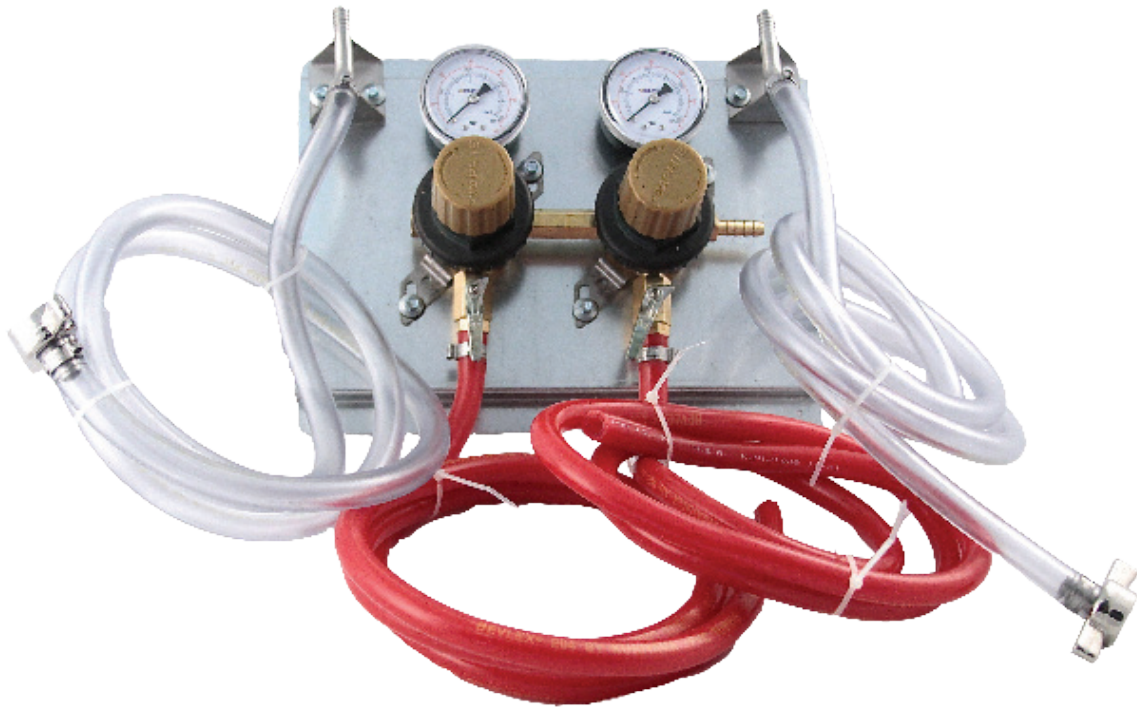
Taprite primary regulators with polycarbonate bonnets and adjustment knobs are not designed or rated for direct use with Nitrogen Gas, as Nitrogen Cylinders have a fill pressure of 2200psi. These regulators are rated for use only with CO<sub>2</sub> or Compressed Air Cylinders, with fill pressures in the 850 – 900psi range.

Taprite secondary regulators with polycarbonate bonnets and adjustment knobs can safely be used downstream of Nitrogen, Argon, CO<sub>2</sub>, or Compressed Air. This is because the high pressure associated with the cylinder itself is reduced to a safe working pressure through use of a primary regulator.

The imprinted message “NOT FOR USE WITH NITROGEN” seen on Taprite polycarbonate regulators is solely a prohibition against connecting the regulator directly to a Nitrogen Cylinder. Polycarbonate regulators should never be used as primary regulators with Nitrogen Gas. Taprite does offer a range of primary regulators specifically for use with Nitrogen; these regulators feature zinc bonnets designed to withstand the higher pressures associated with Nitrogen Cylinders. All Taprite secondary regulators are safe and approved for use with Nitrogen, Argon, CO<sub>2</sub>, and Compressed Air.

If you have further questions regarding Taprite regulators and related accessories, please do not hesitate to contact us through our website [www.taprite.com](http://www.taprite.com).

# 18 | WALL MOUNT PANELS





**T1661STWMK**



**T1672STWMK-01**



**T1683STWMK-01**

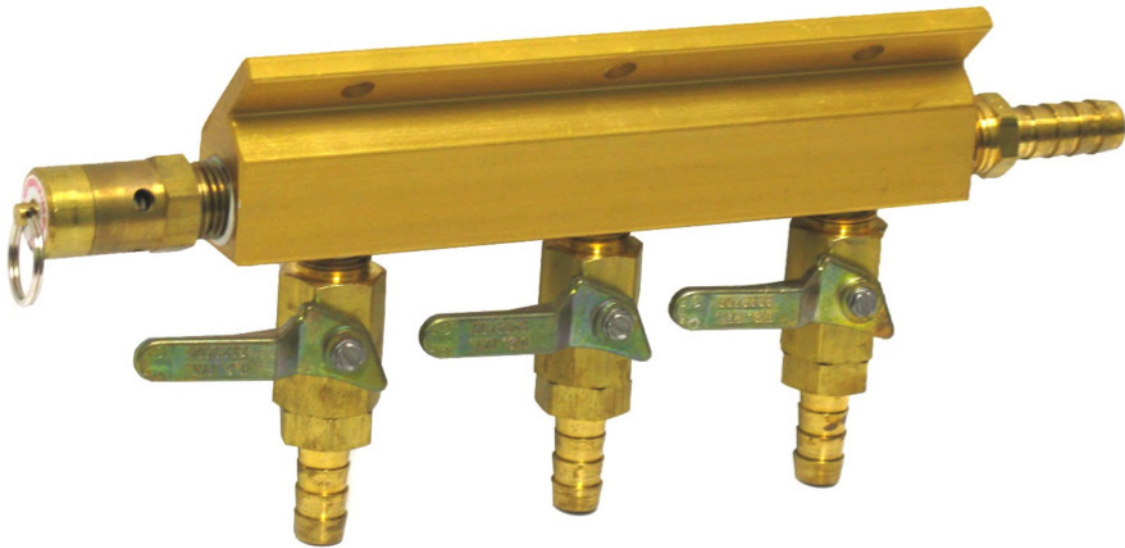


**T1694STWMK-01**

## PANEL MOUNTED SECONDARY REGULATORS

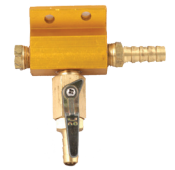
MODEL #	DESCRIPTION	PK
<b>T1661STWMK</b>	Secondary Beer Regulator, 1P1P, Mounted on 8 1/2" x 11" Panel, w/Beer Y, 5/16" Barb Inlet, 5/16" Barb Shut-off, 60lb Gauge	<b>1</b>
<b>T1661STWMK-01</b>	Secondary Beer Regulator, 1P1P, Mounted on 8 1/2" x 11" Panel, w/Beer Y, Tubing, 5/16" Barb Inlet, 5/16" Barb Shut-off, 60lb Gauge	<b>1</b>
<b>T1672STWMK</b>	Secondary Beer Regulator, 2P2P, Mounted on 8 1/2" x 11" Panel, w/2 Beer Ys, 5/16" Barb Inlet, 5/16" Barb Shut-offs, 60lb Gauges	<b>1</b>
<b>T1672STWMK-01</b>	Secondary Beer Regulator, 2P2P, Mounted on 8 1/2" x 11" Panel, w/2 Beer Y's, Tubing, 5/16" Barb Inlet, 5/16" Barb Shut-offs, 60lb Gauges	<b>1</b>
<b>T1683STWMK</b>	Secondary Beer Regulator, 3P3P, Mounted on 8 1/2" x 16" Panel, w/3 Beer Y's, 5/16" Barb Inlet, 5/16" Barb Shut-offs, 60lb Gauges	<b>1</b>
<b>T1683STWMK-01</b>	Secondary Beer Regulator, 3P3P, Mounted on 8 1/2" x 16" Panel, w/3 Beer Y's, Tubing, 5/16" Barb Inlet, 5/16" Barb Shut-offs, 60lb Gauges	<b>1</b>
<b>T1694STWMK</b>	Secondary Beer Regulator, 4P4P, Mounted on 8 1/2" x 21" Panel, w/4 Beer Y's, 5/16" Barb Inlet, 5/16" Barb Shut-offs, 60lb Gauges	<b>1</b>
<b>T1694STWMK-01</b>	Secondary Beer Regulator, 4P4P, Mounted on 8 1/2" x 21" Panel, w/4 Beer Y's, Tubing, 5/16" Barb Inlet, 5/16" Barb Shut-offs, 60lb Gauges	<b>1</b>
<b>T1695STWMK</b>	Secondary Beer Regulator, 5P5P, Mounted on 8 1/2" x 21" Panel, w/5 Beer Y's, 5/16" Barb Inlet, 5/16" Barb Shut-offs, 60lb Gauges	<b>1</b>

**CONTACT US FOR MORE OPTIONS**

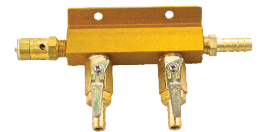


## AIR DISTRIBUTORS (ANODIZED ALUMINUM)

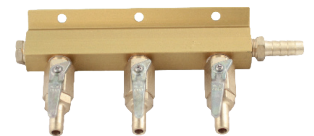
MODEL #	DESCRIPTION	PK
1741	1-Way Horizontal Manifold w/o Safety, 3/8" Barb Inlet, 5/16" Barb Shut-off	10
1742	2-Way Horizontal Manifold w/o Safety, 3/8" Inlet, (2) 5/16" Barb Shut-offs	10
1742C	2-Way Manifold w/o Safety, 3/8" Inlet, (2) 5/16" Barb Shut-offs w/Checks	10
1742S	2-Way Manifold with Manual Safety, 3/8" Barb Inlet, (2) 5/16" Barb Shut-offs	10
1743	3-Way Horizontal Manifold w/o Safety, 3/8" Barb Inlet, (3) 5/16" Barb Shut-offs	10
1743-C	3-Way Manifold w/o Safety, 3/8" Barb Inlet, (3) 5/16" Barb Shut-offs w/Checks	10
1743S	3-Way Manifold with Manual Safety, 3/8" Barb Inlet, (3) 5/16" Barb Shut-offs	10
1744	4-Way Manifold w/o Safety, 3/8" Barb Inlet, (4) 5/16" Barb Shut-offs	8
1744-C	4-Way Manifold w/o Safety, 3/8" Barb Inlet, (4) 5/16" Barb Shut-offs w/Checks	8



1741



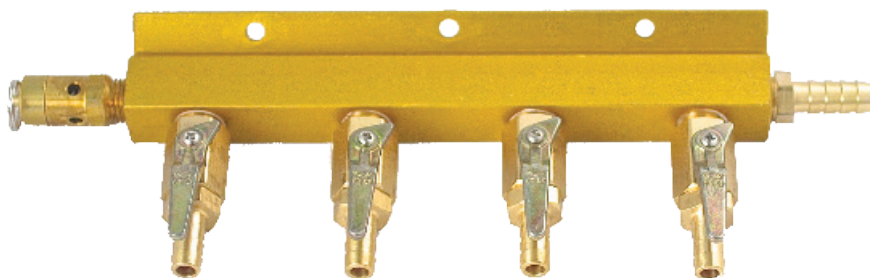
1742S



1743



1744



1744S

# 22 | TUBING & TRUNK LINE



## BEVERAGE AND GAS TUBING SERIES 200 THERMOPLASTIC VINYL HOSE

### *Thermoplastic Vinyl Hose*

Bevlex PVC Tubing is used for draft beer transfer and bag-in-box soft drink applications. NSF-51 Listed.

Special dual durometer construction

combines a low extraction inner contact surface with a flexible outer layer for excellent kink resistance and taste protection properties.

MODEL #	DESCRIPTION	PK
547B-100	Vinyl Beverage/Gas Tubing, 3/16" ID x 7/16" OD, Black, 100' Roll (Uses Clamp Size 13.3)	1
547C-500	Vinyl Beverage/Gas Tubing, 3/16" ID x 7/16" OD, Clear, 500' Roll (Uses Clamp Size 13.3)	1
547C-100	Vinyl Beverage/Gas Tubing, 3/16" ID x 7/16" OD, Clear, 100' Roll (Uses Clamp Size 13.3)	1
548C-100	Vinyl Beverage/Gas Tubing, 1/4" ID x 1/2" OD, Clear, 100' Roll (Uses Clamp Size 14.5)	1
548C-100	Vinyl Beverage/Gas Tubing, 1/4" ID x 1/2" OD, Clear, 100' Roll (Uses Clamp Size 14.5)	1
549C-500	Vinyl Beverage/Gas Tubing, 5/16" ID x 9/16" OD, Clear, 500' Roll (Uses Clamp Size 15.7 or 17.0)	1
553R-100	Vinyl Beverage/Gas Tubing, 5/16" ID x 9/16" OD, Red, 100' Roll (Uses Clamp Size 15.7 or 17.0)	1
553R-500	Vinyl Beverage/Gas Tubing, 5/16" ID x 9/16" OD, Red, 500' Roll (Uses Clamp Size 15.7 or 17.0)	1
550B-100	Vinyl Beverage/Gas Tubing, 3/8" ID x 5/8" OD, Black, 100' Roll (Uses Clamp Size 18.5)	1
550C-100	Vinyl Beverage/Gas Tubing, 3/8" ID x 5/8" OD, Clear, 100' Roll (Uses Clamp Size 18.5)	1
550C-500	Vinyl Beverage/Gas Tubing, 3/8" ID x 5/8" OD, Clear, 500' Roll (Uses Clamp Size 18.5)	1
551C-100	Vinyl Beverage/Gas Tubing, 1/2" ID x 3/4" OD, Clear, 100' Roll (Uses Clamp Size 21.0)	1

## SERIES K3150 BRAIDED VINYL TUBING

### *Blue-tinted Crystal Clear PVC*

### *Construction Braided Vinyl Tubing*

Food-grade materials — CLEARBRAID® hose is NSF-51 and NSF-61 listed.

Glass smooth interior — stays clean and reduces pressure loss.

Spiraled polyester yarn reinforcement with multiple longitudinal polyester yarn — provides pressure performance and kink-resistance while reducing elongation under pressure, orange tracer yarn provides easy identification.

MODEL #	DESCRIPTION	PK
548WD-100	Braided Vinyl Tubing, 1/4" ID x .438" OD, Clear, 100' Roll (Uses Clamp Size 13.3)	1
549WD-100	Braided Vinyl Tubing, 5/16" ID x .531" OD, Clear, 100' Roll (Uses Clamp Size 15.7)	1
550WD-100	Braided Vinyl Tubing, 3/8" ID x .594" OD, Clear, 100' Roll (Uses Clamp Size 17.0)	1

# 24 TUBING & TRUNK LINE (CONT.)

## SERIES 235 NON-BRAIDED BARRIER TUBING

### Non-Braided Barrier Tubing

Bev-Seal Ultra® Series 235 Tubing.

Unsurpassed oxygen and flavor protection

combined with flushability in a coextruded tube. NSF-51 and NSF-61 listed.

MODEL #	DESCRIPTION	PK
548BT-500	Non-Braided Barrier Tubing, 0.265" ID x .375" OD, 500' Roll (Uses Clamp Size 10.5)	1
549BT-500	Non-Braided Barrier Tubing, 0.320" ID x .437" OD, 500' Roll (Uses Clamp Size 13.3)	1
550BT-500	Non-Braided Barrier Tubing, 0.380" ID x .500" OD, 500' Roll (Uses Clamp Size 14.5)	1

## SERIES 971/973 INSULATES BARRIER TUBING BUNDLES

### Insulated Barrier Tubing Bundles

Non-cabled and cabled insulated bundles are comprised of flushable Bev-Seal Ultra® tubes each color coded and individually numbered, and black-colored coolant tubes strategically placed and designed to provide optimum cooling. A tear-resistant aluminized film wrap over the group of tubes

further enhances the insulating properties of the 3/4" thick tubular foam sleeve. A black extruded jacket with slip agent to minimize friction is branded with product identification, NSF listing marks, and footage counter marks. Other jacket colors available (some limitations may apply).

MODEL #	DESCRIPTION	PK
CDI432-250	Insulated Barrier Tubing, 4 - 3/8" x .500, 3" OD, 250' Reel (Uses Clamp Size 14.5)	1
CDI632-250	Insulated Barrier Tubing, 6 - 3/8" x .500, 3.4" OD, 250' Reel (Uses Clamp Size 14.5)	1
CDI832-250	Insulated Barrier Tubing, 8 - 3/8" x .500, 3.5" OD, 250' Reel (Uses Clamp Size 14.5)	1
CDI1034-250	Insulated Barrier Tubing, 10 - 3/8" x .500, 3.8" OD, 250' Reel (Uses Clamp Size 14.5)	1
CDI1234-250	Insulated Barrier Tubing, 12 - 3/8" x .500, 4" OD, 250' Reel (Uses Clamp Size 14.5)	1

## TUBING CLAMPS

MODEL #	DESCRIPTION	PK
36-0105-00	Stepless Oetiker Clamp, Size 10.5 for 3/8" OD Tubing	100/box
36-0123-00	Stepless Oetiker Clamp, Size 12.3 for 7/16" OD Tubing	100/box
36-0133-00	Stepless Oetiker Clamp, Size 13.3 for 7/16" OD Tubing	100/box
36-0145-00	Stepless Oetiker Clamp, Size 14.5 for 1/2" OD Tubing	100/box
36-0157-00	Stepless Oetiker Clamp, Size 15.7 for 9/16" OD Tubing	100/box
36-0162-00	Stepless Oetiker Clamp, Size 16.2 for 7/16" OD Tubing	100/box
36-0170-00	Stepless Oetiker Clamp, Size 17.0 for 9/16" OD Tubing	100/box
36-0185-00	Stepless Oetiker Clamo, Size 18.5 for 5/8" OD Tubing	100/box
36-0210-00	Stepless Oetiker Clamp, Size 21.0 for 3/4" OD Tubing	100/box



36-0123-00







1331

MODEL #	DESCRIPTION	PK
1331	Pocket Sized, Beverage Hose Cutter	1
525	Wing Nut with Beer Threads	10
526A	Shank Tailpiece for 3/16" ID Hose	10
526AS	Shank Tailpiece for 3/16" ID Hose, Stainless Steel	10
526B	Shank Tailpiece for 1/4" ID Hose	10
526BS	Shank Tailpiece for 1/4" ID Hose, Stainless Steel	10
526E	Shank Tailpiece for 5/16" ID Hose	10
526ES	Shank Tailpiece for 5/16" ID Hose, Stainless Steel	10
526C	Shank Tailpiece for 3/8" ID Hose	10
526D	Shank Tailpiece for 1/2" ID Hose	10



526A



526C



526E



526B



526D



525

MODEL #	DESCRIPTION	PK
526AB-SS	Hose Splicer, 1/4" x 3/16" (for 1/4" and 3/16" ID Hose), Stainless Steel	10
526A2-SS	Hose Splicer, 3/16" x 3/16" (for 3/16" and 3/16" ID Hose), Stainless Steel	10
526AE-SS	Hose Splicer, 3/16" X 5/16" (for 3/16" and 5/16" ID Hose), Stainless Steel	10
526AC-SS	Hose Splicer, 3/16" x 3/8" (for 3/16" and 3/8" ID Hose), Stainless Steel	10
526B2-SS	Hose Splicer, 1/4" X 1/4" (for 1/4" ID Hose), Stainless Steel	10
526BE-SS	Hose Splicer, 1/4" X 5/16" (for 1/4" and 5/16" ID Hose), Stainless Steel	10
526E2-SS	Hose Splicer, 5/16" X 5/16" (for 5/16" ID Hose), Stainless Steel	10
526CE-SS	Hose Splicer 5/16" X 3/8" (for 5/16" and 3/8" ID Hose), Stainless Steel	10
526C2-SS	Hose Splicer, 3/8" X 3/8" (for 3/8" ID Hose), Stainless Steel	10
80228	Hex Nut, 1" (Beer Thread, 29/32-14)	10
80228SS	Hex Nut, 1" (Beer Thread, 29/32-14), Stainless Steel	10



526AB-SS



526A2-SS



526AC-SS



526B2-SS



526E2-SS



526BE-SS



526C2-SS



80228



\* Full Assemblies Includes Shank, Flange, Sleeve, Locking Ring, Coupling Nut & Locking Nut.

## FULL ASSEMBLIES WITH BARBS – LISTED IN ORDER OF SHANK LENGTH



MODEL #	DESCRIPTION	PK
D4N-3A	Draft Tower Shank Assembly, 2 1/4" Long, 1/4" Counterbore, for 2 1/2" Diameter Tower	5
D4N-3-3A	Draft Tower Shank Assembly, 2 1/4" Long, 1/4" Counterbore, for 3" Diameter Tower	5
4333NA	Beer Shank Assembly, 3" Length, 1/4" Bore, 5/16" Barb, Plastic Flange	5
4333NAF	Beer Shank Assembly, 3" Length, 1/4" Bore, 5/16" Barb, Stainless Flange	1
4334NA-3	Beer Shank Assembly, 4 1/8" Length, 1/4 Counterbore, 1/4" Barb, Plastic Flange	1
4334NA	Beer Shank Assembly, 4 1/8" Length, 1/4" Bore, 5/16" Barb, Plastic Flange	1
4334NAF	Beer Shank Assembly, 4 1/8" Length, 1/4" Bore, 5/16" Barb, Stainless Flange	10
4334NA-3	Beer Shank Assembly, 4 1/8" Length, 1/4 Counterbore, 1/4" Barb, Plastic Flange	1
4336NA	Beer Shank, 5 1/8" Length, 1/4" Bore, 5/16" Barb, Plastic Flange	1
4336NAF	Beer Shank, 5 1/8" Length, 1/4" Bore, 5/16" Barb, Stainless Flange	1
4336NA-3	Beer Shank Assembly, 5 1/8" Length, 1/4" Counterbore, 1/4" Barb, Plastic Flange	1

## SHANK PARTS

MODEL #	DESCRIPTION	PK
610B	Flanged Lock Nut for Beer Shanks, 1-3/16" Hex, 29/32-14 Thread	10
4328	Faucet Shank Locking Ring	10
4330	Faucet Shank Barrel Sleeve	10
4332	Faucet Shank Coupling Nut, Chrome Plate, 1 1/8 - 18	10
4346F	Shank Flange, Stainless Steel	5
4346P	Shank Flange, Black Plastic	5

# 30 SHANKS (CONT.)

## FULL ASSEMBLIES WITHOUT BARBS – LISTED IN ORDER OF SHANK LENGTH

\* Tailpieces Sold Separately

MODEL #	DESCRIPTION	PK
4331A	Beer Shank Assembly, 2" Length, 1/4" Bore, Plastic Flange, No Tailpiece	10
4333A	Beer Shank Assembly, 3" Length, 1/4" Bore, Plastic Flange, No Tailpiece	10
4333AF	Beer Shank Assembly, 3" Length, 1/4" Bore, Stainless Flange, No Tailpiece	10
4334A	Beer Shank Assembly, 4 1/8" Length, 1/4" Bore, Plastic Flange, No Tailpiece	10
4334AF	Beer Shank Assembly, 4 1/8" Length, 1/4" Bore, Stainless Flange, No Tailpiece	10
4336A	Beer Shank Assembly, 5 1/8" Length, 1/4" Bore, Plastic Flange, No Tailpiece	10
4336AF	Beer Shank Assembly, 5 1/8" Length, 1/4" Bore, Stainless Flange, No Tailpiece	10
4337A	Beer Shank Assembly, 6" Length, 1/4" Bore, Plastic Flange, No Tailpiece	10
4337AF	Beer Shank Assembly, 6" Length, 1/4" Bore, Stainless Flange, No Tailpiece	10
4338A	Beer Shank Assembly, 8" Length, 1/4" Bore, Plastic Flange, No Tailpiece	10
4338AF	Beer Shank Assembly, 8" Length, 1/4" Bore, Stainless Flange, No Tailpiece	10



4331A



4333A



4334A



4336A



4337A

## SHANKS WITH BARBS – LISTED IN ORDER OF SHANK LENGTH

\* Shanks Only (Flanges, Sleeves, Rings & Nuts NOT INCLUDED)

MODEL #	DESCRIPTION	PK
4333N	Beer Shank, 3" Length, 1/4" Bore, 5/16" Barb, No Fittings	10
4334N	Beer Shank Assembly, 4 1/8" Length, 1/4" Bore, 5/16" Barb, Plastic Flange	10
4336N	Beer Shank, 5 1/8" Length, 1/4" Bore, 5/16" Barb, No Fittings	10



4333N



4336N

## SHANKS WITHOUT BARBS – LISTED IN ORDER OF SHANK LENGTH 304 STAINLESS STEEL



40004

MODEL #	DESCRIPTION	PK
40002	Beer Shank, 2" Length, 1/4" Bore, No Fittings or Tailpiece	10
40003	Beer Shank, 3" Length, 1/4" Bore, No Fittings or Tailpiece	10
40004	Beer Shank, 4" Length, 1/4" Bore, No Fittings or Tailpiece	10
40006	Beer Shank, 6" Length, 1/4" Bore, No Fittings or Tailpiece	10
40008	Beer Shank, 8" Length, 1/4" Bore, No Fittings or Tailpiece	10

## SHANKS WITHOUT BARBS – LISTED IN ORDER OF SHANK LENGTH CHROME PLATED "ECONOMY SHANKS"



4331

MODEL #	DESCRIPTION	PK
4331	Beer Shank, 2" Length, 1/4" Bore, No Fittings or Tailpiece	10
4333	Beer Shank, 3" Length, 1/4" Bore, No Fittings or Tailpiece	10
4334	Beer Shank, 4 1/8" Length, 1/4" Bore, No Fittings or Tailpiece	10
4336	Beer Shank, 5 1/8" Length, 1/4" Bore, No Fittings or Tailpiece	10
4337	Beer Shank, 6" Length, 1/4" Bore, No Fittings or Tailpiece	10
4338	Beer Shank, 8" Length, 1/4" Bore, No Fittings or Tailpiece	10



4333



4336



4334

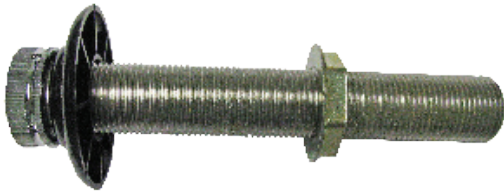


4337

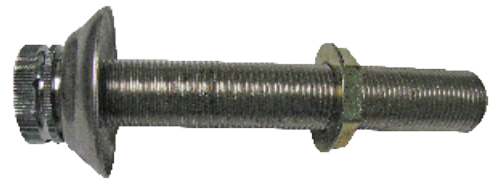
\* Full Assemblies Includes Shank, Flange, Sleeve, Locking Ring, Coupling Nut & Locking Nut.

**FULL ASSEMBLIES WITH BARBS – LISTED IN ORDER OF SHANK LENGTH  
304 STAINLESS STEEL**

MODEL #	DESCRIPTION	PK
40002A	Beer Shank Assembly, 2" Length, 1/4" Bore, Plastic Flange, No Tailpiece	10
40002AF	Beer Shank Assembly, 2" Length, 1/4" Bore, Stainless Flange, No Tailpiece	10
40003A	Beer Shank Assembly, 3" Length, 1/4" Bore, Plastic Flange, No Tailpiece	10
40003AF	Beer Shank Assembly, 3" Length, 1/4" Bore, Stainless Flange, No Tailpiece	10
40004A	Beer Shank Assembly, 4" Length, 1/4" Bore, Plastic Flange, No Tailpiece	10
40004AF	Beer Shank Assembly, 4" Length, 1/4" Bore, Stainless Flange, No Tailpiece	10
40006A	Beer Shank Assembly, 6" Length, 1/4" Bore, Plastic Flange, No Tailpiece	10
40006AF	Beer Shank Assembly, 6" Length, 1/4" Bore, Stainless Flange, No Tailpiece	10
40008A	Beer Shank Assembly, 8" Length, 1/4" Bore, Plastic Flange, No Tailpiece	10
40008AF	Beer Shank Assembly, 8" Length, 1/4" Bore, Stainless Flange, No Tailpiece	10



40006A



40006AF





# 34 | KEG COUPLERS



**CH5000**



**CH5200G-SS**



**CH5000-45**



**CH5300U**



**CH5004SS**



**CH5400A-SS**



**CH5001**



**FT44T**



**CH5002**



**FT86**



**CH5003**



**FT86SSP**



**FT86P**

MODEL #	DESCRIPTION	PK
CH5000	Keg Coupler, Sankey "D" Probe, Blue Lever Handle	24
CH5000-45	Keg Coupler, Sankey "D" Probe, White Lever Handle	24
CH5000-45L	Keg Coupler, Sankey "D" Probe, White Lever Handle, w/Locking Leg	24
CH5004SS	Keg Coupler, Sankey "D" Probe, S/S Probe, Blue Lever Handle	24
CH5100SS-304	Keg Coupler, Sankey "S" Probe (Euro), 304 S/S Probe, Black Lever Handle	24
CH5001	Keg Coupler, Sankey "D" Probe, Red Lever Handle	24
CH5002	Keg Coupler, Sankey "D" Probe, Black Lever Handle	24
CH5003	Keg Coupler, Sankey "D" Probe, Gold Lever Handle	24
CH5006	Keg Coupler, Sankey "D" Probe, Green Handle	24
CH5100SS-304	Keg Coupler, Sankey "S" Probe (Euro), 304 S/S Probe, Black Lever Handle	24
CH5200G-SS	Keg Coupler, Type G ("Grundy"/"Trilobe"), S/S Probe, S/S Body, Black Lever Handle	6
CH5300U	Keg Coupler, Type U ("Guinness"), S/S Probe, Black Lever Handle	6
CH5400A-SS	Keg Coupler, Type A ("German Slider"), S/S Probe, S/S Body, Black Lever Handle	6
FT44T	Low Profile Sankey "D" Keg Coupler, Black Wing Handle	24
FT86	Keg Coupler, Sankey "D" Probe, Metal Wing Handle ("Fast Tap")	24
FT86P	Keg Coupler, Sankey "D" Probe, Plastic Wing Handle ("Fast Tap")	24
FT86SSP	Metal Wing Handle ("Fast Tap") Keg Coupler, 304 Stainless Sankey "D" Probe, for Beer, Wine, and Cide	24
FT90	Metal Wing Handle ("Fast Tap") Keg Coupler, Sankey "S" Probe (Euro)	24
FT90P	Plastic Wing Handle ("Fast Tap") Keg Coupler, Sankey "S" Probe (Euro)	24

**REFER TO PAGE 70-71**

MODEL #	DESCRIPTION	PK
24253A	Bottom Body Seal for Couplers & Party Pumps	10
440-1903	O-Ring Seal for Bronco Pump and Coupler PRV Valves ("Beer Seal")	10
759	Coupling Washer for use with 80228 and 525 ("Beer Washer")	10
80218-01	Keg Coupler Handle Assembly, Blue	1
80218-02	Keg Coupler Handle Assembly, Black	1
80218-02AB	Keg Coupler Handle Assembly, Gold	1
80218-03	Keg Coupler Handle Assembly, Red	1
80218-04	Keg Coupler Handle Assembly, White	1
80237-02	Keg Coupler Handle Assembly, Black, for Type A, G, and U Couplers	1
80219	Ball Retainer, Sankey Coupler (Probe)	10
44-25116-3	Coupler Ball Retainer, U,G,A Couplers, DSI	10
80220	Ball, Sankey Coupler (Probe)	10
44-25117-4	Coupler Ball, U,G,A Couplers, DSI	10
80221	Concave Check Valve, Gray	10
80225	Coupler Hinge Pin	1
80227	Coupler Hose Nipple, 3/8" Barb (for use w/ 80221)	10
80227SS	Coupler Hose Nipple, 3/8" Barb (for use with 80221), Stainless Steel	10
80228	Hex Nut, 1" (Beer Thread, 29/32-14)	10
80228SS	Hex Nut, 1" (Beer Thread, 29/32-14), Stainless Steel	10
80231	Probe O-Ring for Sankey D and Sankey S Couplers	10
FT85-8A	Metal Wing Handle Assembly for FT86 and FT90 Couplers	1
FT85-8PA	Plastic Wing Handle Assembly for FT86 and FT90 Couplers	1



24253A



44-25117-4



440-1903



80221



759



80225



80218-01



80227



80218-02



80228



80218-02AB



80231



80218-04



FT85-8A



80219



FT85-8PA



80220



COUPLER TYPE	Sankey "D"	"S"	"A"	"G"	"U"
<b>TAPRITE PART NO.</b> <i>(HANDLE COLOR, OTHER INFO)</i>	<b>CH5000</b> (blue) <b>CH5000-45</b> (white) <b>CH5000-45L</b> (white,locking leg) <b>CH5000SS</b> (gray,s/s probe) <b>CH5001</b> (red) <b>CH5001SS</b> (red,s/s probe,1/4barb) <b>CH5002</b> (black) <b>CH5003</b> (gold) <b>CH5004SS-304</b> (blue,s/s probe)	<b>CH5100-SS-304</b> (black) <b>CH5100BL</b> (blue) <b>CH5100L</b> (black,locking leg)	<b>CH5400A-SS</b> (black)	<b>CH5200G-SS</b> (black)	<b>CH5300U</b> (black)
<b>Beer Brands</b>	Abita Anheuser-Busch InBev Bass Boston Boulevard New Belgium SAB Miller Coors Shiner Sierra Nevada Majority of US breweries, unless noted	Amstel Becks Belle-Vue De Koninck Erdinger Heineken John Courage Lindeman Lion Nathan Marstons Moretti Murphys Pilsner Urquell Piraat Saint Pauli Girl Scottish & Newcastle Stella Artois Tetleys	Ayinger Bitburger Fischer Franziskaner Hacker-Pschorr Hoegaarden Isenbeck Lowenbrau Paulaner Spaten Starpramen Victoria Warsteiner Weihenstephan	Anchor Boddingtons Fullers Grolsch Old Speckled Hen Tennents Watneys	Guinness Harp Smithwicks

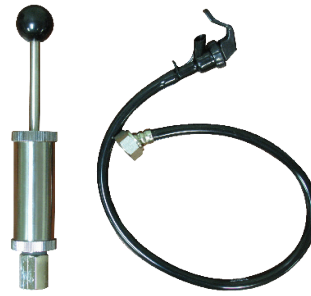
*\*For detailed product descriptions of Taprite Couplers, please refer to page 70-71*





MODEL #	DESCRIPTION	PK
43-0142-00	Universal Picnic Tap with 4" Cylinder Pump, for use with any Existing Keg Coupler (Coupler Not Included)	12
43-0143-00	Universal Picnic Tap with 8" Cylinder Pump, for use with any Existing Keg Coupler (Coupler Not Included)	12
4097Q	Super Pump with Hose and Faucet, Sankey "D" Probe	24
PP501	Pony Pump Picnic Tap	24
PP601	Bronco Pump with Hose and Faucet, Sankey D Probe, Black Body	24
PP601-4	Bronco Pump Multi-Tap, 4 Faucets, Sankey D Probe, Black Body	12
PP602	Bronco Pump with Hose and Faucet, Sankey S Euro Probe, Black Body	24
PP602-4	Bronco Pump Multi-Tap, 4 Faucets, Sankey S Euro Probe, Black Body	12
FT37	Picnic Tap for Cylinder Pumps, Sankey "D" Probe (Pump Not Included)	12
FT37PF	Picnic Tap with 8" Cylinder Pump, Plastic Wing Handle, Sankey "D" Probe	12

CONTINUE TO NEXT PAGE



43-0142-00



PP601-4



4097Q



FT37



PP501



FT37PF



PP602



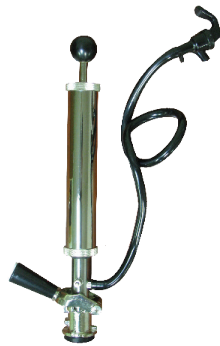
PP601



FT37PF-4



**FT37MPF**



**FT50PFS**



**FT50**



**FT50PF-4**



**FT50PF**



**580N**



**580N-4**

**CONTINUED**

MODEL #	DESCRIPTION	PK
<b>FT37PF-4</b>	Picnic Tap with 4" Cylinder Pump, Plastic Wing Handle, Sankey "D" Probe	<b>12</b>
<b>FT37MPF</b>	Picnic Tap with 8" Cylinder Pump, Metal Wing Handle, Sankey "D" Probe	<b>12</b>
<b>FT50</b>	Picnic Tap for use with Cylinder Pumps, Sankey "D" Probe, Black Lever Handle (Pump Not Included)	<b>12</b>
<b>FT50E</b>	Picnic Tap for use with Cylinder Pumps, Sankey "S" Probe, Black Lever Handle (Pump Not Included)	<b>12</b>
<b>FT50PF</b>	Picnic Tap with 8" Cylinder Pump, Sankey "D" Probe, Blue Lever Handle	<b>12</b>
<b>FT50PFS</b>	Picnic Tap with Manual PRV, 8" Cylinder Pump, Sankey "D" Probe, Blue Lever Handle	<b>12</b>
<b>FT50PF-4</b>	Picnic Tap with 4" Cylinder Pump, Sankey "D" Probe, Blue Lever Handle	<b>12</b>
<b>FT50PFS-4</b>	Picnic Tap with Manual PRV, 4" Cylinder Pump, Sankey "D" Probe, Blue Lever Handle	<b>12</b>
<b>FT50PFE</b>	Picnic Tap with 8" Cylinder Pump, Sankey "S" Probe, Black Lever Handle	<b>12</b>
<b>FT50PFES</b>	Picnic Tap with Manual PRV, 8" Cylinder Pump, Sankey "S" Probe, Black Lever Handle	<b>12</b>
<b>FT50PFE-4</b>	Picnic Tap with 4" Cylinder Pump, Sankey "S" Probe, Black Lever Handle	<b>12</b>
<b>FT50PFES-4</b>	Picnic Tap with Manual PRV, 4" Cylinder Pump, Sankey "S" Probe, Black Lever Handle	<b>12</b>
<b>580N</b>	Cylinder Pump for FT Series Picnic Pumps, 8", with Check Valve Tip	<b>12</b>
<b>580N-4</b>	Cylinder Pump for FT Series Picnic Pumps, 4", with Check Valve Tip	<b>12</b>

MODEL #	DESCRIPTION	PK
24222	Locking Ring for Bronco & Pony Pumps	5
24253A	Bottom Body Seal for Couplers & Party Pumps	10
5436-100	Duckbill Check Valve for Bronco, Pony, and Super Pumps	10
70230-01	Bronco Pump Body Assembly with Piston, Seals, and Safety	1
70502	Plastic Faucet for Picnic Pumps	10
70503	Plastic Faucet & Hose Assembly for Picnic Pumps	5
70534	Piston O-Ring for Bronco & Pony Pumps	10
752	Thomas Vent (Check Valve) for Cylinder Pumps	10
440-1903	O-Ring Seal for Bronco Pump and Coupler PRV Valves ("Beer Seal")	10
CC401L	Cleaning Cup for Bronco Pumps	1



70503



24222



70534



24253A



70230-01



440-1903



752



70502



CC401L



5436-100







D4740SS



D4743DTSS



D4743TSS



D4743TTSS

## COLUMN TOWERS

MODEL #	DESCRIPTION	PK
D4740SS	Draft Tower, 2 1/2" Diameter, S/S Column, 1 Faucet w/Stainless Lever Faucet	1
D4740KSS	Draft Tower, 2 1/2" Diameter, S/S Column, 1 Faucet w/Brass Lever	1
D4740WT-12	Single Faucet Wine Tower, 2 1/2" Diameter, Stainless Steel Column, 304 Faucet and Shank, Barrier Tubing w/304 Tailpiece	1
D4743TSS	Draft Tower, 3" Diameter, S/S Column, 1 Faucet w/Stainless Lever	1
D4743TKSS	Draft Tower, 3" Diameter, S/S Column, 1 Faucet w/Brass Lever	1
D4743DTSS	Draft Tower, 3" Diameter, S/S Column, 2 Faucets w/Stainless Levers	1
D4743DTKSS	Draft Tower, 3" Diameter, S/S Column, 2 Faucets w/Brass Levers	1
D4743DWT-14	Double Faucet Wine Tower, 3" Diameter, Stainless Steel Column, 304 Faucet and Shank, Barrier Tubing w/304 Tailpiece	1
D4743TTSS	Draft Tower, 3" Diameter, S/S Column, 3 Faucets w/Stainless Levers	1
D4743TTKSS	Draft Tower, 3" Diameter, S/S Column, 3 Faucets w/Brass Levers	1
D4743TWT-14	Triple Faucet Wine Tower, 3" Diameter, Stainless Steel Column, 304 Faucets and Shanks, Barrier Tubing w/304 Tailpieces	1
D4743DTKSS-03	Double Faucet Stout Beer Tower, 3" Diameter, Stainless Steel Column, 304 Stainless Steel Stout Faucets	1
D4743TKSS-03	Single Faucet Tower, 3" Diameter, Stainless Steel Column, with Brass Lever Faucet	1
D4743WT-14	Single Faucet Wine Tower, 3" Diameter, Stainless Steel Column, 304 Faucet and Shank, Barrier Tubing w/304 Tailpiece	1

*Call us for custom quotes.*

## T-TOWERS WITH SINGLE, 3" PEDESTALS

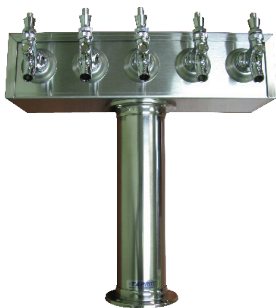
MODEL #	DESCRIPTION	PK
<b>TT3SS</b>	3 Product T-Tower, Air Cooled, Polished Stainless, with Chrome Plated Faucets	<b>1</b>
<b>TT4SS</b>	4 Product T-Tower, Air Cooled, Polished Stainless, with Chrome Plated Faucets	<b>1</b>
<b>TT4CR-G</b>	4 Product T-Tower, Glycol Ready, Polished Stainless, with Chrome Plated Faucets	<b>1</b>
<b>TT5SS</b>	5 Product T-Tower, Air Cooled, Polished Stainless, with Chrome Plated Faucets	<b>1</b>
<b>TT6SS</b>	6 Product T-Tower, Air Cooled, Polished Stainless, with Chrome Plated Faucets	<b>1</b>
<b>TT6CR-G</b>	6 Product T-Tower, Glycol Ready, Polished Stainless, with Chrome Plated Faucets	<b>1</b>
<b>TT8CR-G</b>	8 Product T-Tower, Glycol Ready, Polished Stainless, with Chrome Plated Faucets	<b>1</b>
<b>TT8SS</b>	8 Product T-Tower, Air Cooled, Polished Stainless, with Chrome Plated Faucets	<b>1</b>



**TT3SS**



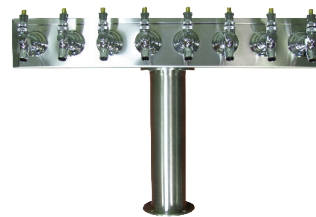
**TT4SS**



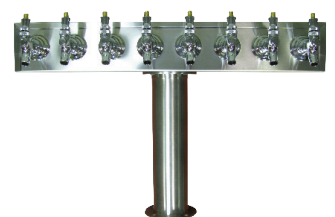
**TT5SS**



**TT6CR-G**



**TT8CR**



**TT8CR-G**

## DRAFT ARM AND TOWER REPAIR PARTS & ACCESSORIES



4301



4332



D12-2PA



D12-3PA



D16



D16-3



D6PL



D6M-3LP



D15-2PSS

MODEL #	DESCRIPTION	PK
4301	Faucet Lever Knob, Black Plastic	10
4332	Faucet Shank Coupling Nut, Chrome Plate, 1 1/8 - 18	10
D12-2PA	Draft Tower Cap Assembly for 2 1/2" Diameter Towers, Chrome Plated	1
D12-3PA	Draft Tower Cap Assembly for 3" Diameter Towers, Chrome Plated	1
D15-2PSS	Bottom Flange Cover for 2 1/2" Diameter Draft Tower, Stainless Steel	1
D16	Draft Tower Column Gasket for 2 1/2" Diameter Draft Tower	1
D16-3	Draft Tower Column Gasket for 3" Diameter Draft Tower	1
D6M-3LP	Faucet Flange for 3" Diameter Draft Tower	1
D6PL	Faucet Flange for 2 1/2" Diameter Draft Tower	1

CONTINUE

*Call us for custom quotes.*

## DRAFT ARM AND TOWER REPAIR PARTS & ACCESSORIES (CONT.)

CONTINUED

MODEL #	DESCRIPTION	PK
D4N-3M	Draft Tower Shank , 2 1/4" Long, 1/4" Counterbore, for 2 1/2" and 3" Diameter Tower, Collar and Nuts not Included	5
D4N-3A	Draft Tower Shank Assembly, 2 1/4" Long, 1/4" Counterbore, for 2 1/2" Diameter Tower	5
D4N-3-3A	Draft Tower Shank Assembly, 2 1/4" Long, 1/4" Counterbore, for 3" Diameter Tower	5
D7P	Faucet Column Spacer for Draft Towers (Inner Spacer)	1
D8	Lock Nut, 1 1/16 Hex, with Beer Threads, for Draft Towers	10
D4743ADD-1	"Add-A-Tap" 3" Diameter Draft Tower Adaptor, 1 Product Addition	1



D4743ADD-1



D4743ADD-2



D4N-3M



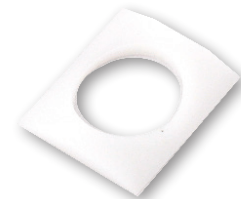
D4N-3A



D4N-3-3A



D8



D7P

*Call us for custom quotes.*





**BF1001**



**SF2003**



**BF1003**



**SF2004**



**4301**



**70103-05**



**70102-01**



**70103-05-304**



**70102-02**



**70104**



**70103-04**



**BF3000**

MODEL #	DESCRIPTION	PK
<b>BF1001</b>	Beer Faucet, Chrome Plated with Brass Lever	<b>24</b>
<b>BF1001SC</b>	Beer Faucet, Chrome Plated with Brass Lever, Self-Closing	<b>24</b>
<b>BF1002</b>	Beer Faucet, Chrome Plated with Stainless Lever	<b>24</b>
<b>BF1001SC</b>	Beer Faucet, Chrome Plated with Brass Lever, Self-Closing	<b>24</b>
<b>BF1002SC-SS</b>	Beer Faucet, Stainless Steel with Stainless Lever, 304 Body with 303 Shaft, Self-Closing	<b>24</b>
<b>BF1002SS</b>	Beer Faucet, Stainless Steel Faucet with Stainless Steel Lever, 304 Body with 303 Shaft	<b>24</b>
<b>BF1002SS-304</b>	Beer, Wine, and Cider Faucet, Stainless Steel Body with Stainless Lever, All 304	<b>24</b>
<b>BF1003</b>	Beer Faucet, Brass with Gold (PVD) Finish and Brass Lever	<b>24</b>
<b>BF1004</b>	Beer Faucet, Brass with Gold (PVD) Finish and Stainless Lever	<b>24</b>
<b>SF2003</b>	Stout Faucet, 304 Stainless Steel, Polished Finish	<b>6</b>
<b>SF2004</b>	Stout Faucet, 304 Stainless Steel, Gold (PVD) Finish	<b>6</b>
<b>BF3000</b>	Beer Faucet with Flow Control Compensator, 304 Stainless Steel, with Shank	<b>1</b>

MODEL #	DESCRIPTION	PK
<b>4301</b>	Faucet Lever Knob, Black Plastic	<b>10</b>
<b>70102-01</b>	Faucet Lever, Brass	<b>10</b>
<b>70102-02</b>	Faucet Lever, Stainless Steel	<b>10</b>
<b>70103-04</b>	Faucet Shaft Assembly with Seat, Chrome Plated Brass	<b>10</b>
<b>70103-05</b>	Faucet Shaft Assembly with Seat, 303 Stainless	<b>10</b>
<b>70103-05-304</b>	Faucet Shaft Assembly with Seat, 304 Stainless	<b>10</b>
<b>70104</b>	Faucet Ball Washer	<b>10</b>

MODEL #	DESCRIPTION	PK
70105	Faucet Lever Collar, Chrome	10
70107	Faucet Body Gasket	10
70108	Faucet Friction Washer	10
70109	Faucet Shaft Nut, Nickle Plated Brass	10
70110	Faucet Shaft Valve Seat	10
70166-01	Faucet Bonnet, Chrome Plated Brass	10
<b>BF1000SC-Kit</b>	Faucet Retrofit Kit - Convert Standard Faucet to Self-Closing	1
SF2000-13	Stout Faucet Nozzle O-Ring	1
SF2000-14	Stout Faucet Jet Disc, Stainless Steel	1
SF2000-15	Stout Faucet Regulation Cone, Plastic	1
SF2000-16	Stout Faucet Leak Out Pipe, Stainless Steel	1
SF2000-2	Stout Faucet Lever Screw, Stainless Steel	1
SF2000-3	Stout Faucet Sliding Cap, Plastic	1
SF2000-4	Sout Faucet Screw Cap O-Ring	1
SF2000-9	Stout Faucet Upper Piston O-Ring	1
SF2000-1	Stout Faucet Lever, Chrome Plated Brass	1



70105



70107



70108



70166-01



BF1000SC-Kit



**For Ale & Lager type beers, the pouring process is:**

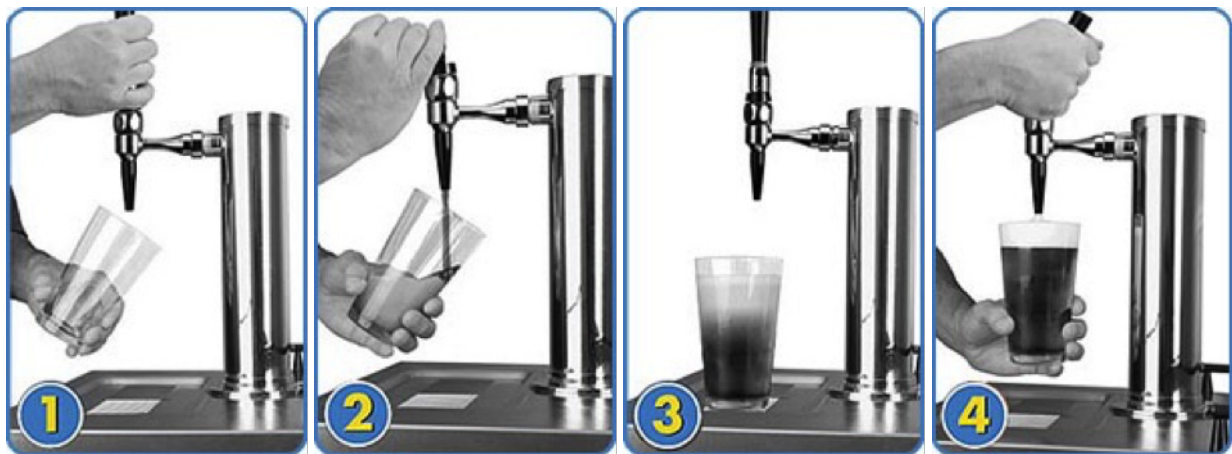
Start with a glass clean of any residue, including soap film.



1. Place the glass at a 45° angle, one inch below the faucet. Do not let the glass touch the faucet. Open the faucet completely in one, swift motion.
2. After the glass has reached ½ full, gradually bring the glass to an upright position.
3. Let the remaining beer pour straight down the middle. This ensures proper release of CO<sub>2</sub> by producing a ¾" to 1" foam head.
4. Close the faucet completely and quickly.

**For Stout type of beers, the pouring process is:**

Start with a glass clean of any residue, including soap film.



1. Place the glass at a 45° angle, one inch below the faucet. Do not let the glass touch the faucet. Open the faucet completely in one, swift motion.
2. Once the glass is ¾ full, close the faucet completely in one, quick motion.
3. Place the glass on the bar counter and allow the surging beer to settle.
4. Once the surge has settled, fill the glass to the brim, pouring straight down the middle of the glass. Close the faucet completely in one, swift motion.



MODEL #	DESCRIPTION	PK
43-0110-00	Kegerator to homebrew conversion kit	1
43-0121-00	Wine Dispense Kit with 2.5" Stainless Tower, 304 Faucet and Shank, Wine Tubing, SS Coupler, 742N Regulator (Dual Gauge, N <sub>2</sub> ), N <sub>2</sub> Tank	1
43-0123-00	Single to Double Draft Tower Conversion Kit with 3" Stainless Tower, Faucets, Couplers, Hoses, Tee, and Wrench	1
43-0124-00	Single to Triple Draft Tower Conversion Kit with 3" Stainless Tower, Faucets, Couplers, Hoses, Tee, and Wrench	1
43-0125-00	Kegerator Stout Conversion Kit with 742HPN Regulator (Dual Gauge, N <sub>2</sub> ), CH5300U (Guinness) Coupler, Stainless Stout Faucet, Gas Hose, and Wrench	1
43-0126-00	"Add-A-Tap" Kit, 1 Tap Addition with Faucet, Tubing, Coupler, and Tee	1
43-0127-00	"Add-A-Tap" Kit, 2 Tap Addition with Faucets, Tubing, Couplers, and Tee	1
43-0128-00	Jockey Box Kit, 1 Tap, with T742 Regulator (Dual Gauge), Coupler, and Hoses	1
43-0129-00	Jockey Box Kit, 2 Taps, with T742-2 Regulator (Dual Gauge, 1P2P), Coupler, and Hoses	1
43-0130-00	"Fridge Door" Dispense Kit with T742 Regulator (Dual Gauge), Coupler, Shank, Faucet, and Tubing	1
43-0131-00	"Fridge Door" Stout Dispense Kit with 742N Regulator (Dual Gauge, N <sub>2</sub> ), Shank, Faucet, and Tubing	1
43-0132-00	Kegerator Dispense Kit with 2.5" Stainless Tower, 1 Tap, T742 Regulator (Dual Gauge), Coupler, and Tubing	1
43-0133-00	Kegerator Dispense Kit with 3" Stainless Tower, 2 Taps, T742-2 Regulator (Dual gauge, 1P2P), Couplers, and Tubing	1
43-0134-00	"Fridge Door" Double Dispense Kit with T742-2 Regulator (Dual Gauge, 1P2P), Couplers, Shanks, Faucets, and Tubing	1
43-0135-00	Deluxe Dispense Kit with 3" x 14" Stainless Tower, 1 Tap, SS Faucet, SS Probe Coupler, 3741-SN Regulator (Single Gauge), and Tubing	1
43-0140-00	Deluxe Dispense Kit with 3" x 14" Stainless Tower, 2 Taps, SS Faucets, SS Probe Couplers, 3741-SN Regulator (Single Gauge), and Tubing	1
43-0145-00	Deluxe Dispense Kit with 3" x 14" Stainless Tower, 3 Taps, SS Faucets, SS Probe Couplers, 3741-SN Regulator (Single Gauge), and Tubing	1
43-0146-00	Wine Dispense Kit with 3" x 14" Stainless Tower, 1 Tap, 304 Faucet and Shank, Wine Tubing, SS Coupler, 742N Regulator (Dual Gauge, N <sub>2</sub> ), N <sub>2</sub> Tank	1
43-0147-00	Wine Dispense Kit with 3" x 14" Stainless Tower, 2 Taps, 304 Faucets and Shanks, Wine Tubing, SS Couplers, 742N Regulator (Dual Gauge, N <sub>2</sub> ), N <sub>2</sub> Tank	1
43-0150-00	Dispense Kit, 3" Stainless Tower, 3 Taps, Couplers, Tubing, Manifold, and 3741-SN Regulator (Single Gauge)	1

CONTINUE TO NEXT PAGE

## CONTINUED

MODEL #	DESCRIPTION	PK
<b>DK2.5/CP SS</b>	Dispense Kit, 2.5" Stainless Tower, Coupler, Tubing, and 3741-SN Regulator (Single Gauge)	<b>1</b>
<b>DK3.0/CP SS</b>	Dispense Kit, 3" Stainless Tower, Coupler, Tubing, and 3741-SN Regulator (Single Gauge)	<b>1</b>
<b>DK3.0/CP SS-02</b>	Dispense Kit, 3" Stainless Tower, 2 Taps, Couplers, Tubing, Tee, and 3741-SN Regulator (Single Gauge)	<b>1</b>
<b>DK3.0/CP SS-03</b>	Corny Keg Dispense Kit, 3" Stainless Tower, 2 Taps, Ball Lock Couplers, Tubing, Tee, and 3741-SN Regulator (Single Gauge)	<b>1</b>
<b>DK3.0/CP SS-04</b>	Keg Dispense Kit, 3" Stainless Tower, 2 Taps, Ball Lock Couplers, Sankey D Couplers, Tubing, Tee, and 3741-SN Regulator (Single Gauge)	<b>1</b>



## FOAM DETECTOR &amp; TESTER

MODEL #	DESCRIPTION	PK
FOB	Foam on Beer Detector, Deluxe Model, w/Bottom Inlet and Outlet	20
FOB-CL	Foam on Beer Detector, Classic Style, w/Side Inlet and Bottom Outlet	20

MODEL #	DESCRIPTION	PK
2701-BCT	Beer Carbonation Tester w/Case	1

The Taprite Beer Carbonation Tester is designed to be used in the field to verify carbonation levels during equipment installation and keg change-outs. It is a cost effective and accurate tool for troubleshooting and quality control. The Carbonation Tester's sturdy, acrylic canister includes a handy label noting the appropriate CO<sub>2</sub> volume based on your temperature and pressure reading. The Tester's cap and fittings are made of lightweight metal with easy to grip knurling. Taprite's Beer Carbonation Tester is easy to handle, easy to use, and easy to clean. Each Tester comes with a cushioned carrying case, as well as inlet and outlet hoses with quick disconnects.



2701-BCT



FOB



FOB-CL



## GLYCOL CHILLERS (POWER PACKS ONLY)

MODEL #	DESCRIPTION	PK
CDR-25	Crusader 225 Glycol Chiller System for maximum line runs of 225' (cumulative line runs of 2 + 7 configuration)	1
CDR-350	Crusader 350 Glycol Chiller System for maximum line runs of 350' (cumulative line runs of 2 + 7 configuration)	1







1842



1842-G



1841



4350



4350S



D4740-W



4353



70380



902



904A



904B



904C



904D



905W

MODEL #	DESCRIPTION	PK
1842	1 Quart Cleaning Kit for Home Beer Dispense Systems, w/FT585 Pump, Spanner Wrench, Ball Lifter, Cleaning Brushes, and Line Cleaner Powder (PBLC)	1
1842G	Gravity Cleaning Kit for Home Beer Dispense Systems, with 1 Quart Bottle, Faucet & Hose Brushes, Coupling Nut, Wrench, Powder Beer Line Cleaner, Ball Lifter, Instructions	1
1841	1 Quart Cleaning Bottle for Home Beer Dispense Systems, w/FT585 Pump	1
4350	Faucet Spanner Wrench	1
4350S	Combination Spanner, Hex Nut, and Screw Drive Wrench	1
D4740-W	Wrench Set for Draft Towers, Side & Center Access	1
4353	Male Beer Thread Cleaning Attachment, 5/16" Hose Barb End	1
70380	Faucet Spanner Wrench with Red Handle	1
902	Duplex Coupling	1
904A	Hose Brush for 3/16" ID Hose, 66" Long	5
904B	Hose Brush for 1/4" ID Hose, 66" Long	5
904C	Hose Brush for 3/8" ID Hose, 66" Long	5

CONTINUE TO NEXT PAGE

CONTINUED

MODEL #	DESCRIPTION	PK
904D	Hose Brush for 1/2" ID Hose, 66" Long	5
905W	Faucet Brush, 3/4" X 3/8" X 8 3/4"	5
905WL	Cleaning Brush, 5/8" x 3" x 14" Long	5
FT101L	Probe and O-Ring Lubricant, 1oz Can	1
FT108	Single Flusher for Single Hole Keg Valve Taps	1
FT109S	xxx	1
FT110AB	Double Flusher for Single Hole Keg Valve Taps	1
FT115BA	Series Cleaning Adaptor	1
FT85-117	Keg Coupler Ball Lifter	1
FT86-12	Keg Coupler Probe and Hex Nut Wrench	1
FT872	Elbow Fitting for FT86P & FT86 Taps	1
FT874C	Cap & Washer for Male Beer Thread End of Single Flusher	1
FT938	Probe and O-Ring Lubricant, 8oz Can	1
PBLC	Powdered Beer Line Cleaner, 1/2lb bag	1



905WL



FT85-117



FT101L



FT86-12



FT108



FT872



FT110AB



FT874C



FT115BA



FT938



PBLC

## FLOJET BEER PUMPS & REVERSAL VALVES

MODEL #	DESCRIPTION
50-1135-00	Flojet G56 Beer Pump
50-1136-00	Flow Reversal Valve for Draft Beer Systems, for use with Flojet G56 Pump (50-1135-00)



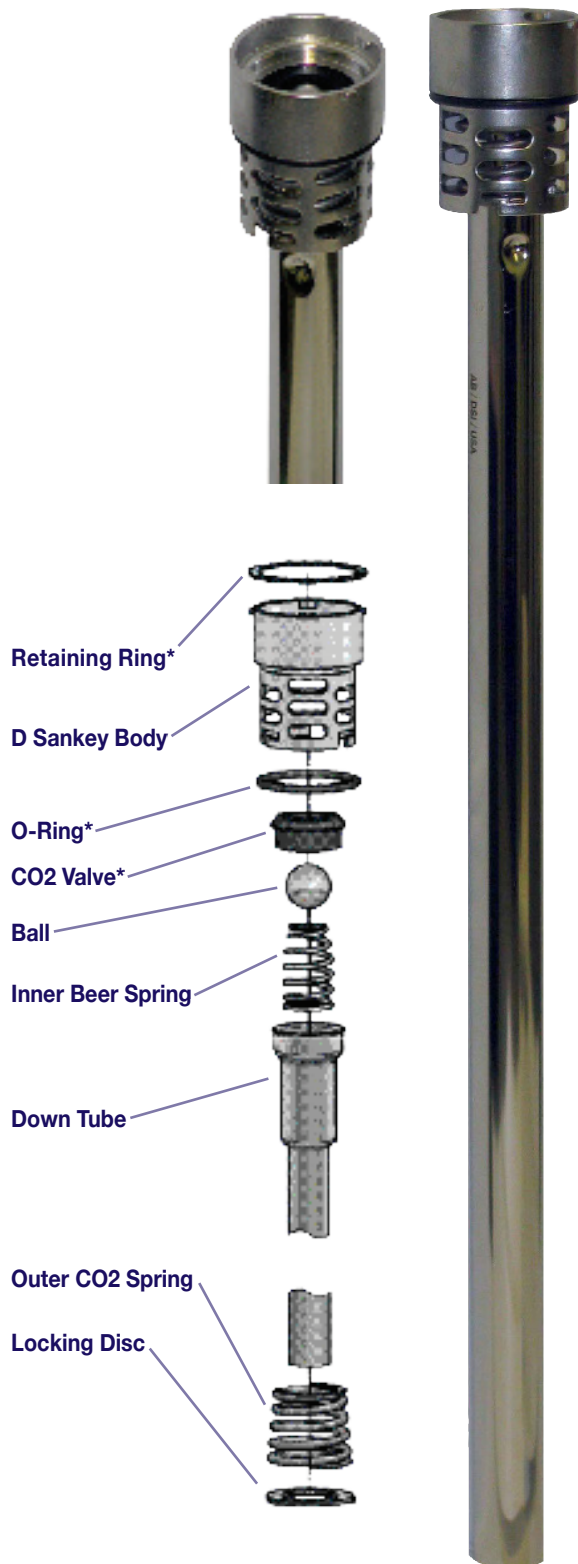
50-1135-00



50-1136-00



Since 1980, over 25 million DSI Keg Valves have been in service with the largest brewers and keg manufacturers worldwide. Our CO2 Valves, O-Rings, and Retaining Rings are interchangeable and serve as a direct replacement with those of other competitive Keg Valve providers. Our Keg Valves' single piece casting eliminates weld seams and reduces the risk of microbiological contamination. Both Poppet Style and Ball Style CO2 Valves are available to meet your OEM requirements. Our complete American D-Sankey Keg Valve is available in drop-in or threaded versions and in lengths that meet specifications of all brewers and keg manufacturers worldwide.



PART NUMBER	TYPE	LENGTH	KEG SIZE	PK
50-1130-00	Sankey D	552MM	1/2 & 1/6 Barrels (except for Franke 1/6)	1
50-1143-00	Sankey D	516MM	Franke 1/6 Barrel only	1
50-1139-00	Sankey S, Thredded	TBD	TBD	1
50-1132-00	Sankey D, Thredded	558MM	TBD	1
50-1142-00	A Type	531MM	TBD	1

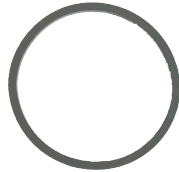
- Stainless Steel
- Secure installation fittings
- Built in safety features
- Easy to tap and clean
- Electro-polished surface
- Robust ball valve
- Damage-resistant body design
- Easy mounting and dismounting
- High resistant rubber for gaskets and O-Rings with FDA certification
- Tumbled body results in superior surface for ease of cleaning
- Designed for high speed, non-turbulent filling of kegs
- One piece cast body with no weld seams

Questions? Contact us at [sales@taprite.com](mailto:sales@taprite.com)

## Component Parts



**06-2058-00**  
Retaining Ring\*



**45-0017-00**  
O-Ring\*



**06-2067-00**  
CO2 Valve for Poppet Type  
Spear\*



**50-1125-00**  
CO2 Valve for  
US Sankey Ball Type Spear\*



**47-0003-00**  
Ball



**47-0001-00**  
Inner Beer Spring



**47-0002-00**  
Outer CO2 Spring



**47-0004-00**  
Locking Disc



**47-0006-00**



**47-0006-00**



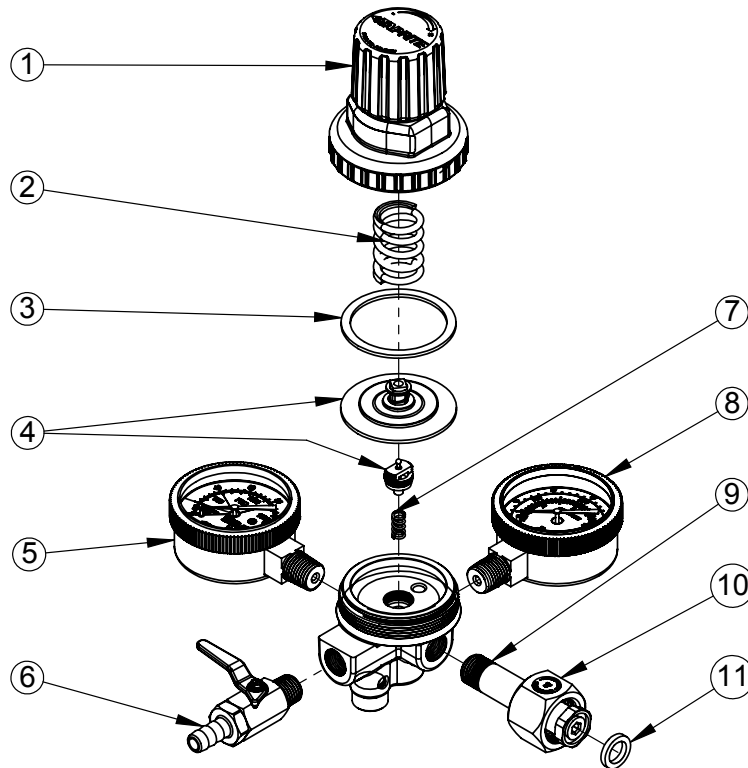
**47-0006-00**



**47-0006-00**

\* Interchangeable and compatible with other competitive keg valve manufacturers

## T742 REGULATOR ASSEMBLY PARTS BREAKDOWN

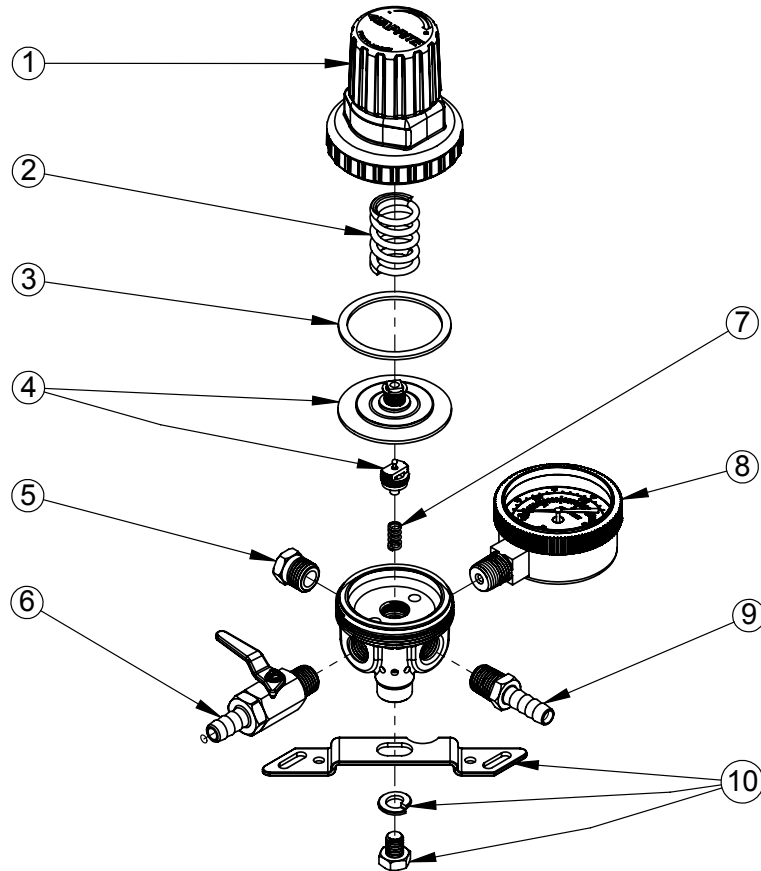


<u>ITEM</u>	<u>PART NO</u>	<u>DESCRIPTION</u>
1.	740-602	-POLY BONNET ASSEMBLY, SILVER CAP
2.	***	-LOW PRESSURE DIAPHRAGM SPRING
3.	***	-DIAPHRAGM/BONNET GASKET
4.	7740-15	-DIAPHRAGM REPAIR KIT - 2" BALL/SOCKET TYPE DIAPHRAGM, CAPSULE, AND FLAT SEAL (ITEM 11)
5.	6603-2000	-2000 PSI TANK GAUGE, LEFT HAND THREAD
6.	1600C	-5/16" BARB, SHUT-OFF WITH BALL CHECK
7.	***	-CAPSULE SPRING
8.	624	-60 PSI GAUGE
9.	C740-12	-CO2 TANK NIPPLE WITH FLAT SEAL, LEFT HAND THREAD
10.	440-13UD	-CO2 TANK NUT
11.	440-17R	-FLAT SEAL FOR CO2 TANK FITTING

\*\*\* NOT NORMALLY REPLACED WHEN REPAIRING REGULATOR

## T1661ST REGULATOR ASSEMBLY

### PARTS BREAKDOWN



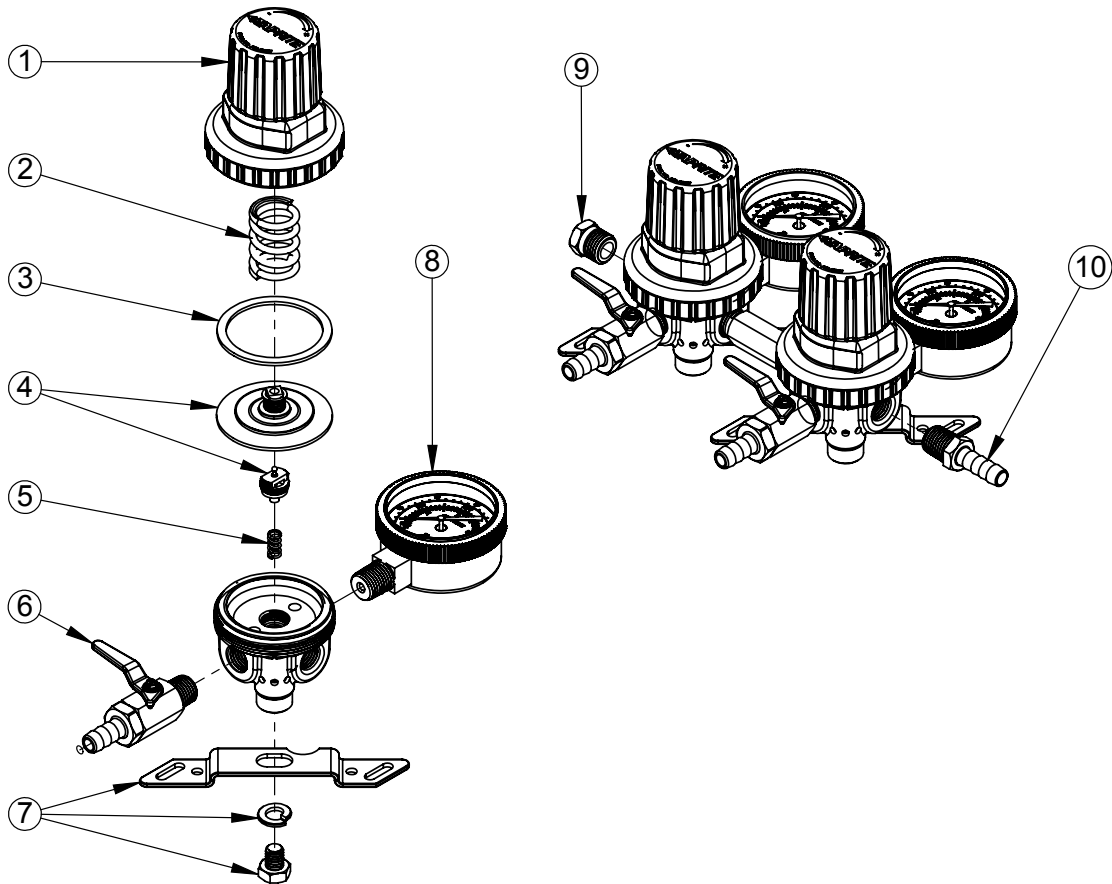
<u>ITEM</u>	<u>PART NO</u>	<u>DESCRIPTION</u>
1.	740-601	-POLY BONNET ASSEMBLY, GOLD CAP
2.	***	-LOW PRESSURE DIAPHRAGM SPRING
3.	***	-DIAPHRAGM/BONNET GASKET
4.	7740-15	-DIAPHRAGM REPAIR KIT - 2" BALL/SOCKET TYPE DIAPHRAGM, CAPSULE, AND FLAT SEAL
5.	665U	-PLUG, HEX HEAD
6.	1600	-5/16" BARB, SHUT-OFF
7.	***	-CAPSULE SPRING
8.	624	-60 PSI GAUGE
9.	617BN	-5/16" BARB FITTING
10.	43-0006-00	-METAL BRACKET KIT

\*\*\* NOT NORMALLY REPLACED WHEN REPAIRING REGULATOR



## T1672ST REGULATOR ASSEMBLY

### PARTS BREAKDOWN

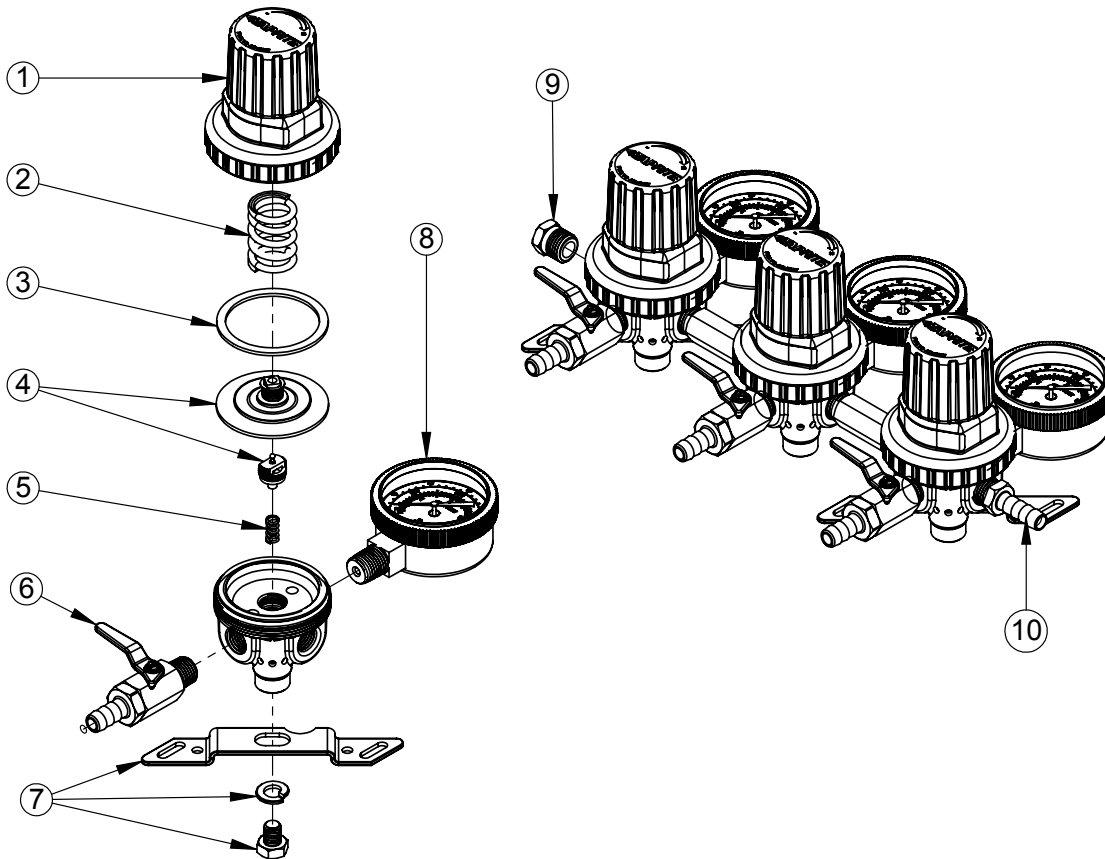


<u>ITEM</u>	<u>PART NO</u>	<u>DESCRIPTION</u>
1.	740-601	-POLY BONNET ASSEMBLY, GOLD CAP
2.	***	-LOW PRESSURE DIAPHRAGM SPRING
3.	***	-DIAPHRAGM/BONNET GASKET
4.	7740-15	-DIAPHRAGM REPAIR KIT - 2" BALL/SOCKET TYPE DIAPHRAGM, CAPSULE, AND FLAT SEAL
5.	***	-CAPSULE SPRING
6.	1600	-5/16" BARB, SHUT-OFF
7.	43-0006-00	-METAL BRACKET KIT
8.	624	-60 PSI GAUGE
9.	665U	-PLUG, HEX HEAD
10.	617BN	-5/16" BARB FITTING

\*\*\* NOT NORMALLY REPLACED WHEN REPAIRING REGULATOR

## T1683ST REGULATOR ASSEMBLY

## PARTS BREAKDOWN

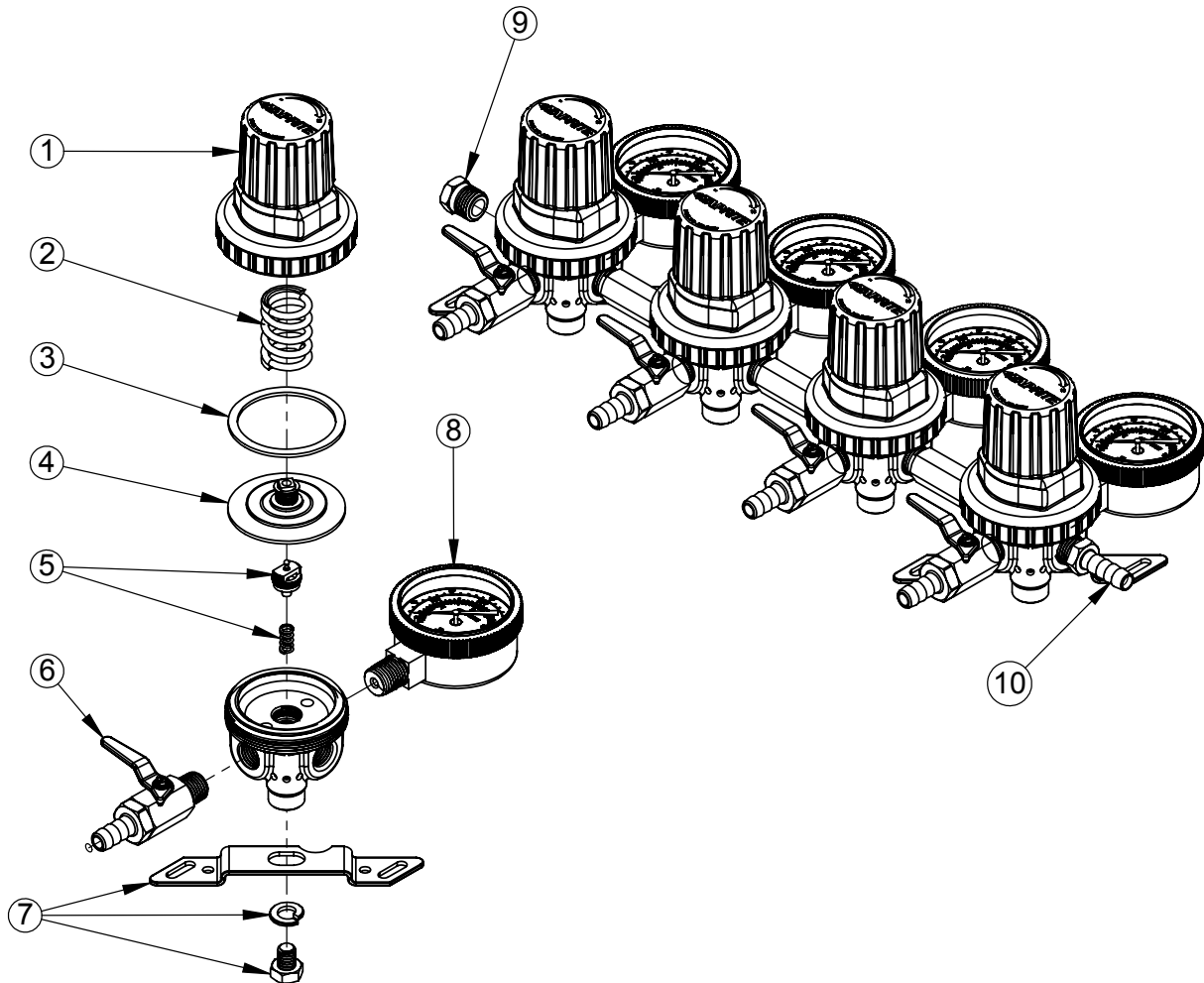


<u>ITEM</u>	<u>PART NO</u>	<u>DESCRIPTION</u>
1.	740-601	-POLY BONNET ASSEMBLY, GOLD CAP
2.	***	-LOW PRESSURE DIAPHRAGM SPRING
3.	***	-DIAPHRAGM/BONNET GASKET
4.	7740-15	-DIAPHRAGM REPAIR KIT - 2" BALL/SOCKET TYPE DIAPHRAGM, CAPSULE, AND FLAT SEAL
5.	***	-CAPSULE SPRING
6.	1600	-5/16" BARB, SHUT-OFF
7.	43-0006-00	-METAL BRACKET KIT
8.	624	-60 PSI GAUGE
9.	665U	-PLUG, HEX HEAD
10.	617BN	-5/16" BARB FITTING

\*\*\* NOT NORMALLY REPLACED WHEN REPAIRING REGULATOR

## T1694ST REGULATOR ASSEMBLY

### PARTS BREAKDOWN

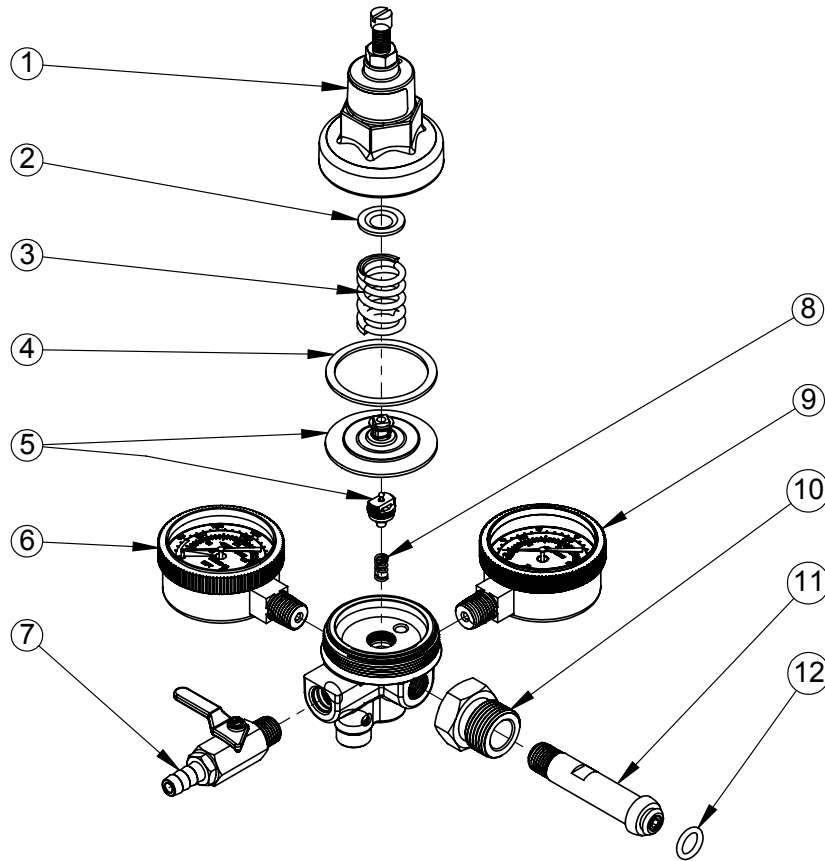


ITEM	PART NO	DESCRIPTION
1.	740-601	-POLY BONNET ASSEMBLY, GOLD CAP
2.	***	-LOW PRESSURE DIAPHRAGM SPRING
3.	***	-DIAPHRAGM/BONNET GASKET
4.	7740-15	-DIAPHRAGM REPAIR KIT - 2" BALL/SOCKET TYPE DIAPHRAGM, CAPSULE, AND FLAT SEAL
5.	***	-CAPSULE SPRING
6.	1600	-5/16" BARB, SHUT-OFF
7.	43-0006-00	-METAL BRACKET KIT
8.	624	-60 PSI GAUGE
9.	665U	-PLUG, HEX HEAD
10.	617BN	-5/16" BARB FITTING

\*\*\* NOT NORMALLY REPLACED WHEN REPAIRING REGULATOR

## 742HPN REGULATOR ASSEMBLY

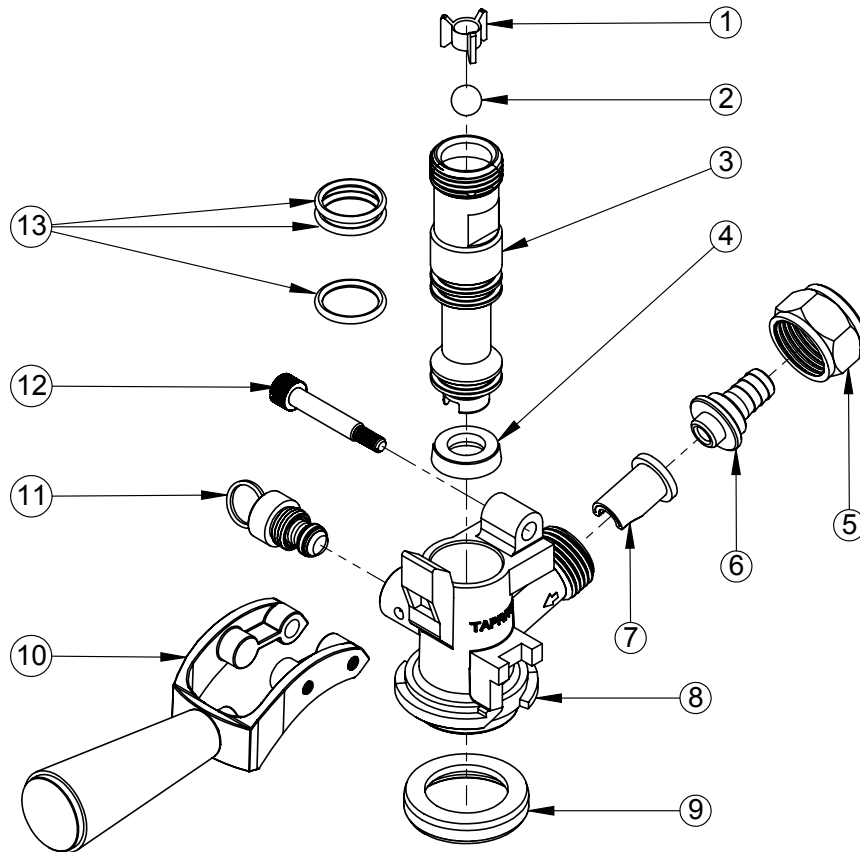
## PARTS BREAKDOWN



<u>ITEM</u>	<u>PART NO</u>	<u>DESCRIPTION</u>
1.	740-2NPA	-ZINC BONNET, BLACK
2.	***	-SPRING RETAINER
3.	***	-LOW PRESSURE DIAPHRAGM SPRING
4.	***	-DIAPHRAGM/BONNET GASKET
5.	7740-15N	-DIAPHRAGM REPAIR KIT - 2" BALL/SOCKET TYPE DIAPHRAGM, CAPSULE, AND O-RING (ITEM 12)
6.	6603	-3000 PSI TANK GAUGE, LEFT HAND THREAD
7.		-5/16" BARB, SHUT-OFF WITH DUCK BILL VALVE
8.	***	-CAPSULE SPRING
9.	624	-60 PSI GAUGE
10.	740-13N	-NITROGEN TANK NUT
11.	740-12N	-NITROGEN TANK NIPPLE WITH O-RING, LEFT HAND THREAD
12.	2406-11	-O-RING FOR NITROGEN TANK FITTING

\*\*\* NOT NORMALLY REPLACED WHEN REPAIRING REGULATOR

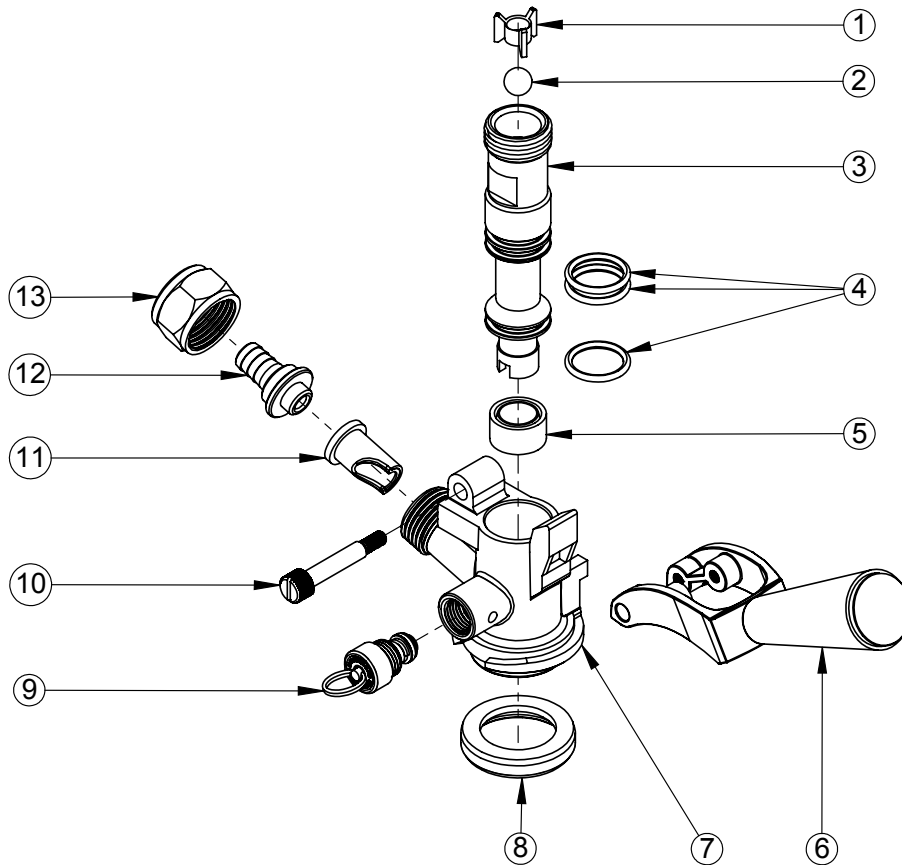
## CH5002 COUPLER, SANKEY D, BLACK HANDLE PARTS BREAKDOWN



<u>ITEM</u>	<u>PART NO</u>	<u>DESCRIPTION</u>
1.	80219	-BALL RETAINER
2.	80220	-COUPLER BALL, NYLON
3.	80222-01	-PROBE, D STYLE, NICKEL PLATED
4.	FT40-15	-PROBE SEAL
5.	80228	-HEX NUT
6.	80227	-TAILPIECE, 3/8" BARB
7.	80221	-CHECK VALVE
8.	80217	-COUPLER BODY
9.	24253	-COUPLER SEAL
10.	80218-02	-HANDLE ASSEMBLY, BLACK
11.	80233	-PRESSURE RELIEF ASSEMBLY
12.	80225	-HANDLE HINGE PIN
13.	80231	-O-RINGS

## CH5100 COUPLER, "S" TYPE, EURO PROBE, BLACK HANDLE

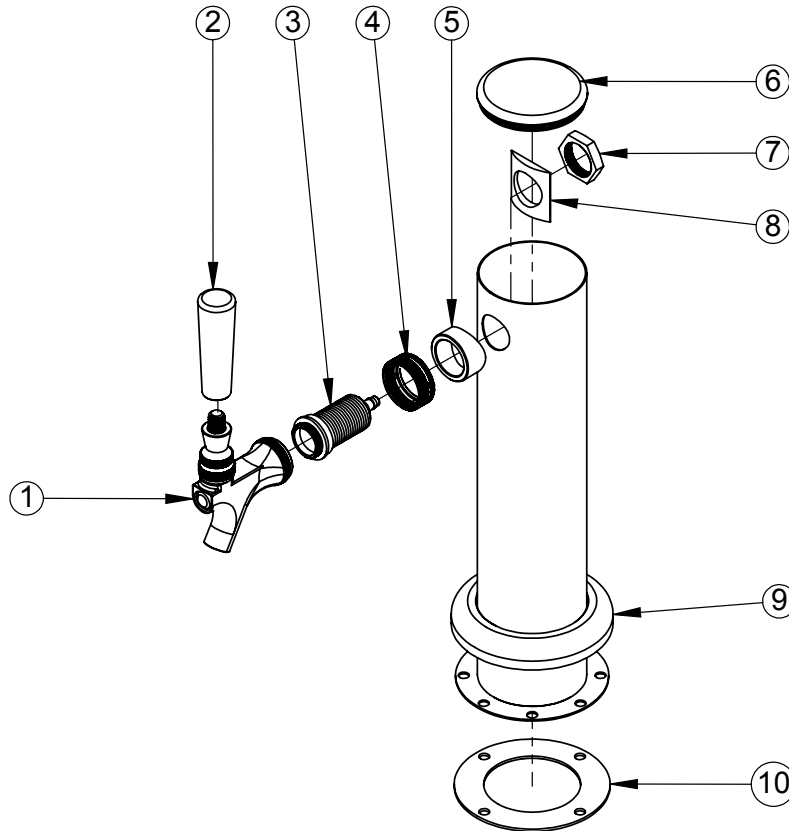
### PARTS BREAKDOWN



ITEM	PART NO	DESCRIPTION
1.	80219	-BALL RETAINER
2.	80220	-COUPLER BALL, NYLON
3.	80223-01	-PROBE, S STYLE, NICKEL PLATED
4.	80231	-O-RINGS
5.	70532	-PROBE SEAL, S STYLE
6.	80218-02	-HANDLE ASSEMBLY, BLACK
7.	80217	-COUPLER BODY
8.	24253	-COUPLER SEAL
9.	80233	-PRESSURE RELIEF ASSEMBLY
10.	80225	-HANDLE HINGE PIN
11.	80221	-CHECK VALVE
12.	80227	-TAILPIECE, 3/8" BARB
13.	80228	-HEX NUT

## 2 1/2" DRAFT TOWER

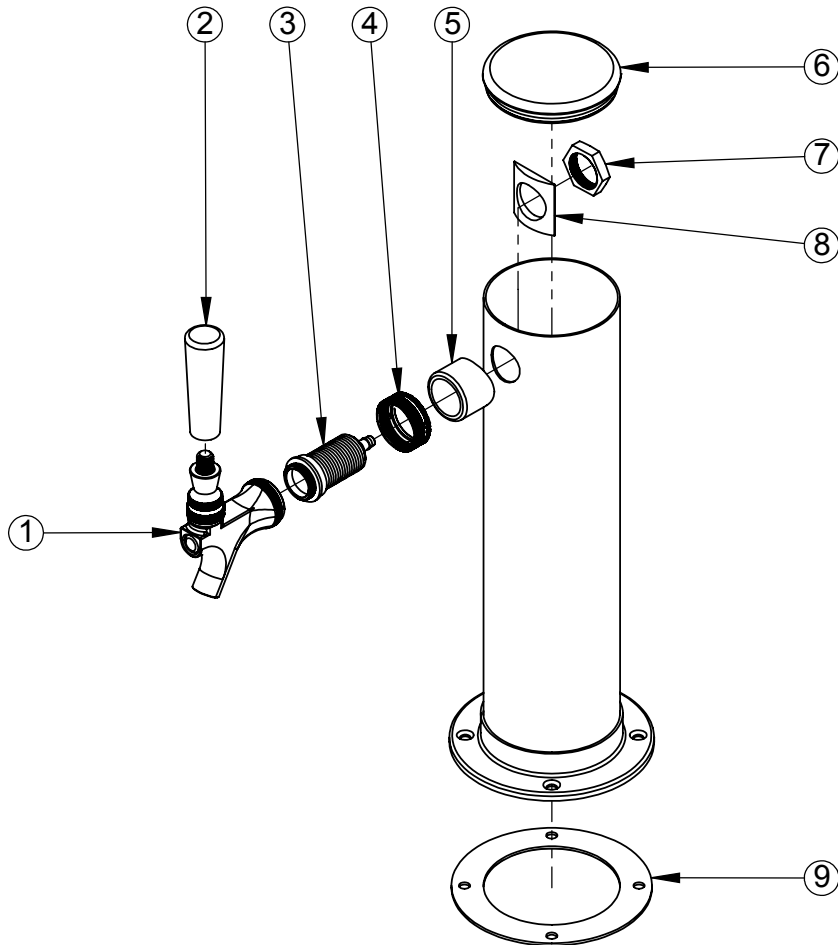
### PARTS BREAKDOWN



<u>ITEM</u>	<u>PART NO</u>	<u>DESCRIPTION</u>
1.	***	-FAUCET: S/S, CHROME, OR GOLD FINISH
2.	4301	-KNOB, FAUCET, BLACK
3.	D4N-3	-SHANK, 2 1/4" X 3/16" BORE, 1/4" BARB
4.	4332	-COUPLING NUT, FAUCET, KNURLED
5.	D6PL	-FAUCET FLANGE FOR 2 1/2" DIAMETER TOWER
6.	D12-2PA	-CAP ASSEMBLY, 2 1/2", CHROME PLATED
7.	D8	-NUT, 1 1/16" HEX, BEER THREAD
8.	D7	-SPACER, INNER, COLUMN FAUCET
9.	D15-2P	-BOTTOM FLANGE COVER FOR 2 1/2" DRAFT
10.	D16	-BOTTOM GASKET, 2 1/2"
11.	D4N-3A	-SHANK ASSEMBLY (SHANK WITH COMPONENTS INCLUDES ITEMS 3, 4, 5, 7, & 8)

## 3" DRAFT TOWER

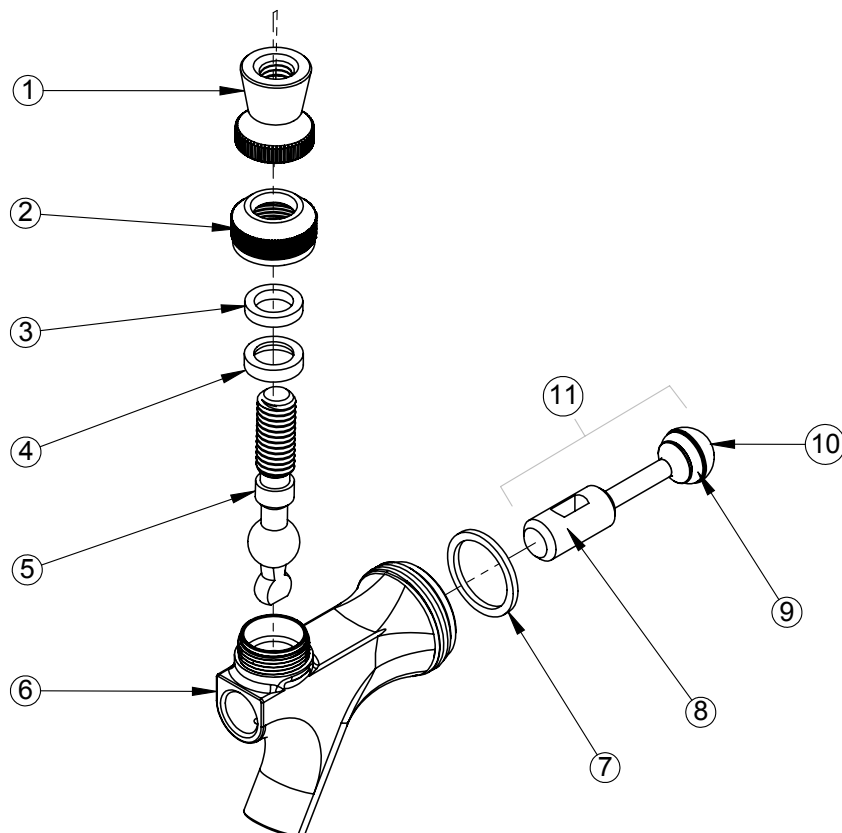
### PARTS BREAKDOWN



ITEM	PART NO	DESCRIPTION
1.	***	-FAUCET: S/S, CHROME, OR GOLD FINISH
2.	4301	-KNOB, FAUCET, BLACK
3.	D4N-3	-SHANK, 2 1/4" X 3/16" BORE, 1/4" BARB
4.	4332	-COUPLING NUT, FAUCET, KNURLED
5.	D6M-3LP	-FAUCET FLANGE FOR 3" DIAMETER TOWER
6.	D12-3PA	-CAP ASSEMBLY, 3", CHROME PLATED
7.	D8	-NUT, 1 1/16" HEX, BEER THREAD
8.	D7	-SPACER, INNER, COLUMN FAUCET
9.	D16-3	-BOTTOM GASKET, 2 1/2"
10.	D4N-3-3A	-SHANK ASSEMBLY (SHANK WITH COMPONENTS) INCLUDES ITEMS 3, 4, 5, 7, & 8



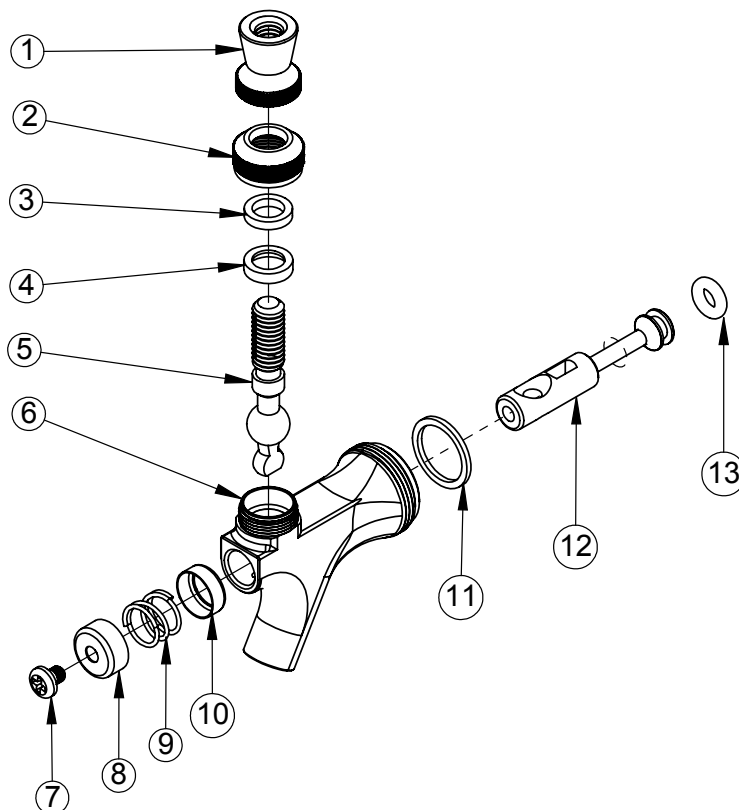
**BF1001- CHROME FAUCET W/ BRASS LEVER**  
**BF1002- CHROME FAUCET W/ STAINLESS STEEL LEVER**  
**BF1003- GOLD FAUCET W/ BRASS LEVER**



<u>ITEM NO:</u>	<u>PART NO:</u>	<u>DESCRIPTION:</u>
1	70105	COLLAR, FAUCET, CHROME
2	70166-01	BONNET, FAUCET
3	70108	WASHER, FRICTION
4	70104	WASHER, BALL
5	70102-01	LEVER, FAUCET, BRASS (BF1001/ BF1003)
	70102-02	LEVER, FAUCET, S/S (BF1002)
6	70101-01	BODY, FAUCET, CHROME (BF1001/ BF1002)
	70101-02	BODY, FAUCET, GOLD (BF1003)
7	70107	GASKET, FAUCET, BODY
8	70103-01	SHAFT CHROME
9	70110	SEAT, FAUCET SHAFT
10	70109	SHAFT NUT, CHROME
11	70103-04	SHAFT ASSEMBLY

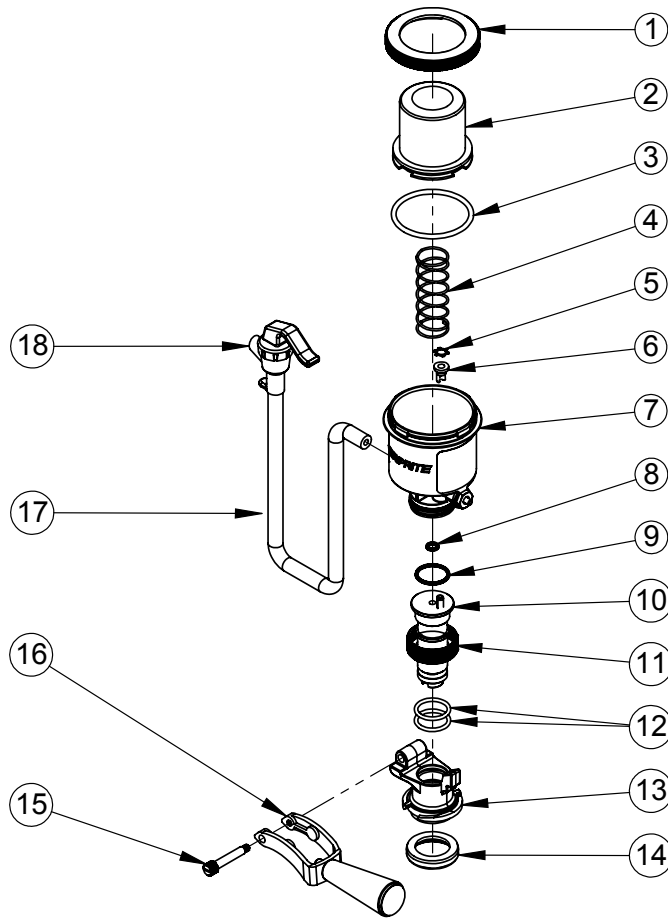
## BF1001SC

SELF CLOSING CHROME FAUCET  
WITH BRASS LEVER



<u>ITEM NO:</u>	<u>PART NO:</u>	<u>DESCRIPTION:</u>
1	70105	COLLAR, FAUCET, CHROME
2	70166-01	BONNET, FAUCET
3	70108	WASHER, FRICTION
4	70104	WASHER, BALL
5	70102-01	LEVER, FAUCET, BRASS
6	70101-01	BODY, FAUCET, CHROME
7	4321-1	SCREW, S/S
8	4321-2	RETAINER, S/S
9	4321-3	SPRING
10	4321-4	SPRING RETAINER, S/S
11	70107	GASKET, FAUCET, BODY
12	4322LN	SHAFT, SELF-CLOSING, CHROME
13	4324N	O-RING, SHAFT

## PP601 BRONCO PUMP PARTS BREAKDOWN



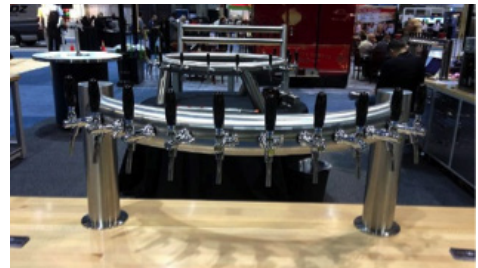
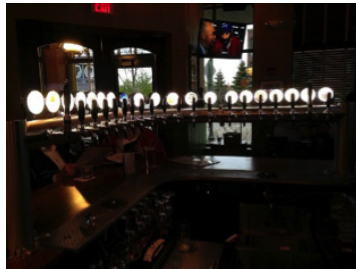
<u>ITEM</u>	<u>PART NO</u>	<u>DESCRIPTION</u>
1.	24222	-LOCKING RING
2.	70225	-PISTON ASSEMBLY
3.	70534	-PISTON O-RING
4.	70221	-PISTON SPRING
5.	70513	-RETAINING RING
6.	5436-100	-CHECK VALVE
7.	70222-01	-BRONCO BODY ASSEMBLY, INCLUDES RING AND CHECK VALVE (ITEMS 5 & 6)
8.	440-1903	-BEER SEAL
9.	70227	-AIR SEAL
10.	70217-02	-PROBE ASSEMBLY
11.	70220	-COUPLER NUT
12.	70228	-COUPLER BODY O-RINGS
13.	70216	-COUPLER BODY
14.	24253	-BOTTOM SEAL
15.	70219	-HANDLE HINGE PIN
16.	70218-02	-HANDLE ASSEMBLY, BLACK
17.	70503	-HOSE AND FAUCET ASSEMBLY
18.	70502	-FAUCET ONLY

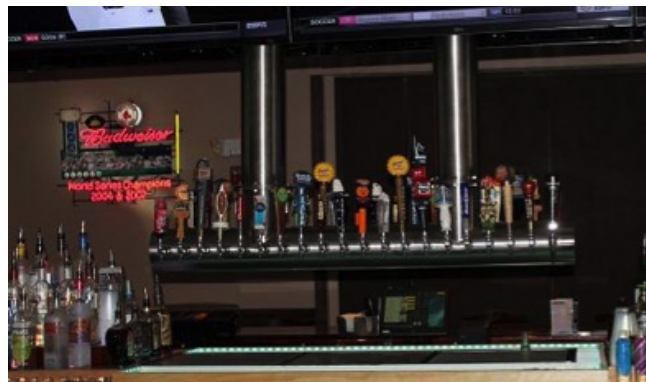


# CUSTOM TOWER CONFIGURATIONS

77

FOR CUSTOM TOWER CONFIGURATIONS PLEASE CALL: 800-779-8488





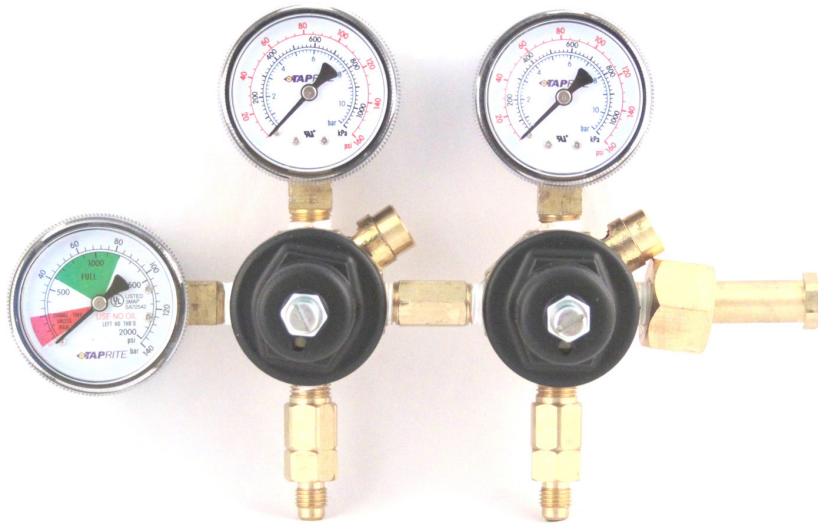


Index.....	79
Regulators .....	80-84
Primary .....	81
Wall Mount.....	82
Secondary .....	83
Accessories .....	84
BIB Racks.....	85-91
Inclined with Louvered Panels.....	86
Inclined with Hole Panels .....	87
Flat, Vertical with Louvered Panels .....	88
Flat, Vertical with Hole Panels .....	89
Accessories .....	90-91
Ice Chests .....	92-95
Soda Carbonation Tester.....	96-97
Hoses, Nipples, Diaphragm & Capsule Seat Assemblies.....	98-99
Detailed Product Exploded Views.....	100-104
Policies and Procedures.....	105
Warranty Information.....	106

Not responsible for typographical or photographic errors.  
© July 2015 Taprite. All rights reserved.

***Taprite is committed in meeting and exceeding the highest standards.***







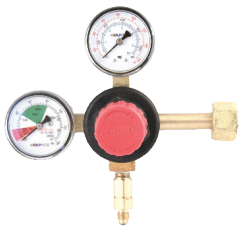
Taprite Regulators have the highest flow rate in the industry! Robust design delivers performance, reliability, and is unlikely to experience freeze up issues. Extremely durable and user friendly, polycarbonate bonnets make adjustments a snap! Pull the cap to adjust the pressure and push back to lock it in.



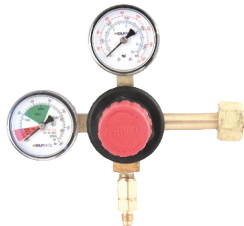
**3741**  
(Zinc Bonnet)



**3752**



**T5741PMHP**



**T5741PMHPB**

## PRIMARY REGULATORS

MODEL #	DESCRIPTION	PK
<b>3741</b>	1P x 1P, 160lb. & 2000lb. gauge, CO <sub>2</sub> tank fitting, 1/4" flare with check valve outlet, black zinc bonnet	<b>8</b>
<b>3741EN-01</b>	Primary Soda Regulator, 1P1P, Euro Inlet Fittings (30MM Nut), 1/4" Barb w/Check Outlet, 160lb & 2000lb Gauges	<b>8</b>
<b>3752</b>	2P x 2P, 160lb. & 2000lb. gauge, CO <sub>2</sub> tank fitting, 1/4" flare with check valve outlet, black zinc bonnet	<b>8</b>
<b>T5741PMHP</b>	1P X 1P, 160lb & 2000lb gauge, 1/4" flare with check valve, red cap	<b>8</b>
<b>T5741PMHPB</b>	1P X 1P, 160lb & 2000lb gauge, 1/4" flare with check valve, blue cap	<b>8</b>
<b>T5741PMHPBK</b>	1P X 1P, 160lb & 2000lb gauge, 1/4" flare with check valve, black cap	<b>8</b>

**CONTINUE**

### THE TAPRITE ADVANTAGE

- High CO<sub>2</sub> volumetric flow ensures product dispensing continuity while maintaining constant high flow of CO<sub>2</sub> as the tank discharges
- UL approved
- Polycarbonate bonnet eliminates tools for fast and accurate adjustments
- Service friendly - main components are accessible from the front for replacement
- 10 Micron Filter at the inlet port to keep contaminants out of the regulator
- Fewer parts to manage

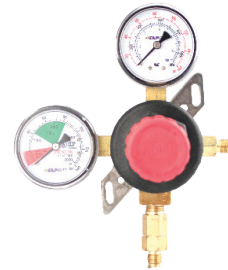
Questions? Contact us at [sales@taprite.com](mailto:sales@taprite.com)

## PRIMARY REGULATORS CONTINUED

MODEL #	DESCRIPTION	PK
T5741PMHPT	Primary Beer Regulator, 1P1P, High Pressure, CGA320 Inlet, 5/16" Barb Shut-off Outlet w/Check, 160lb and 2000lb Gauges, Red Cap	8
T5741PMHPBK-01	Primary Soda Regulator, 1P1P, CGA320 Inlet, 1/4" Barb Shut-off w/Check, 160lb and 2000lb Gauges, Black Bonnet	8
T5745HPBK	1P X 5P, 160lb & 2000lb gauge, (5) X 1/4" flare with check valve (vertical manifold), red cap	8
T5752HP-02	2P x 2P, 160LB & 2000LB gauge, 1/4" flare with check valve, red cap	8



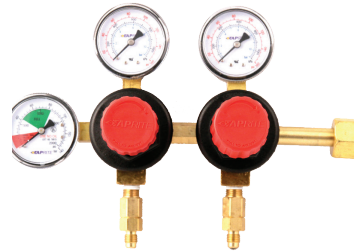
T5741PMHPBK



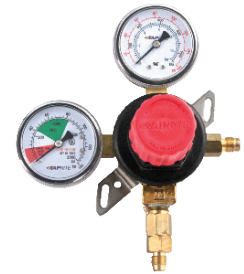
T5741WMHP-6

## WALL MOUNT REGULATORS

MODEL #	DESCRIPTION	PK
T5741WMHP	1P X 1P, 160lb & 2000lb gauge, 1/4" flare inlet, 1/4" flare with check valve, red cap	8
T5741WMHP-3	1P X 1P, 160lb & 2000lb gauge, 1/4" flare inlet, 1/4" flare with check valve, red cap, 3 foot hose with CO <sub>2</sub> tank fitting	1
T5741WMHP-6	1P X 1P, 160lb & 2000lb gauge, 1/4" flare inlet, 1/4" flare with check, red cap, 6 foot hose with CO <sub>2</sub> tank fitting	1
T8861-6B	2P X 2P, ual body primary regulator, wall mount with 6 ft. hose, blue poly bonnet	1



T5752HP-02

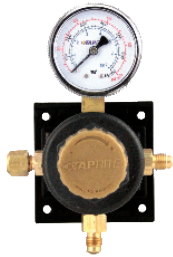


T5741WMHP

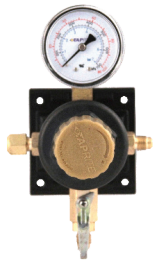


T8861-6B

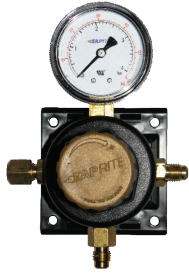




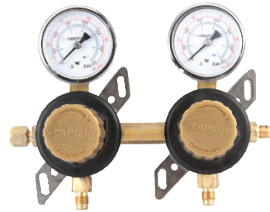
**T5261SN**



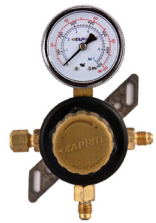
**T5261ST**



**T5261SN60**



**T5272SN**



**T5261SNBK**



**T5272SNG**



**T5261SND**

MODEL #	DESCRIPTION	PK
<b>T5261SN</b>	1P X 1P, 100lb gauge, 1/4" flare inlet, 1/4" flare check valve outlet, gold cap	8
<b>T5261SN60</b>	1P X 1P, 60lb gauge, 1/4" flare inlet, 1/4" flare check valve outlet, gold cap	8
<b>T5261SNBK</b>	1P X 1P, 100lb gauge, 1/4" flare inlet, 1/4" flare with check valve out, black cap	8
<b>T5261SNBL</b>	1P x 1P, 100lb gauge, 1/4" flare inlet/thru, 1/4" flare with check valve outlet, blue cap	8
<b>T5261SND</b>	1P X 1P, 30lb gauge, 1/4" flare inlet, 1/4" flare with check valve outlet, gold cap	8
<b>T5261ST</b>	1P X 1P, 100lb gauge, 1/4" flare inlet, 1/4" flare with shutoff outlet, gold cap	8
<b>T5272SN</b>	2P X 2P, 100lb gauge, 1/4" flare inlet/out, 1/4" flare with check valve outlet, metal brackets, gold cap	1
<b>T5272SNG</b>	2P X 2P, 100lb gauge, 1/4" flare inlet/thru, 1/4" flare with check valve outlet, glide brackets, gold cap	8
<b>T5272SN-375</b>	2P X 2P, 160lb gauge, 3/8" flare outlet, 1/4" flare check valve outlet, gold cap	8
<b>T5276SND</b>	2P X 2P, 100lb & 30lb gauges, 1/4" barb inlet/outlet + vertical manifold (4 barbs+ 1 flare), metal brackets, gold cap	8

## GAUGES

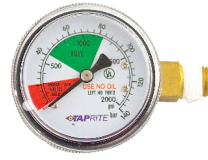
MODEL #	DESCRIPTION	PK
<b>5602</b>	0-30 PSI, 1/4" NPT, right hand thread	10
<b>5603</b>	0-3000 PSI, 1/4" NPT, right hand thread	10
<b>5605</b>	0-160 PSI, 1/4" NPT, right hand thread	10
<b>624</b>	0-60 PSI, 1/4" NPT, right hand thread	10
<b>624-1</b>	0-60 PSI, 1/4" NPT, right hand thread	10
<b>6603</b>	Gauge 0-3000 PSI, 1/4" NPT, left hand thread	10
<b>6603-2000</b>	Gauge 0-2000 PSI, 1/4" NPT, left hand thread	10

# 84

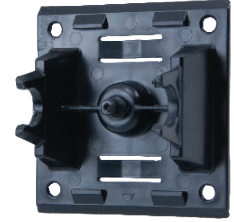
# REGULATOR PARTS & ACCESSORIES

## GAUGE MOUNTING/PARTS AND PROTECTION

MODEL #	DESCRIPTION	PK
08-1080-00	Plastic glide bracket for regulator	1
43-0006-00	Metal bracket kit contains stainless steel bracket, bolt and lock wash	1
600GPS-01	Gauge protection boot for use with primary or secondary regulator guages	10
744GP	Metal regulator gauge protector painted black (1-piece, welded)	1
2406-11	Tank Nipple Inlet O-Ring, .424ID x .103CS 70DURO	25
440-17R	Flat Ring Seal for CO <sub>2</sub> Inlet	25
440-18	Bonnet and CO <sub>2</sub> Nut Wrench, 1 1/8" x 1 5/16" for Zinc Bonnet Regulators	1
440-19	Bonnet and CO <sub>2</sub> Nut Wrench, 1 1/8" x 1 5/8" for Poly Bonnet Regulators	1
740-28-30	CO <sub>2</sub> Nut Wrench for 28MM and 30MM Tank Fittings	1



6603-2000



08-1080-00



744GP



600GPS-01

## REPAIR KITS

MODEL #	DESCRIPTION	PK
3740-17	Regulator Repair Kit for 3700 Series CO <sub>2</sub> Regulators, with Diaphragm, Capsule, and O-Ring Tank Seal	1
7740-15	Regulator Repair Kit for 2" Diaphragm, CO <sub>2</sub> Regulators, with Diaphragm, Capsule, and Flat Tank Seal	1



1690-3S



7740-15



43-0006-00



1690-2N-1



5602



624



5605



624-1



6603



740-28-30





1-BIFJG



2-BPM6FJG

- Available in 1, 2, 3-Box Wide racks with top pump mounts and top shelves
- Syrup Pumps and Regulators (with glide brackets) slide securely onto panel louvers without hardware or tools

- Powder-coated steel tubing provides durable surface protection that is environmentally friendly and won't discolor
- Compatible footprint with other Taprite BIB Racks
- ETL Listed (NSF Std 2 Compliant)



2-BIFJG



3-BPM8FJG



3-BIFJG



1-BTSFJG



2-CPMFJG



2-BTSFJG



3-BTSFJG

BIB RACKS – INCLINED WITH LOUVERED PANELS

MODEL #	DESCRIPTION	PK
1-BIFJG	1 Box Wide Inclined Shelf (15"W X 17"D X 12"H)	4
2-BIFJG	2 Box Wide Inclined Shelf (27"W X 17"D X 12"H)	4
3-BIFJG	Box Wide Inclined Shelf (39"W X 17"D X 12"H)	4
1-BPM4FJG	1 Box Wide, 4 Pumps (15"W X 24"H)	4
2-BPM6FJG	1 Box Wide, 4 Pumps (15"W X 24"H)	4
3-BPM8FJG	3 Box Wide, 8 Pumps (39"W X 24"H)	1
1-BTSFJG	1 Box Wide Top Shelf (15"W X 17"D X 8½"H)	2
2-BTSFJG	2 Box Wide Top Shelf (27"W X 17"D X 8½"H)	2
3-BTSFJG	3 Box Wide Top Shelf (39"W X 17"D X 8½"H)	2
2-CPMFJG	2 Box Wide Center Pump Mount with Glide (27"W X 17"D X 15 ½"H) non-removable panel	1
3-CPMFJG	3 Box Wide Center Pump Mount with Glide (39"W X 17"D X 15 ½"H) non-removable panel	1

Please contact us regarding BIB Rack Assembly options!

- Available in 1, 2, 3-Box Wide racks with top pump mounts and top shelves
- Pump Panels have 1/8" holes instead of slots
- Hole patterns accommodate all major pumps and components

- Powder-coated steel provides durable surface protection and is environmentally friendly
- Compatible footprint with other Taprite BIB Racks
- ETL Listed (NSF Compliant)



**3-CPMFJG**



**3-BPM8FJ**

## BIB RACKS – INCLINED WITH HOLE PANELS

MODEL #	DESCRIPTION	PK
<b>1-BIFJ</b>	1 Box Wide Inclined Shelf (15"W X 17"D X 12"H)	<b>4</b>
<b>2-BIFJ</b>	2 Box Wide Inclined Shelf (27"W X 17"D X 12"H)	<b>4</b>
<b>3-BIFJ</b>	3 Box Inclined Shelf (39"W X 17"D X 12"H)	<b>4</b>
<b>1-BPM4FJ</b>	1 Box Wide Top Mount Double, 4 Pumps (15"W X 24"H)	<b>4</b>
<b>2-BPM6FJ</b>	2 Box Wide Top Mount Double, 6 Pumps (27"W X 24"H)	<b>4</b>
<b>3-BPM8FJ</b>	3 Box Wide Top Mount Double, 8 Pumps (39"W X 24"H)	<b>4</b>
<b>1-BTSFJ</b>	1 Box Wide Top Shelf (15"W X 17"D X 8 1/2"H)	<b>2</b>
<b>C2-BTSFJ</b>	2 Box Wide Top Shelf (28"W X 17"D X 8 1/2" H)	<b>2</b>
<b>3-BTSFJ</b>	3 Box Wide Top Shelf (39"W X 17"D X 8 1/2"H)	<b>2</b>



**2-BIFJ**



**3-BIFJ**



**1-BPM4FJ**



**1-BTSFJ**



**2-BPM6FJ**



**C2-BTSFJ**



**3-BTSFJ**

**Note: Bulk packaged options available**

**Please contact us regarding BIB Rack Assembly options!**



Questions? Contact us at [sales@taprite.com](mailto:sales@taprite.com)



2-BVFFJG



C2-BTSFJG



3-BVFFJG



3-BTSFJG



C2-BPM6FJG



3-CPMVFJG



3-BPM8FJG

- Louvered panels accommodate latest Pump Mount Glide Brackets
- Front/Back supports are 3/16" X 1" flat, no end caps required
- Front/Back supports have holes for routing tubing
- Holds 3 boxes (vertically positioned) per shelf
- All rack and accessories are powder-coated black
- ETL Listed (NSF Std 2 Compliant)

### BIB RACKS – FLAT, VERTICAL WITH LOUVERED PANELS

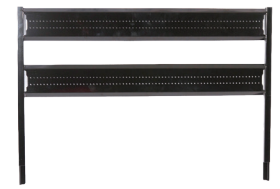
MODEL #	DESCRIPTION	PK
2-BVFFJG	2 Box Wide Vertical Flat with Glide (28"W X 17"D X 14"H)	3
3-BVFFJG	3 Box Wide Vertical Flat with Glide (39"W X 17"D X 14"H) Holds 3 boxes (flat) or 4 boxes (on end)	3
C2-BPM6FJG	2 Box Wide Dual Bar Top Mount, 6 pump capacity, with glide panels (28"W X 24"H)	4
3-BPM8FJG	3 box Wide Dual Bar Top Mount, 8 pump capacity, with glide panels (39"W X 24"H)	4
C2-BTSFJG	2 Box Wide Top Shelf with Glide (28"W X 17"D X 8 1/2"H)	2
3-BTSFJG	3 Box Wide Top Shelf with Glide (39"W X 17"D X 8 1/2"H)	2
3-CPMVFJG	3 Box Wide Vertical Center Pump Mount with Glide (39"W X 17"D X 17 1/2"H) with removable panel	1
2-BFFJG	BIB Rack, 2 Box Wide, Flat Shelf, w/Glides, 28 W X 17"D X 11"H, 120lb Weight Capacity	1



- Pump Panels have 1/8" holes instead of slots
- Front/Back supports 3/16" X 1", no end caps required
- Front/Back supports have holes for routing tubing
- Holds 3 boxes (vertically positioned) per shelf
- All rack and accessories are powder-coated black
- ETL Listed (NSF Std 2 Compliant)



2-BVFFJ



3-BPM8FJ

## BIB RACKS – FLAT, VERTICAL WITH HOLE PANELS

MODEL #	DESCRIPTION	PK
2-BVFFJ	2 Box Wide Vertical Flat Shelf (28"W X 17"D X 14"H) Holds 2 Boxes (on side) or 3 Boxes (flat)	3
3-BVFFJ	3 Box Wide Vertical Flat Shelf (39"W X 17"D X 14"H) Holds 3 Boxes (flat) or 4 Boxes (on end)	3
C2-BVPM6FJ	2 Box Wide Top Mount-Double, 6 Pumps (28"W X 24"H)	4
3-BPM8FJ	3 Box Wide Top Mount-Double, 8 Pumps (39"W X 24"H)	4
C2-BTSFJ	2 Box Wide Top Shelf (28"W X 17"D X 8 1/2"H)	2
3-BTSFJ	3 Box Wide Top Shelf (39"W X 17"D X 8 1/2"H)	2
1-BFFJ	BIB Rack, 1 Box Wide, Flat Shelf, w/Holes, 15"W X 17"D X 11"H, 60lb Weight Capacity	1
2-BFFJ	BIB Rack, 2 Box Wide, Flat Shelf, w/ Holes, 28"W X 17"D X 11"H, 120lb Weight Capacity	1
3-BFFJ	BIB Rack, 3 Box Wide, Flat Shelf, w/ Holes, 39"W X 17"D X 11"H, 180lb Weight Capacity	1



3-BTSFJ



C2-BTSFJ



3-BVFFJ

Please contact us regarding BIB Rack Assembly options!



# 90 BIB ACCESSORIES

Taprite offers a complete line of accessories for your BIB rack setups. Taprite accessories make it easier to adjust any setup for more convenient handling.



**2-PB**



**50-1020-00**



**3-PB**



**04-1001-00**



**CH-220**



**04-1002-00**



**CH-50-20**



**RC-1**

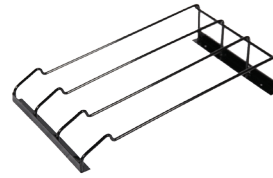
## BIB ACCESSORIES

MODEL #	DESCRIPTION	PK
2-PB	Pump Board (4" H X 11"W) for 2 Flojet pumps with installation screws	1
3-PB	Pump Board (4"H X 18"W) for 3 Flojet pumps with installation screws (4"H X 18"W)	1
CH-220	Cylinder holder for 20lb with positive latch-type lock; mounts on wall, BIB rack, or truck bed. (17" X 16 3/4" X 8 3/4"), powder-coated black	1
CH-50-20	CO <sub>2</sub> Cylinder holder for 50 lb or 20 lb with positive latch-type lock; mounts on wall or rack. (21" X 4 " X 9 3/8"), powder-coated black	1
50-1020-00	Black 2" plastic connectors for stacking BIB shelves	4
50-0036-00	BIB connectors for attaching pump mounts, 4", gray nylon	4
04-1001-00	BIB Caster	1
04-1002-00	Locking Brake for BIB caster	1
50-1019-00	Black plastic end caps	4
ISA-1FJ	Incline adapter for converting flat shelf to incline shelf, powder-coated black	1
ISA-2FJ	Incline shelf adapter to mount on top of counter or on any flat shelf, powder-coated black	1
RC-1	3ft restraining chain for CO <sub>2</sub> cylinders. Holds 20lb or 50lb cylinders to BIB rack	1

Please contact us regarding BIB Rack Assembly options!

## BIB ACCESSORIES

MODEL #	DESCRIPTION	PK
RL-1	Adjustable leveler for BIB rack, 3/8" to 1 1/4"	1
PR#517	FloJet Pump with tube and Coca-Cola connector	1
RC-1S	CO <sub>2</sub> Restraining Chain 3' with clip	1
CM-1FJ	Mount for Lancer and McCann carbonators; mounts on wall or shelf. (13 3/4" X 19" X 13 1/4")	1
CM-3FJ	Mount for Lancer and McCann carbonators. Stands on floor or can be mounted on wall. (8" X 19 1/4" X 12 1/4"), powder-coated black	1
36-0133-00	Oetiker Clamp #13.3	100/box
36-0170-00	Oetiker Clamp #17.0	100/box
C2-SFFJ	Spacer Frame for 2-BFFJ (17"D X 28"L X 11"H)	4/box
C3-SFFJ	Spacer Frame for 3-BFFJ (17"D X 39"L X 11"H)	4/box



ISA-2FJ



CM-1FJ



RL-1



CM-3FJ



36-0170-00



36-0133-00

Please contact us regarding BIB Rack Assembly options!  
 Questions? Contact us at [sales@taprite.com](mailto:sales@taprite.com)



RC-1S



## KEEP IT COOL WITH TAPRITE ICE CHESTS!

- All stainless steel construction
  - Guaranteed void-free, foamed-in-place insulation
  - Available with sealed-in 7,8,9 circuit cold plates
- Ice chests available in free-standing and drop-in sizes; includes 60lb, 80lb, and 100lb capacities.

### FREE STANDING

OPTIONS	ICE CAPACITY	A	B	C	D
1522	60lbs	22"	15"	14 1/4"	19 1/4"
2123	80lbs	23"	21"	14 1/4"	19 1/4"
2123	100lbs	23"	21"	18 1/4"	15 1/4"

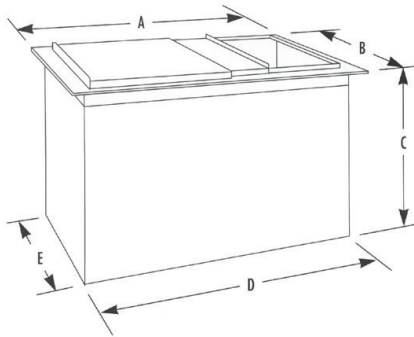
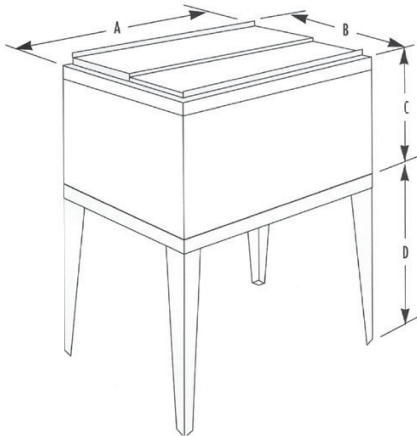
### DROP-IN

OPTIONS	ICE CAPACITY	A	B	C	D	C
1522	60lbs	23 7/8"	16 7/8"	14 1/4"	22"	15"
2123	80lbs	24 3/4"	22 3/4"	14 1/4"	23"	21"
2123	100lbs	24 3/4"	22 3/4"	18 1/4"	23"	21"

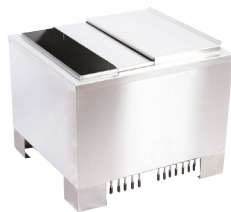
### FREE STANDING

*\*Stainless steel construction; complete with lids*

MODEL #	DESCRIPTION	ICE CAPACITY
FS-1522-7	15" X 22" Ice chest with 7 circuit pre-mix cold plate	60 lbs
FS-1522-8	15" X 22" Ice Chest with 8 circuit post-mix cold plate	60 lbs
FS-2123-7	21" X 23" Ice Chest with 7 circuit pre-mix cold plate	80 lbs
FS-2123-9	21" X 23" Ice Chest with 9 circuit post-mix cold plate	80 lbs
FS-2123-9-100	21" X 23" Ice Chest with 9 circuit post-mix cold plate	100 lbs



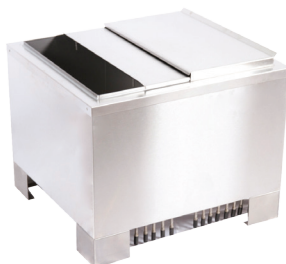
FS-1522-7



FS-2123-7



FS-1522-8



FS-2123-9



FS-2123-9-100

## DROP-IN

*\*Stainless steel construction; complete with lids*

MODEL #	DESCRIPTION
DI-1522-7	15" X 22" Ice Chest with 8 circuit post-mix cold plate Ice Capacity - 60 lbs
DI-1522-8	15" X 22" Ice Chest with 8 circuit post-mix cold plate Ice Capacity - 60 lbs
DI-2123-7	21" X 23" Ice Chest with 7 circuit pre-mix cold plate Ice Capacity - 80 lbs
DI-2123-9	21" X 23" Ice Chest with 9 circuit post-mix cold plate Ice Capacity - 80 lbs
DI-2123-9-100	21" X 23" Ice Chest with 9 circuit post-mix cold plate Ice Capacity - 100 lbs



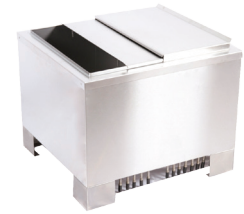
DI-1522-7



FS-1522-8LS



DI-1522-8



FS-2123-9LS

## FREE STANDING COMBO KITS

*\*Note: Ice chests in combo kits are NSF approved.*

MODEL #	DESCRIPTION
FS-1522-8LS	Free Standing 1522, 8 circuit, PSMX with knock-down leg stand (one box)
FS-2123-9LS	Free Standing 2123, 9 circuit, PSMX with knock-down leg stand (one box)



DI-2123-7



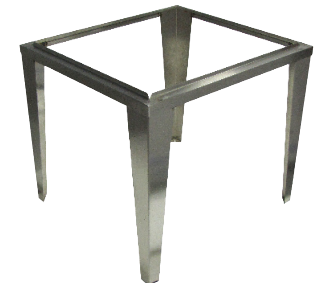
LS-1522-KD

## LEG STANDS

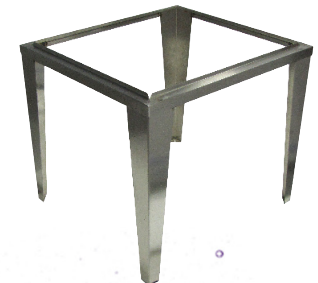
MODEL #	DESCRIPTION
LS-1522-KD	15" x 22" Knock-Down leg stand
LS-2123-KD	21" x 23" Knock-Down leg stand
LS-2123-100	21" x 23" Welded leg stand - 100lb capacity



DI-2123-9



LS-2123-KD



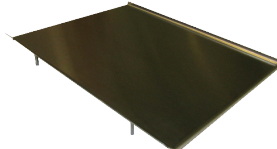
LS-2123-100



TAPRITE OFFERS A WIDE RANGE OF  
QUALITY ICE CHEST ACCESSORIES!



20-7728-00



20-8728-00



20-8729-00



20-7729-00



SP-2323



TF1522



22-2323-20

MODEL #	DESCRIPTION	PK
20-7728-00	Bottom lid for 2123 chest with cold plate	1
20-7729-00	Top lid for 2123 chest with cold plate	1
20-8616-00	Top lid for 1522 chest without cold plate (Ice-Tainer)	1
20-8617-00	Bottom lid for 1522 chest without cold plate (Ice-Tainer)	1
20-8728-00	Bottom lid for 1522 chest with cold plate	1
20-8729-00	Top lid for 1522 chest with cold plate	1
22-2323-20	Stainless Steel Conversion Stand for 23"X 23" Drop-In to Free-Standing Unit with 6" adjustable legs and removable access panel. (36"H X 25"W X 25"L)	1
22-2230-00	Stainless Steel Ice Beverage Dispensing Stand for Ice Drink Combos with 6" adjustable legs. (36"H X 22"W X 30 1/2"L)	1
SP-1522	Conversion Stand spacer plate 1522; Drop-In and Conversion Stands. (no tower)	1
SP-2323	Conversion Stand spacer plate 2123; Drop-In and Conversion Stands. (no tower)	1
TF1522	Ice Shield for 1522 ice chests with coldplate	1







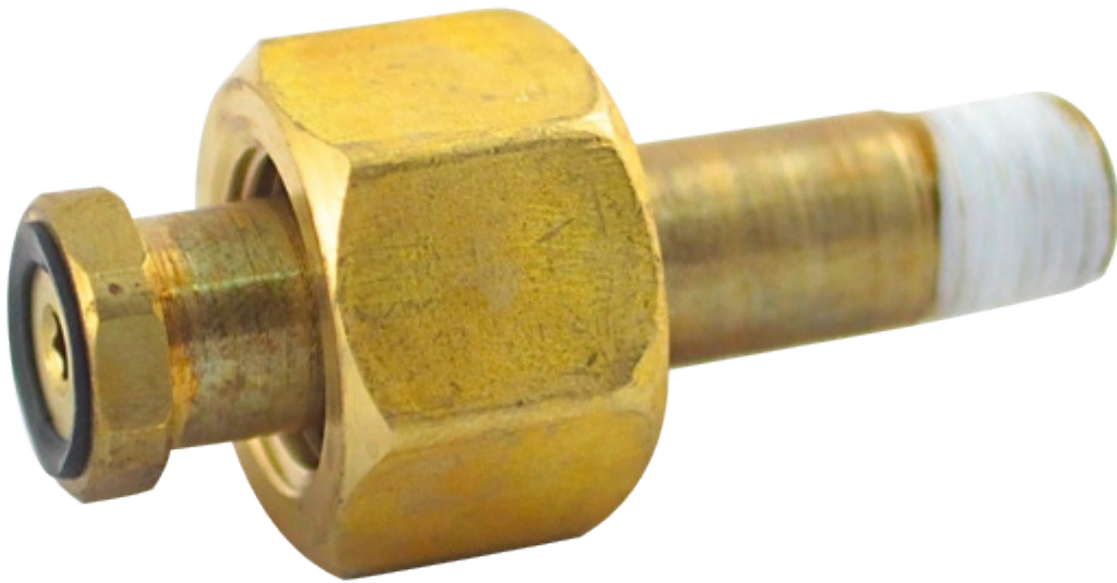
The Taprite CO<sub>2</sub> Carbonation Tester is a great maintenance tool when carbonation levels need to be checked. Simply sample the soda in the canister, record the pressure and temperature, then cross-reference the data on the easy-to-read table.

## SODA CARBINATION TESTER 2701G

- A must use for your maintenance program!
- Black anodized aluminum cap for durability
- Factory-calibrated for accuracy
- Easy-to-read carbonation table for quick diagnosis
- Gauge protection rubber boot to minimize wear & tear



Questions? Contact us at [sales@taprite.com](mailto:sales@taprite.com)



## ICE CHEST ACCESSORIES



440-12



740-12N



740-12



740-19



7000-3A

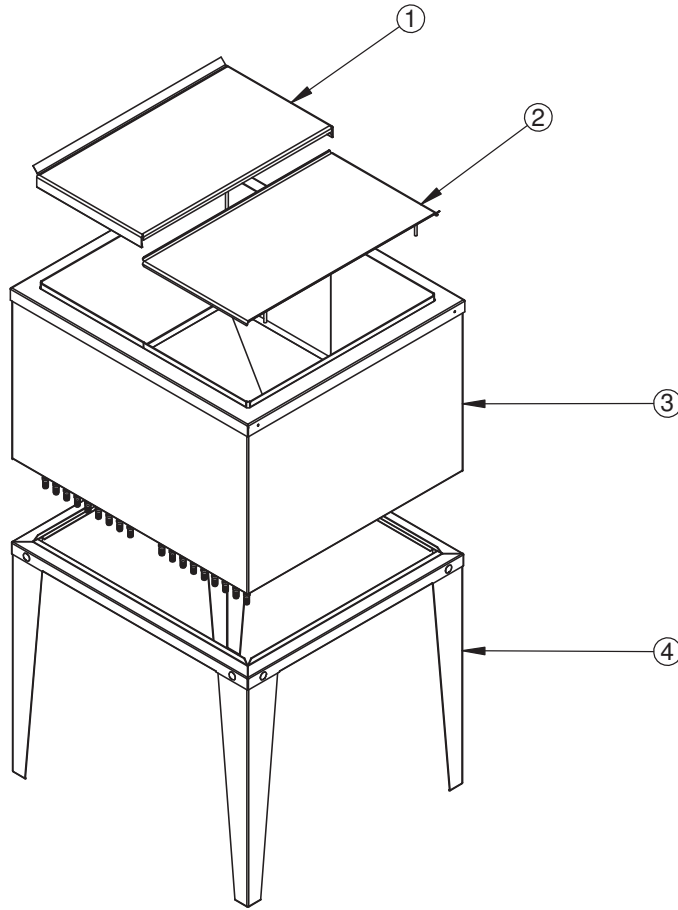


7000-6A

MODEL #	DESCRIPTION	PK
440-12	Nipple assembly, 1/4" NPT right hand X CO <sub>2</sub> , 1 1/2" long	xx
618L	Nipple 1/4" NPT right hand x 1/4" NPT left hand	xx
6618BL-2	Nipple 1/4" NPT left hand X 1/4" NPT left hand, 1 7/8" long	xx
740-12	Nipple assembly, CO <sub>2</sub> with O-ring left hand, 2 5/8" Long	1
740-12N	Nipple assembly, 3" L, for nitrogen tank, with O-ring left hand	xx
740-19	Nipple Assembly with flat seal, left hand and CO <sub>2</sub> nut	1
740-20	Nipple Assembly with O-ring, left hand and CO <sub>2</sub> nut	xx
740-19N	Nipple Assembly & Nitrogen Nut	xx
7000-3A	3 foot high pressure hose assembly, 1/4" flare female X CO <sub>2</sub>	1
7000-6A	6 foot high pressure hose assembly, 1/4" flare female (swivel) X CO <sub>2</sub>	1
7000-6NA	6 foot high pressure hose assembly, 1/4" NPT female X CO <sub>2</sub>	xx
7000-9A	9 foot high pressure hose assembly, 1/4" flare female X CO <sub>2</sub> 7500-1 Hose Assemb	xx
7500-1	Hose Assembly 18", 1/4" NPT flare female X 1/4" flare female, elbow	xx

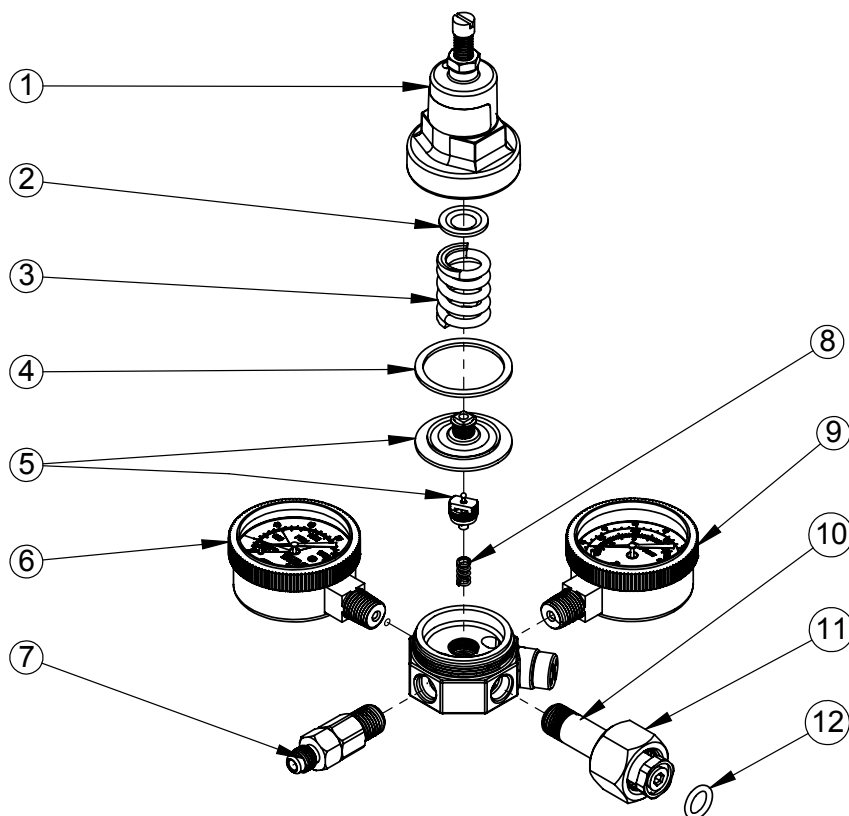
# 100 FS-2123-9LS ICE CHEST

## FS-2123-9LS FREE STANDING ICE CHEST PARTS BREAKDOWN



ITEM	PART NO	DESCRIPTION
1.	20-7729-00	-TOP LID, 2123
2.	20-7728-00	-BOTTOM LID, 2123
3.	FS-2123-9	-FREE STANDING 2123 CHEST WITH 9 CIRCUIT, POSTMIX COLD PLATE
4.	LS-2123-KD	-2123 KNOCK-DOWN LEG STAND

## 3741 REGULATOR ASSEMBLY PARTS BREAKDOWN

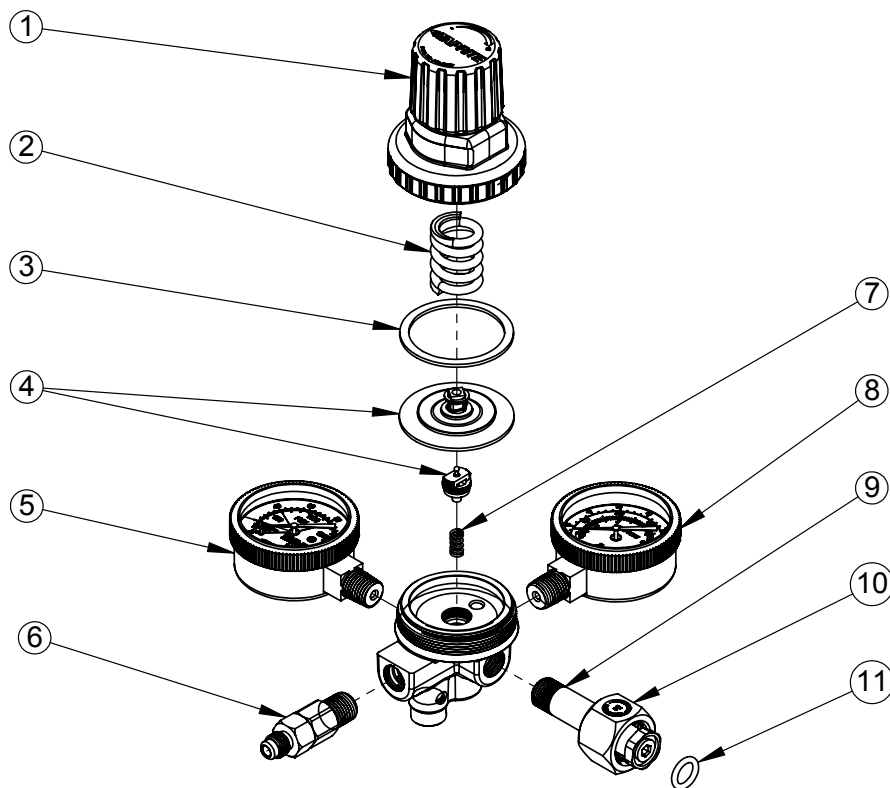


ITEM	PART NO	DESCRIPTION
1.	3740-2PA	-SMALL ZINC BONNET, BLACK
2.	***	-SPRING RETAINER
3.	***	-HIGH PRESSURE DIAPHRAGM SPRING
4.	***	-DIAPHRAGM/BONNET GASKET
5.	3740-17	-DIAPHRAGM REPAIR KIT - 1.6" BALL & SOCKET TYPE DIAPHRAGM, CAPSULE, AND O-RING (ITEM 12)
6.	6603-2000	-2000 PSI TANK GAUGE, LEFT HAND THREAD
7.	5436A	-1/4" SAE FLARE FITTING WITH BALL CHECK
8.	***	-CAPSULE SPRING
9.	5605	-160 PSI GAUGE
10.	740-12	-CO2 TANK NIPPLE, WITH O-RING, LEFT HAND THREAD
11.	440-13UD	-CO2 TANK NUT
12.	2406-11	-O-RING FOR TANK FITTING

\*\*\* NOT NORMALLY REPLACED WHEN REPAIRING REGULATOR

## T5741PMHPBK REGULATOR ASSEMBLY

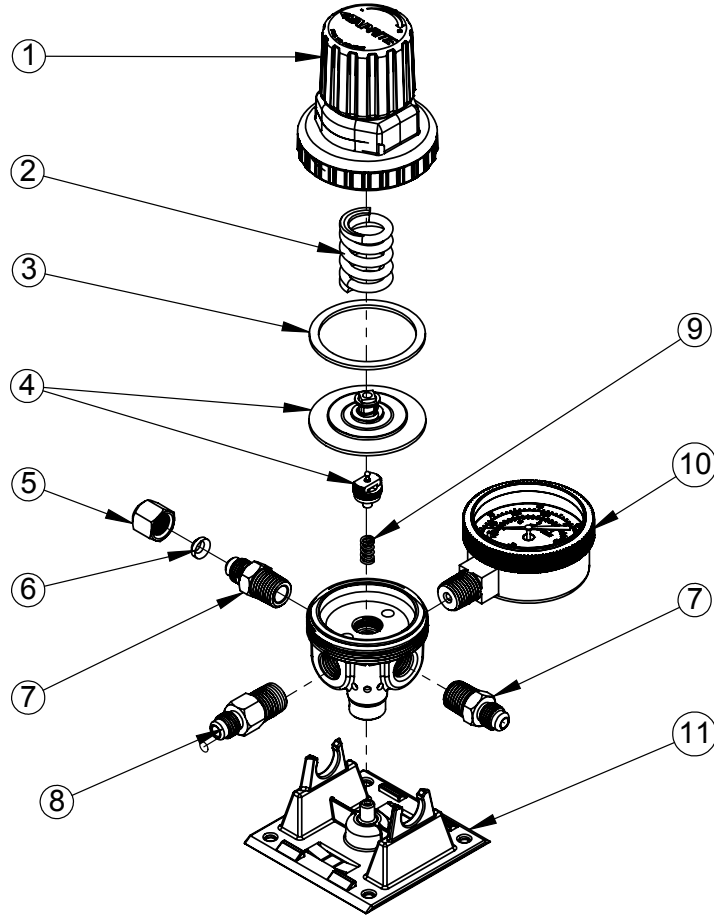
## PARTS BREAKDOWN



<u>ITEM</u>	<u>PART NO</u>	<u>DESCRIPTION</u>
1.	740-603	-POLY BONNET ASSEMBLY, BLACK CAP
2.	***	-HIGH PRESSURE DIAPHRAGM SPRING
3.	***	-DIAPHRAGM/BONNET GASKET
4.	7740-15N	-DIAPHRAGM REPAIR KIT - 2" BALL/SOCKET TYPE DIAPHRAGM, CAPSULE, AND O-RING (ITEM 11)
5.	6603-2000	-2000 PSI TANK GAUGE, LEFT HAND THREAD
6.	5436A	-1/4" SAE FLARE FITTING WITH BALL CHECK
7.	***	-CAPSULE SPRING
8.	5605	-160 PSI GAUGE
9.	740-12	-CO2 TANK NIPPLE WITH O-RING, LEFT HAND THREAD
10.	440-13UD	-CO2 TANK NUT
11.	2406-11	-O-RING FOR CO2 TANK FITTING

\*\*\* NOT NORMALLY REPLACED WHEN REPAIRING REGULATOR

## T5261SN REGULATOR ASSEMBLY PARTS BREAKDOWN

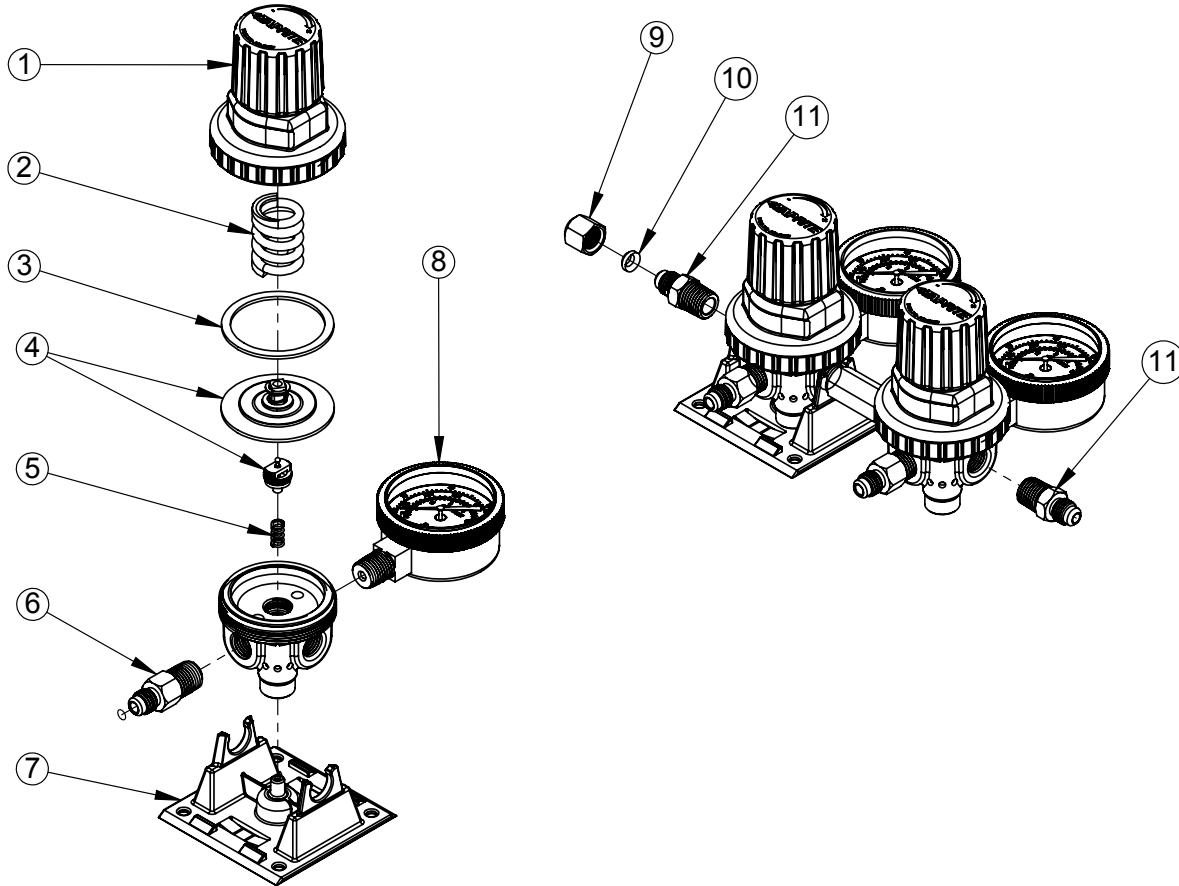


<u>ITEM</u>	<u>PART NO</u>	<u>DESCRIPTION</u>
1.	740-601	-POLY BONNET ASSEMBLY, GOLD CAP
2.	***	-HIGH PRESSURE DIAPHRAGM SPRING
3.	***	-DIAPHRAGM/BONNET GASKET
4.	7740-15	-DIAPHRAGM REPAIR KIT - 2" BALL/SOCKET TYPE DIAPHRAGM, CAPSULE, AND FLAT SEAL
5.	5232B	-CAP, 1/4" SAE FLARE
6.	***	-FLARE WASHER
7.	5153B	-1/4" SAE FLARE FITTING
8.	5436	-1/4" SAE FLARE FITTING WITH BALL CHECK
9.	***	-CAPSULE SPRING
10.	624-1	-100 PSI GAUGE
11.	08-1080-00	-POLY BRACKET, SNAP FIT

\*\*\* NOT NORMALLY REPLACED WHEN REPAIRING REGULATOR

# 104 T5272SNG REGULATOR ASSEMBLY

## T5272SNG REGULATOR ASSEMBLY PARTS BREAKDOWN



<u>ITEM</u>	<u>PART NO</u>	<u>DESCRIPTION</u>
1.	740-601	-POLY BONNET ASSEMBLY, GOLD CAP
2.	***	-HIGH PRESSURE DIAPHRAGM SPRING
3.	***	-DIAPHRAGM/BONNET GASKET
4.	7740-15	-DIAPHRAGM REPAIR KIT - 2" BALL/SOCKET TYPE DIAPHRAGM, CAPSULE, AND FLAT SEAL
5.	***	-CAPSULE SPRING
6.	5436	-1/4" SAE FLARE FITTING WITH BALL CHECK
7.	08-1080-00	-POLY BRACKET, SNAP FIT
8.	624-1	-100 PSI GAUGE
9.	5232B	-CAP, 1/4" SAE FLARE
10.	***	-FLARE WASHER
11.	5153B	-1/4" SAE FLARE FITTING

\*\*\* NOT NORMALLY REPLACED WHEN REPAIRING REGULATOR



While many items can be shipped within 24-48 hours of order placement, the standard lead time on build-to-stock items is 5-7 business days, not including transit time. Lead time on non-stock items, custom items and other items may vary.

Complete orders received before 12:00 p.m. CST will be processed the same business day. LTL orders marked for same-day shipping must be received before noon. Small package orders marked for same-day shipping must be received before 12:00 p.m. CST. Same day shipping may not be available for TL or all LTL shipments.

Minimum order/invoice amount is \$200.00USD. Orders that do not meet the minimum are subject to a \$25.00 service fee, which will be added to the total amount invoiced.

Taprite will make every effort to ensure the accuracy of information in customer orders. We do reserve the right to make corrections or substitutions if errors occur. Prices and product specifications are subject to change without notice.

Returns unrelated to product defects may be subject to a 25% restocking fee. Such items must be returned unused, in original condition and include original packaging, documentation, warranty cards, manuals, and accessories. No special order or custom merchandise will be accepted for return. Before merchandise is returned to Taprite, for any reason, a Return Material Authorization (RMA) number must be obtained from our Customer Service Department (800-779-8488 or [sales@taprite.com](mailto:sales@taprite.com)). Please contact our Customer Service Department for further information on returns policy.

All catalogs and pricing editions produced by Taprite are for the wholesale beverage equipment trade only. All sales are strictly business-to-business.

# 106 LIMITED WARRANTY

Taprite warrants its products to be free of defects in material and or workmanship for a period of one (1) year after the purchase by the customer from Taprite. During the one (1) year period, the product must have been installed properly by a qualified technician and utilized in or on equipment compatible with said product. During the one (1) year period, Taprite will, at its option, at no charge to the customer either repair or replace the product with a new or reconditioned product, but not labor to remove or re-install the product.

This limited warranty does not include service to diagnose a claimed malfunction in this product at any location other than at Taprite headquarters, nor to repair damage due to accident or misuse, improper installation, incompatibility with chemicals or accessories not manufactured by Taprite. Claims for warranty are limited to transaction between Taprite and the original buyer of record. Consumers and/or end users who have made purchases through third parties, i.e., through resellers, should submit any claims for warranty through the original buyer of record.

All other expressed and implied warranties for this product including the warranties of merchantability and fitness for a particular purpose are hereby disclaimed. (Some jurisdictions do not allow exclusion of implied warranties, nor limitations on how long an implied warranty lasts, so the above limitations may not apply to you.)

If this product is not free from defect as warranted above your sole and exclusive remedy shall be repair or replacement as provided herein. In no event will Taprite be liable to the customer or third party for any damages in excess of the purchase price of the product. This limitation applies to damage of any kind including any direct or indirect damages, lost profits, lost investments capital or savings, other special incidental exemplary or consequential damages, whether for breach of contract, tort or otherwise, or whether arising out of the use or inability to use such product even if Taprite has been advised or the possibility of such damages or any other party.

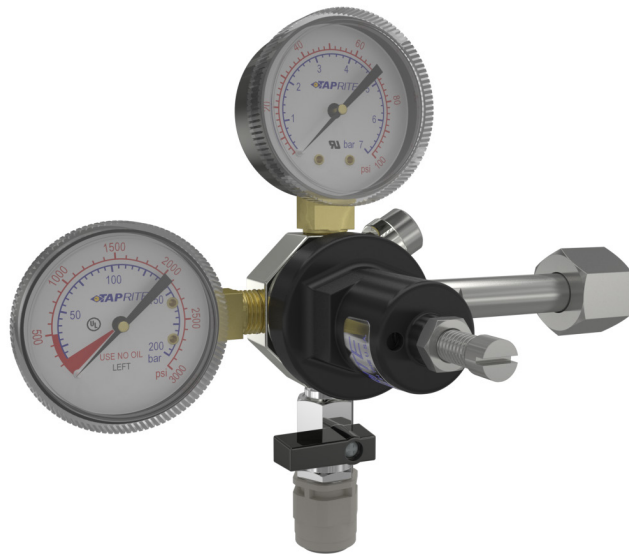
This warranty gives you your legal rights. You may also have additional rights which may vary from jurisdiction to jurisdiction.



**“Don’t risk system failures with inferior equipment! Do it right - choose Taprite!”**



*Helping Companies Profit  
From Every Pour!*



3248 Northwestern Dr.  
San Antonio, TX 78238  
sales@taprite.com  
800-779-8488  
www.taprite.com