

DRAFT BEER LINE CLEANING INSTRUCTIONS

To ensure the best taste from your beer, the beer system should be cleaned after every keg.

Your kit should include the following items:

- 1 ea: Bottle, 32 oz
- 1 ea: Hose Assembly
- 1 ea: Rubber Beer Washer
- 1 ea: Wire Brush
- 1 ea: Wire Ball Lifter
- 1 ea: Spanner Wrench

You will also need a 1 gallon minimum tub or bucket (Not included)

STEP 1:

Release all CO2 pressure from the beer system:

To do this, first turn off the valve on the CO2 tank and bleed out any remaining gas by adjusting your regulator all the way back down to 0 psi. Next release pressure from the beer supply by disconnecting the coupler (the keg tap) from the keg.

STEP 2

Drain the beer from the lines: To do this, first open the beer faucet. Next, while holding the coupler over the bucket, insert the ball lifter into the bottom of the coupler to open the ball check valve. This should drain out any beer that may be remaining in the line. (See FIGURE 1) Leave the ball lifter in the coupler for now.

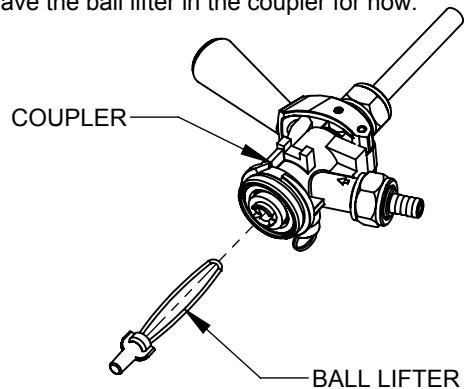


FIGURE 1

STEP 3

Mix your cleaning solution: Empty the bucket of any beer that was drained from the system. In the bucket, mix one gallon of warm water with one ounce (one tablespoon) of Beer Line Cleaner (BLC). Stir well to make sure the BLC is completely dissolved in the water. Fill up the clear bottle with the solution mix that is in the bucket and attach the hose assembly to the bottle.

STEP 4

Remove the faucet: Unscrew the faucet from the draft tower using the provided spanner wrench. (See FIGURE 2) Place the faucet in the bucket with the cleaning solution.

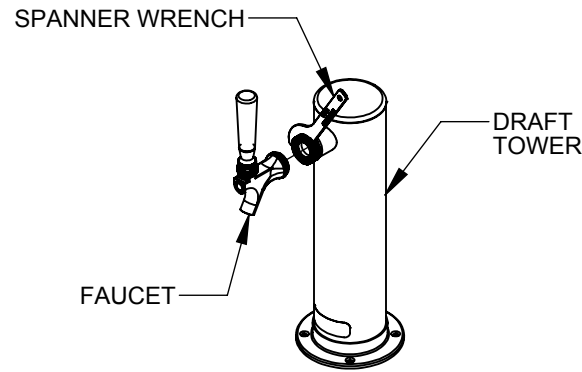


FIGURE 2

STEP 5

Flush the system: Attach the bottle and hose assembly to the draft tower. Make sure the rubber beer washer is in place. (See FIGURE 3) Tighten the hose to the tower using the spanner wrench. With the coupler once again over the bucket with the cleaning solution, lift the bottle upside down so that the cleaning solution begins to run through the lines. DO NOT SQUEEZE THE BOTTLE. Hold the bottle in this position until about half of the cleaning solution has been run through.

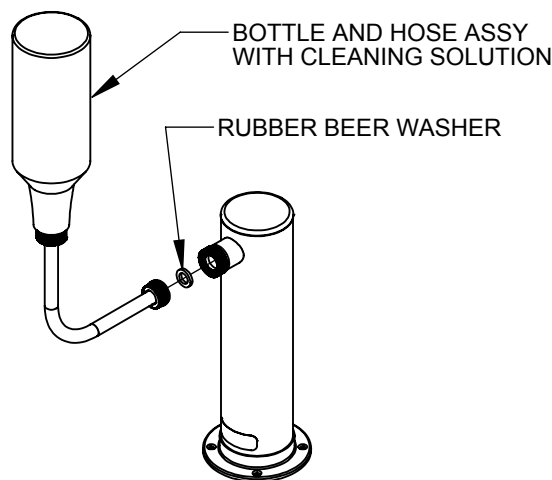


FIGURE 3

STEP 6

Soak the lines: Remove the ball lifter from the coupler and place the coupler into the bucket of cleaning solution. Once again, lift the bottle upside down until the line is full of the cleaning solution. Let the cleaning solution soak in the line for about 15-20 minutes.

STEP 7

Clean the faucet: Take apart the faucet that has been soaking in the cleaning solution. To do this unscrew the handle from the faucet. Unscrew the collar from the faucet. Unscrew the bonnet from the faucet and slide the washers and lever out. Slide the shaft out. (See FIGURE 4) Use the wire brush to thoroughly clean the inside of the faucet.

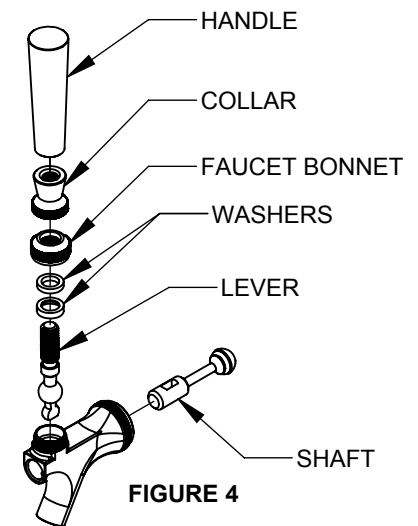


FIGURE 4

STEP 8

Rinse the system: Rinse the faucet components in clean, cool water and put it back together. After the line has soaked for the needed 15-20 minutes, insert the wire ball lifter into the coupler to drain out any cleaning solution. Empty the cleaning solution from the bottle and the bucket and rinse out. Refill the bottle with cool, clean water and re-attach to the draft tower. Lift the bottle upside down to run the entire bottle of clean water through the lines to rinse them.

STEP 9

Re-connect the system: Remove the bottle and hose assembly from the draft tower and re-attach the faucet. Remove the wire ball lifter from the coupler. Turn the CO2 back on and adjust the regulator to the proper setting (Usually between 12-14 psi). The draft beer system is now clean and ready for the next keg!

