



T&S BRASS AND BRONZE WORKS, INC.

2 Saddleback Cove / P.O. Box 1088
Travelers Rest, SC 29690

Model No.

BL-4250-01

Item No.

Travelers Rest, SC: 800-476-4103 • Simi Valley, CA: 800-423-0150 • Fax: 864-834-3518 • www.tsbrass.com



ADA Compliant

This Space for Architect/Engineer Approval

Job Name _____ Date _____

Model Specified _____ Quantity _____

Customer/Wholesaler _____

Contractor _____

Architect/Engineer _____



Snap-in Dark Blue "GAS" Index



209L-VAC
Index
(Included)

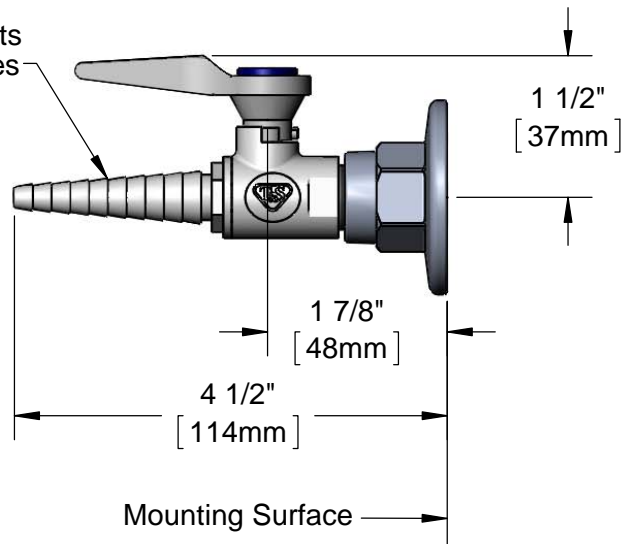


209L-AIR
Index
(Included)



Serrated Tip Accepts
1/4" to 3/8" ID Hoses

Ø 2" [51mm]
Flange w/
3/8" NPT
Female Inlet



Notes:

1. Natural Gas Pressure: 0.5 PSIG Max.
(For Natural Gas above 0.5 PSIG or Oxygen and Specialty Gases, use BL-4010-01 Gas Cock.)
2. Air Pressure: 125 PSIG Max.
3. Vacuum: 30 Inches of Mercury Max.
4. Temperature Range: 32 °F - 125 °F

Product Specifications:

Laboratory Panel Flange Hose Cock w/ "GAS," "AIR" & "VAC" Color Coded Indexes, Serrated Tip & 3/8" NPT Female Inlet

Product Compliance:

ANSI Z21.15a / CSA 9.1a
ANSI A117.1 (ADA)



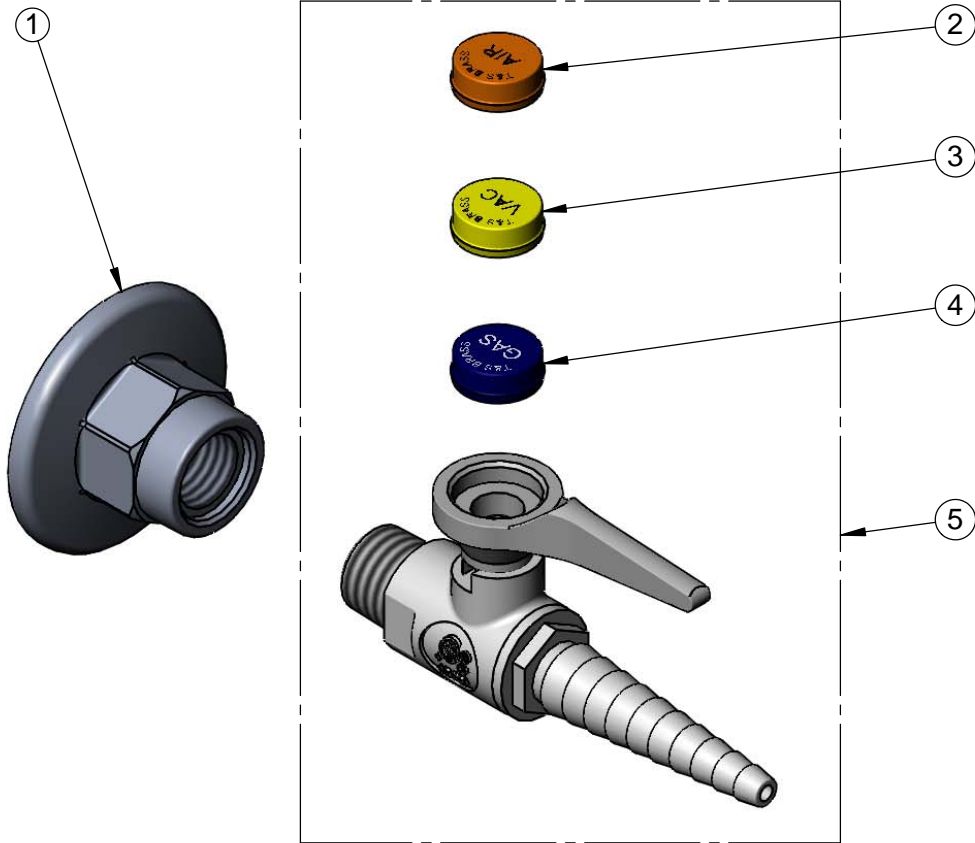
T&S BRASS AND BRONZE WORKS, INC.
 2 Saddleback Cove / P.O. Box 1088
 Travelers Rest, SC 29690

Model No.
BL-4250-01

Item No.

Travelers Rest, SC: 800-476-4103 • Simi Valley, CA: 800-423-0150 • Fax: 864-834-3518 • www.tsbrass.com

ITEM NO.	SALES NO.	DESCRIPTION
1	BL-4250-03	Flange, 3/8" NPT
2	209L-AIR	Orange AIR Snap-In Index
3	209L-VAC	Yellow VAC Snap-In Index
4	209L-GAS	Dark Blue GAS Snap-In Index
5	BL-4000-01	Ball Valve Hose Cock w/ GAS, AIR & VAC Indexes



Product Specifications:
 Laboratory Panel Flange Hose Cock w/ "GAS," "AIR" & "VAC" Color Coded Indexes, Serrated Tip & 3/8" NPT Female Inlet

Product Compliance:
 ANSI Z21.15a / CSA 9.1a
 ANSI A117.1 (ADA)