



Architect/Engineering Specifications:

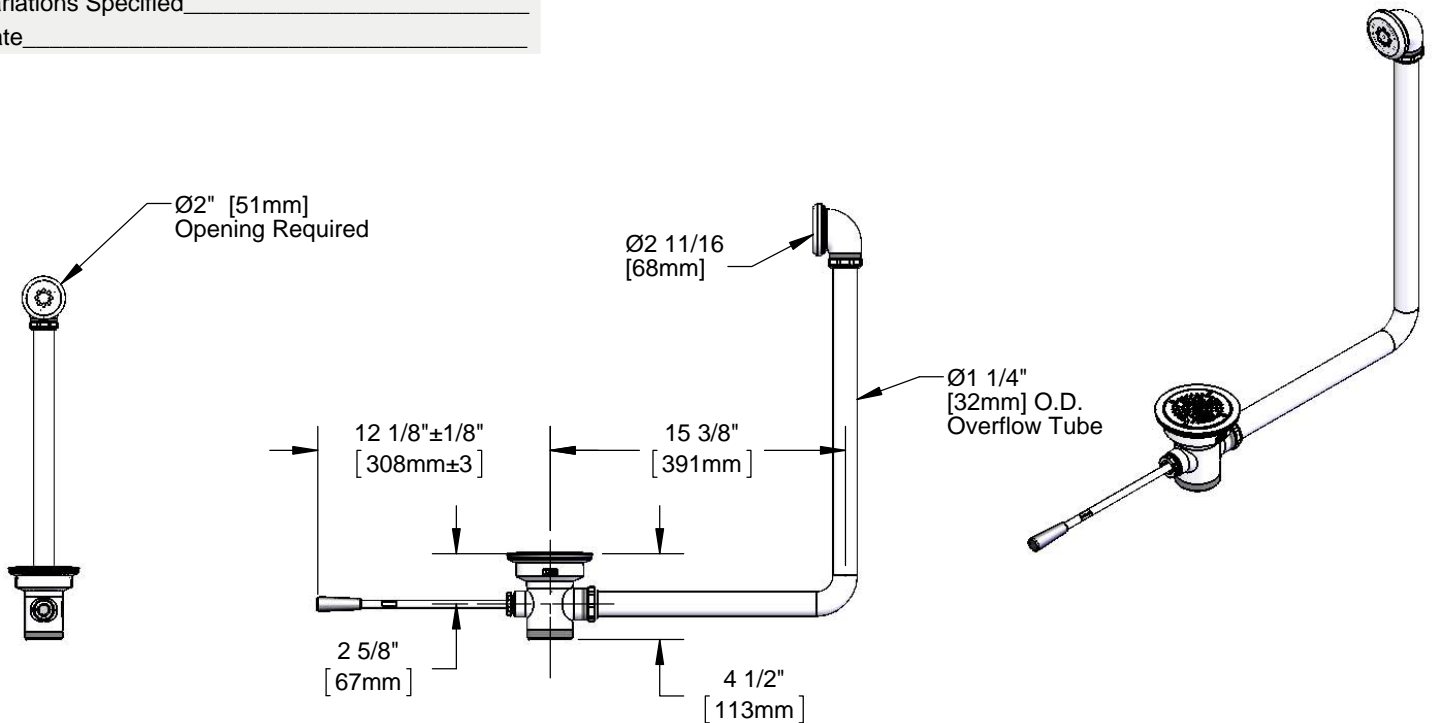
Lever waste valve for 3 1/2" sink opening with rough chrome plated body, 2" NPT male outlet / 1 1/2" NPT female outlet, lever handle with heat resistant plastic grip, 3 1/2" snap-in removable strainer and overflow tube with head assembly. Certified to ASME A112.18.2/CSA B125.2

Job Name _____

Model Specified _____ Quantity _____

Variations Specified _____

Date _____



Features & Benefits:

- Lever waste valve for 3 1/2" sink opening w/ rough chrome plated body
- 2" NPT male outlet w/ 1 1/2" NPT female outlet
- Lever handle w/ heat resistant plastic grip
- 3 1/2" snap-in removable strainer
- Overflow tube w/ head assembly
- Material: Rough chrome plated brass body and stainless steel handle & flat strainer

Product Compliance:

- ASME A112.18.2 / CSA B125.2



Warranty: One Year (Limited)

Performance Data:

- Discharge Rate: 18.00 GPM max

